

Vacuum Ejector

In-Line Type

Series ZU



◆ How to Order

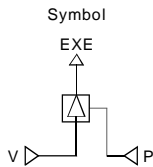
ZU **05** **S**

Maximum vacuum pressure

S	-85 kpa
L	-48 kpa

Nozzle diameter

05	0.5mm
07	0.7mm



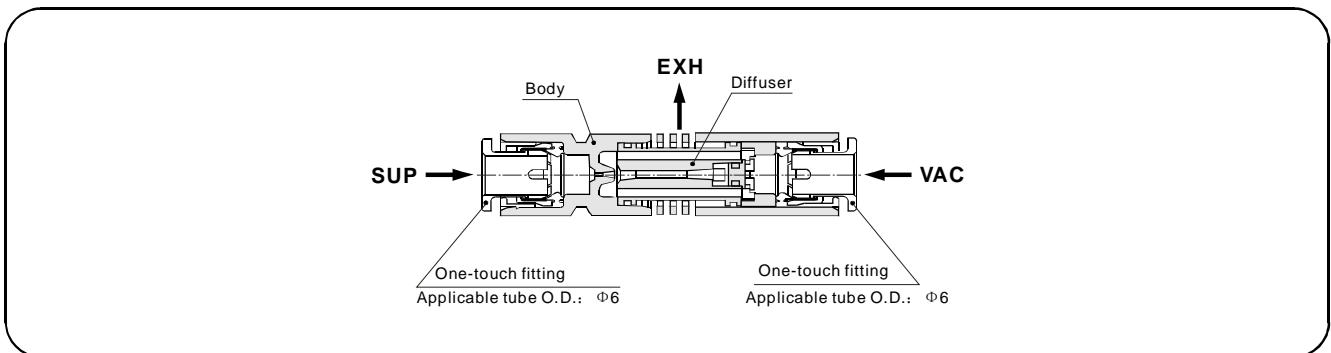
◆ Specifications

Fluid	Air
Maximum operating pressure	0.7Mpa
Standard supply pressure	0.45Mpa
Operating temperature range	5 to 60°C
Applicable tubing O.D	SUP potr: Φ6 VAC: Φ6

Type	Model	Nozzle diameter (mm) Φ	Max.vacuum pressure*(kpa)	Maximum suction flow rate(L/min(ANR))	Air consumption (L/min(ANR))	Weight(g)
High vacuum type	ZU05S	0.5	-85	7	9.5	6.5
	ZU07S	0.7	-85	12	19.0	7.0
Large flow type	ZU05L	0.5	-48	12	9.5	6.5
	ZU07L	0.7	-48	21	19.0	7.0

*Supply pressure: 0.45MPa

◆ Construction



◆ Dimensions

