

3 Port Solenoid Valve

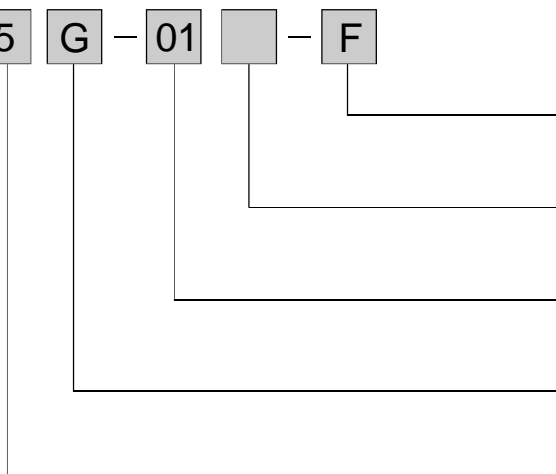
Body Ported

Series VT307



◆ How to Order

VT307 - **5** **G** - **01** **□** - **F**



Option

F	With foot bracket
----------	-------------------

Thread type

Nil	Rc	F	G	N	NPT
------------	-----------	----------	----------	----------	------------

Port size

01	1/8	02	1/4
-----------	-----	-----------	-----

Electrical entry

G	Grommet, 300 mm lead wire	H	Grommet, 600 mm lead wire
----------	---------------------------	----------	---------------------------

Rated voltage

3	110VAC, 50/60Hz	5	24VDC
4	220VAC, 50/60Hz	6	12VDC

II

VF

SY

SYJ

4V100

4V200

4V300

4V400

VT307

VP

3V

2W

2WH

2L

2V

2P

VFA

SYA

4A100

4A200

4A300

3A100

3A200

3A300

3L

4L

4H

SL,SH

4HV

HV,K

3FM

3F

4F

FV

MSV

MOV

JM

TAC

HSV

RE

ASC

KA

ACV

KS

QE

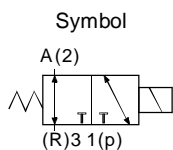
Manifold

◆ Specifications



Type of actuation	Direct operated type 2 position single solenoid
Fluid	Air
Operating pressure range	0~0.9MPa
Ambient and fluid temperature	-10~50°C (No freezing)
Response time	20 ms or less (at the pressure of 0.5MPa)
Max. operating frequency	10Hz
Lubrication	Not required (Use turbine oil Class 1 ISO VG32, if lubricated.)
Manual override	Non-locking push type
Mounting orientation	Unrestricted
Shock/Vibration resistance	150/50 (m/s ²)
Enclosure	Dustproof

◆ Solenoid Specifications



Electrical entry		Grommet	
Coil rated voltage(V)	AC(50/60Hz)	110,220	
	DC	24,12	
Allowable voltage fluctuation		-15~+10% of rated voltage	
Apparent power	AC	Inrush	12.7VA (50Hz) 10.7VA (60Hz)
		Holding	7.6VA (50Hz) 5.4VA (60Hz)
Power consumption	DC	Without indicator light: 4.8W	

◆ Flow Characteristics/Weight

Valve model	Port size	Flow characteristics												Weight
		1→2(P→A)			2→3(A→R)			3→2(R→A)			2→1(A→P)			
		C[dm ³ /(sbar)]	b	Cv	C[dm ³ /(sbar)]	b	Cv	C[dm ³ /(sbar)]	b	Cv	C[dm ³ /(sbar)]	b	Cv	
VT307	1/8	0.71	0.35	0.18	0.68	0.27	0.17	0.65	0.36	0.17	0.63	0.35	0.17	Grommet
														0.14kg

◆ Dimensions

