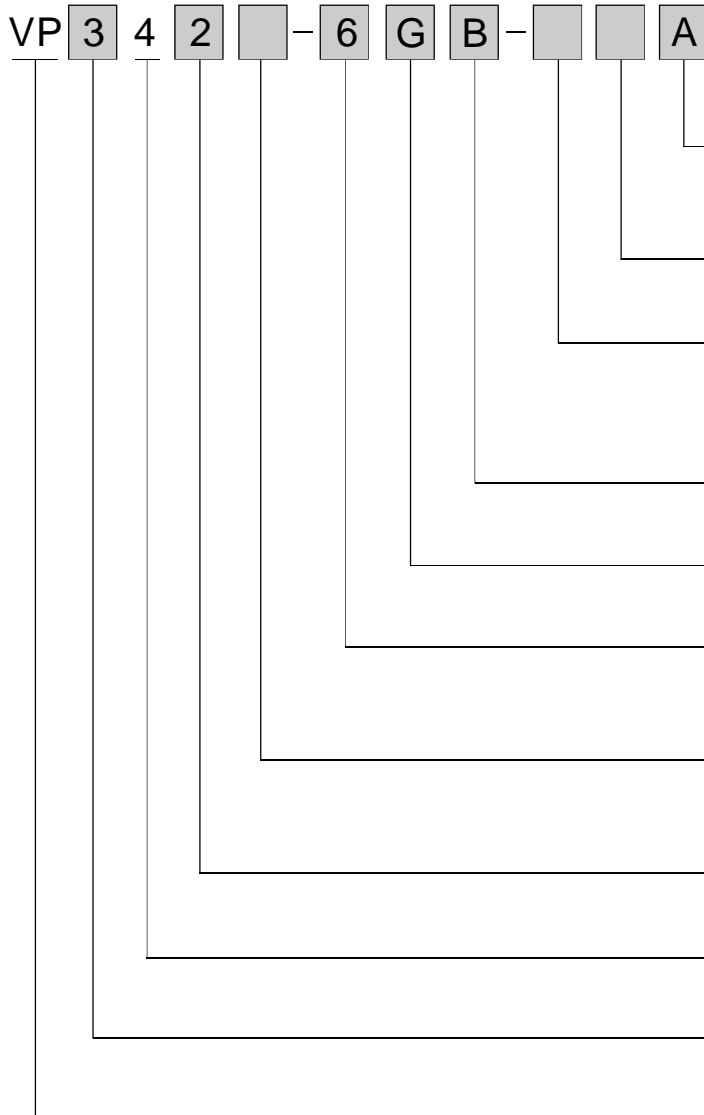


3 Port Solenoid Valve

Body Ported

Series VP342, 542

◆ How to Order



Passage symbol

A	N.C.(Normally closed)
B	N.O.(Normally open)

Thread type

Nil	Rc	F	G
------------	----	----------	---

Port size

Symbol	Port size	Applicable series
02	1/4	VP342
03	3/8	VP542

Manual override

Nil	Non-locking push type	B	Locking type(Slotted)
------------	-----------------------	----------	-----------------------

Electrical entry

G	Grommet
----------	---------

Rated voltage

3	110 to 120VAC,50/60Hz	5	24VDC
4	220VAC,50/60Hz	6	12VDC

Valve option

Nil	Standard (Internal pilot)
R	External pilot

Body type

2	Body ported
----------	-------------

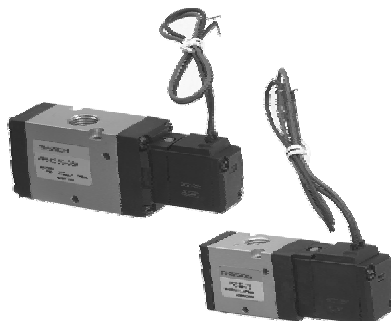
Type of actuation

4	Common use to normally closed and normally open(Pilot)
----------	--

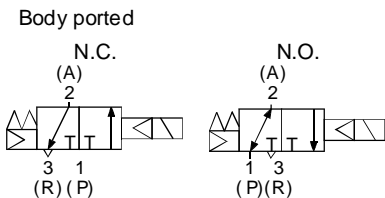
Body size

3	1/4 standard	5	3/8 standard
----------	--------------	----------	--------------

Series VP solenoid valve



Symbol



◆ Specifications

Fluid	Air		
Type of actuation	N.C. or N.O. (Convertible)		
Pilot type	Internal pilot	External pilot	
Operating pressure range(MPa)	0.2~0.8	Inlet pressure	-101.2 kPa~0.8
		External pilot pressure	Same as supply pressure:Min.0.2
Ambient and fluid temperature	-10~50℃ (No freezing)		
Response time	30ms or less(at 0.5 MPa)		
Max.operating frequency	5Hz		
Lubrication	Not required(Use turbine oil Class 1 ISO VG32,if lubricated.)		
Manual override	Non-locking push type		
	Locking type(Slotted)		
Mounting orientation	Unrestricted		
Shock/Vibration resistance	300/50 (m/s ²)		

3 Port Solenoid Valve

Body Ported

Series VP342, 542



◆ Solenoid Specifications

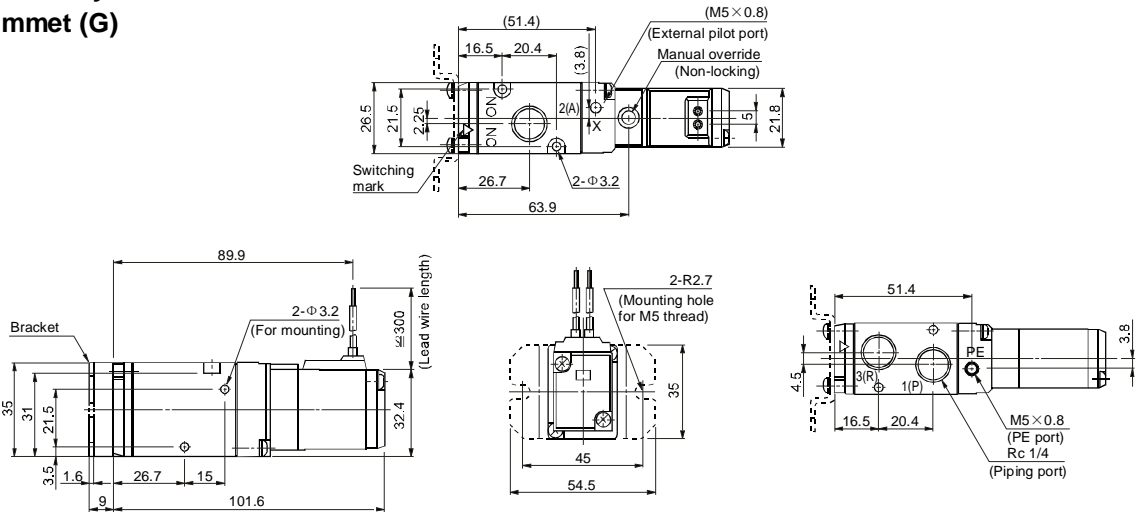
Electrical entry			Grommet
Coil rated voltage (V)	AC(50/60Hz)		110~120, 220
	DC		24,12
Allowable voltage fluctuation			-15~+10% of rated voltage
Apparent power	AC	Inrush	5.6VA (50Hz), 5.0VA (60Hz)
		Holding	3.4VA (50Hz), 2.3VA (60Hz)
Power consumption	DC		1.8 W

◆ Flow Characteristics/Weight

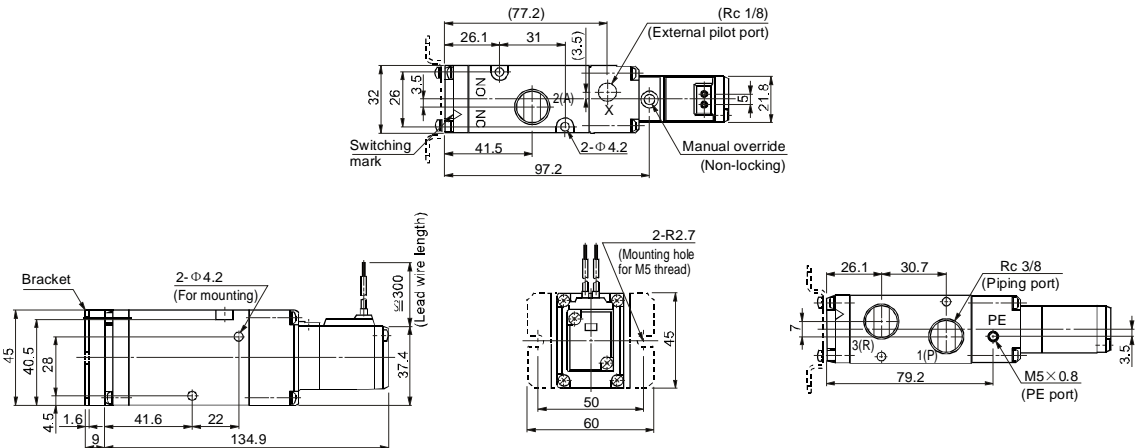
Valve model	Port size	Flow characteristics												Weight (kg)
		1→2(P→A)			2→3(A→R)			3→2(R→A)			2→1(A→P)			
		C[dm ³ /(sbar)]	b	Cv	C[dm ³ /(sbar)]	b	Cv	C[dm ³ /(sbar)]	b	Cv	C[dm ³ /(sbar)]	b	Cv	
VP342 (Body ported)	1/4	4.0	0.26	0.99	3.7	0.27	0.88	3.2	0.40	0.92	4.4	0.28	1.1	0.19
VP542 (Body ported)	3/8	9.1	0.42	2.4	9.0	0.43	2.4	8.8	0.36	2.2	9.3	0.43	2.5	0.33

◆ Dimensions

VP342/Body Ported Grommet (G)



VP542/Body Ported Grommet (G)



II

VF

SY

SYJ

4V100

4V200

4V300

4V400

VT307

VP

3V

2W

2WH

2L

2V

2P

VFA

SYA

4A100

4A200

4A300

3A100

3A200

3A300

3L

4L

4H

SL,SH

4HV

HV,K

3FM

3F

4F

FV

MSV

MOV

JM

TAC

HSV

RE

ASC

KA

ACV

KS

QE

Manifold