

# 5 Port Solenoid Valve

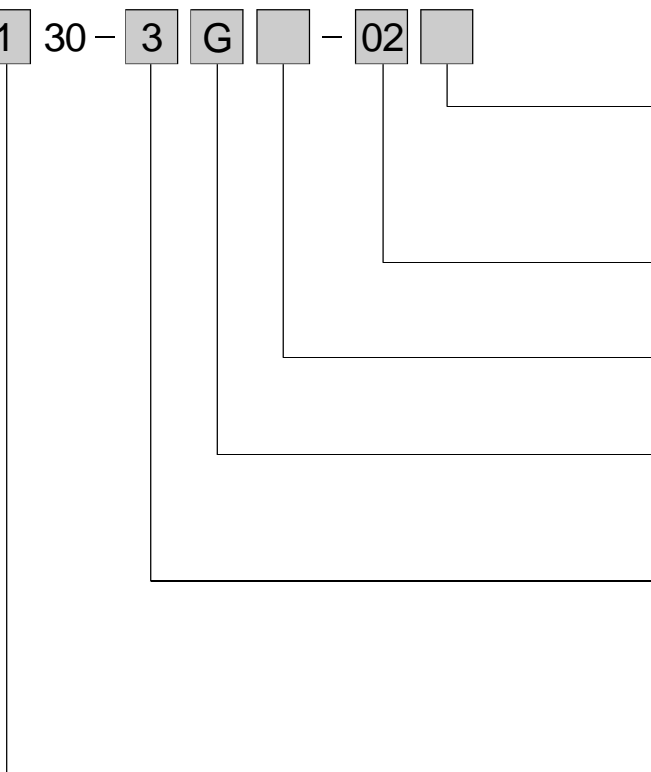
Body Ported

## Series VF3000, 5000



◆ How to Order

VF3 **1** 30 - **3** **G** **□** - **02** **□**



**Thread type**

Nil	Rc
F	G
N	NPT

**Port size(P,A,B port)**

02	1/4
----	-----

**Manual override**

Nil	Non-locking push type	B	Locking slotted type
-----	-----------------------	---	----------------------

**Electrical entry**

G	Grommet(Lead wire:300mm)
D	DIN terminal with connector

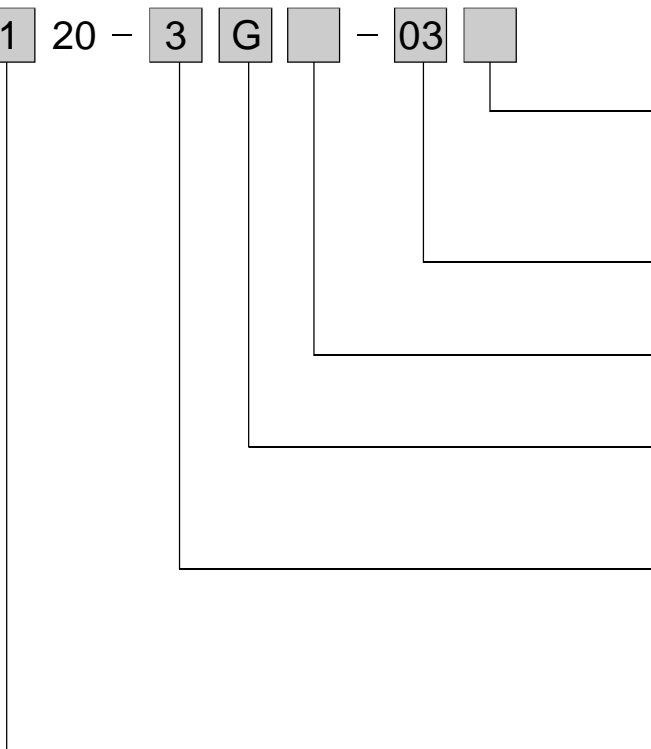
**Rated volgte**

3	110V to 120VAC, 50/60Hz
4	220VAC, 50/60Hz
5	24VDC
6	12VDC

**Type of actuation**

1	Single solenoid	4	Exhaust center
2	Double solenoid	5	Pressure center
3	Closed center		

VF5 **1** 20 - **3** **G** **□** - **03** **□**



**Thread type**

Nil	Rc
F	G
N	NPT

**Port size**

03	3/8
----	-----

**Manual override**

Nil	Non-locking push type	B	Locking slotted type
-----	-----------------------	---	----------------------

**Electrical entry**

G	Grommet(Lead wire length:300mm)
D	DIN terminal with connector

**Rated volgte**

3	110V to 120VAC, 50/60Hz
4	220VAC, 50/60Hz
5	24VDC
6	12VDC

**Type of actuation**

1	Single solenoid	4	Exhaust center
2	Double solenoid	5	Pressure center
3	Closed center		

II

VF

SY

SYJ

4V100

4V200

4V300

4V400

VT307

VP

3V

2W

2WH

2L

2V

2P

VFA

SYA

4A100

4A200

4A300

3A100

3A200

3A300

3L

4L

4H

SL,SH

4HV

HV,K

3FM

3F

4F

FV

MSV

MOV

JM

TAC

HSV

RE

ASC

KA

ACV

KS

QE

Manifold



# 5 Port Solenoid Valve

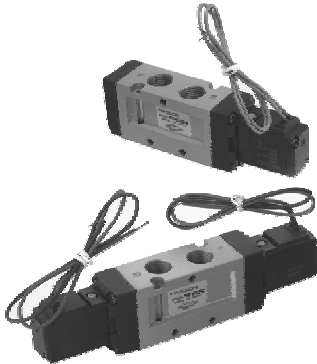
## Body Ported

# Series VF3000, 5000

### ◆ Specifications



VF3000



VF5000

Series		VF3000	VF5000
Fluid		Air	
Operating pressure range	2 position single/3position	0.15~0.9MPa	
	2 position double	0.1~0.9MPa	
Ambient and fluid temperature		-10~50°C (No freezing)	
Response time	2 position single/double	20 ms or less(at the pressure of 0.5MPa)	
	3 position	40 ms or less(at the pressure of 0.5MPa)	
Max.operating frequency	2 position single/double	10Hz	5Hz
	3 position	3Hz	3Hz
Lubrication		Not required	
Manual override		Non-locking push, Locking slotted type	
Mounting orientation		Unrestricted	
Shock/Vibration resistance		300/50 (m/s <sup>2</sup> )	
Enclosure		Dustproof	

### ◆ Solenoid Specifications

Electrical entry		Grommet, DIN terminal	
Coil rated voltage(V)	AC 50/60Hz	110, 220	
	DC	24, 12	
Allowable voltage fluctuation		-15~ +10% of rated voltage	
Apparent power	AC	Inrush	5.6VA (50Hz), 5.0VA(60Hz)
		Holding	3.4VA(50Hz), 2.3VA(60Hz)
Power consumption	DC	1.8W	

### Symbol

Single VF3130, VF5120	Double VF3230, VF5220	Close center VF3330, VF5320	Exhaust center VF3430, VF5420	Pressure center VF3530, VF5520

### ◆ Flow Characteristics/Weight

Valve model	Type of actuation	Port size	Flow characteristics						Weight (kg)
			1→4/2(P→A/B)			4/2→5/3(A/B→EA/EB)			
			C(dm <sup>3</sup> /(s·bar))	b	Cv	C(dm <sup>3</sup> /(s·bar))	b	Cv	
VF3□30-□□-02 Body ported	2 position single	1/4	4.0	0.36	1.0	3.1	0.32	0.75	0.21
	2 position double		4.0	0.36	1.0	3.1	0.32	0.75	0.29
	3 position closed center		2.4	0.45	0.68	1.9	0.37	0.47	0.44
	3 position exhaust center		3.0	0.42	0.82	3.1 (2.7)	0.36 (0.29)	0.79 (0.66)	0.44
	3 position pressure center		5.5 (1.4)	0.37 (0.50)	1.4 (0.40)	2.6	0.32	0.64	0.44
VF5□20-□□-03 Body ported	2 position single	3/8	8.8	0.44	2.4	10	0.49	2.9	0.38
	2 position double		8.8	0.44	2.4	10	0.49	2.9	0.45
	3 position closed center		7.5	0.43	2.0	7.5	0.38	1.9	0.56
	3 position exhaust center		8.3	0.40	2.2	10 (8.7)	0.48 (0.46)	3.0 (2.4)	0.56
	3 position pressure center		9.2 (3.0)	0.50 (0.49)	2.6 (0.85)	6.1	0.35	1.6	0.56

Note: ( ) denotes normal position.

# 5 Port Solenoid Valve

Body Ported

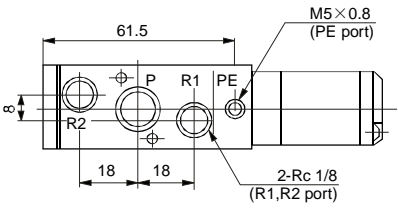
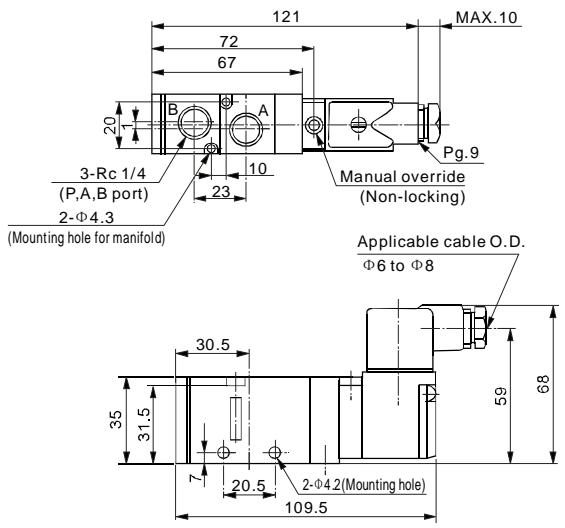
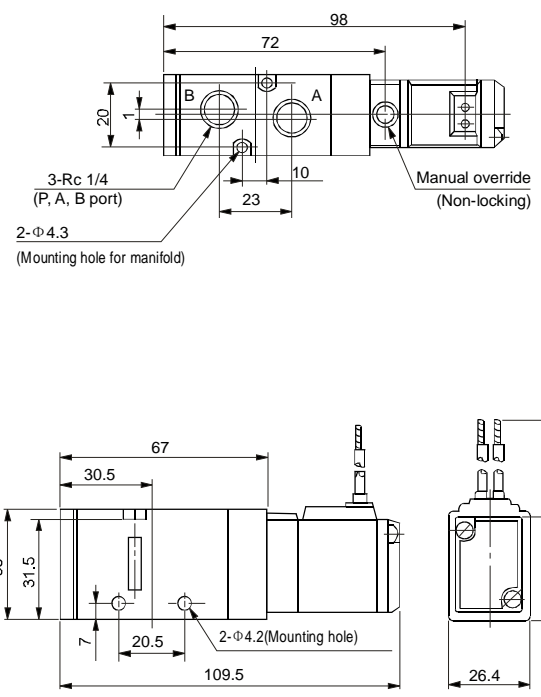
## Series VF3000, 5000



◆ Dimensions

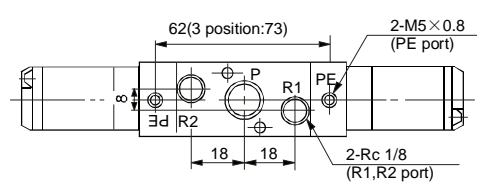
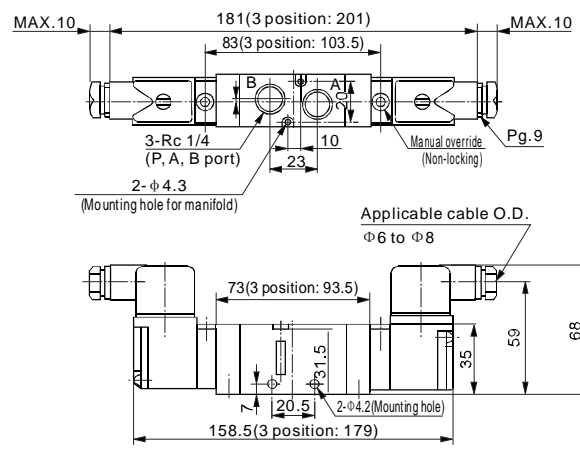
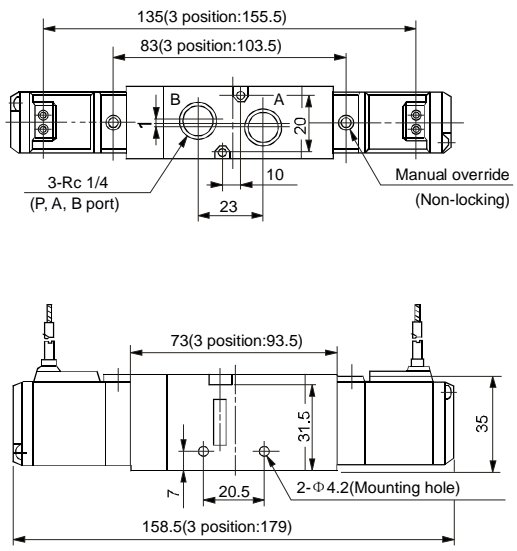
**Body Ported: 2 position Single Solenoid**  
**Grommet: VF3130-□G-02**

**DIN terminal: VF3130-□D-02**



**Body Ported: 2 Position Double solenoid,**  
**3 Position Closed Center/Exhaust Center/**  
**Pressure Center**  
**Grommet: VF3□30-G-02**

**DIN terminal: VF3□30-□D-02**



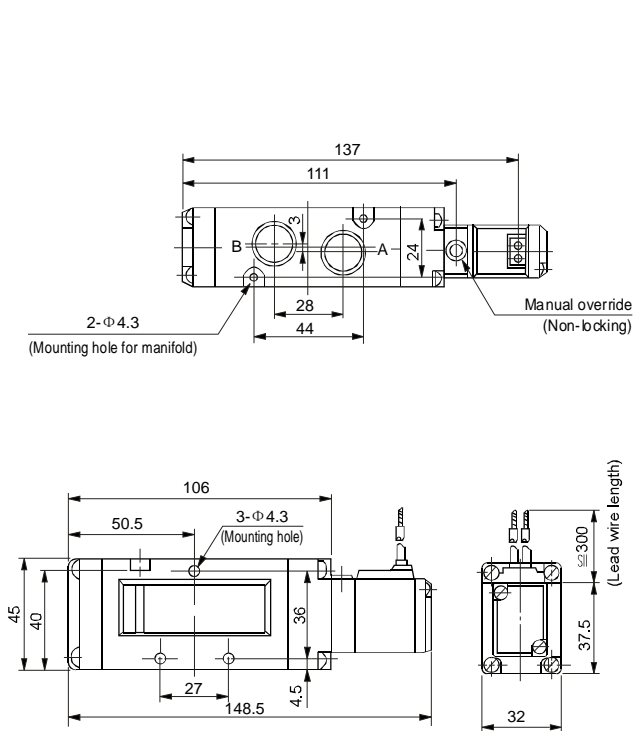
II
VF
SY
SYJ
4V100
4V200
4V300
4V400
VT307
VP
3V
2W
2WH
2L
2V
2P
VFA
SYA
4A100
4A200
4A300
3A100
3A200
3A300
3L
4L
4H
SL,SH
4HV
HV,K
3FM
3F
4F
FV
MSV
MOV
JM
TAC
HSV
RE
ASC
KA
ACV
KS
QE
Manifold

# 5 Port Solenoid Valve

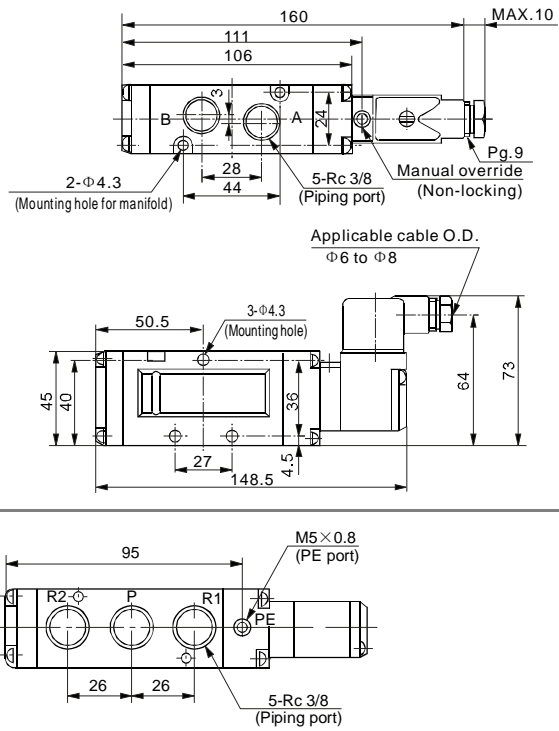
Body Ported

## Series VF3000, 5000

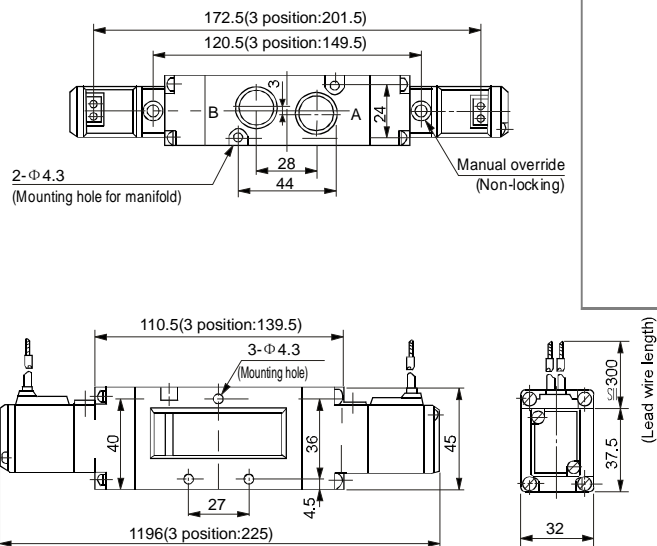
**Body Ported: 2 position Single Solenoid**  
Grommet:VF5120-□G-03



**DIN terminal: VF5120-□D-03**



**Body Ported: 2 Position Double solenoid,  
3 Position Closed Center/Exhaust Center/  
Pressure Center**  
Grommet:VF5□20-G-03



**DIN terminal: VF5□20-□D-03**

