

Air Filter / Regulator + Lubricator

2 Units Air Combination

Series UFR/L

ANSSION
PNEUMATIC & HYDRAULIC

◆ How to Order

UFR/L - 02 N C D



Drain type

Nil	Semi-auto Drain
D	Auto drain
H	Manual drain

Filtration

Nil	5 μ m	C	40 μ m
-----	-------	---	--------

Thread

Nil	G	N	NPT
-----	---	---	-----

Port size

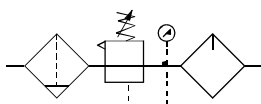
02	1/4	06	3/4
03	3/8	08	1
04	1/2		

Air Filter / Regulator+Lubricator

◆ Specifications

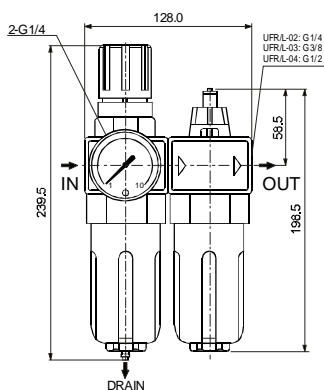
Model	UFR/L-02	UFR/L-03	UFR/L-04	UFR/L-06	UFR/L-08
Port size	1/4	3/8	1/2	3/4	1
Fluid	Air				
Construction	Piston type regulator				
Body material	Aluminum die-cast				
Bowl material	Polycarbonate(standard)				
Filtration	5 μ m(standard),40 μ m(option)				
Set pressure range	0.05~0.99 MPa				
Max. Inlet pressure(standard)	1.2 MPa				
Max. Flow rate	2080	2100	2600	7940	8200
Ambient and fluid temperature	-10°C~60°C(No freezing)				
Recommended lubricant	Turbin oil class 1(ISO VG32)				
Filter bowl capacity	105cc			210cc	
Lubricator bowl capacity	125cc			235cc	
Standard drain	Semi-automatic drain(below 0.05MPa)				
Net weight for standard	1480g			2150g	
Accessories	1 Gauge, 1 bracket, 4 screw, 1 plug				

Symbol

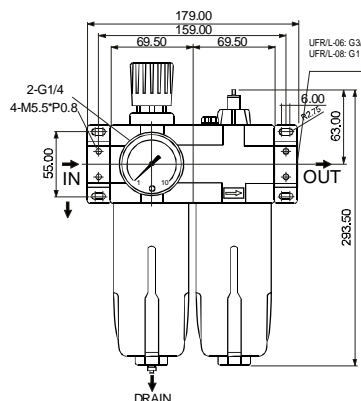


◆ Dimensions

UFR/L-02,03,04



UFR/L-06,08



III
AD401,402
AC
AW
AF
AR
AL
UFRL
UFR/L
UFR
UF
UR
UL
FRL700A
FRL600A
FR500A
F200A
NR200
R 200
L200A
AAC,ABC
AAF,ABFC
AAFR,ABFR
AAF,ABF
AAR,ABR
AAL,ABL
SFC
SFR
SL