

5 Port Solenoid Valve

Body Ported

Series SYJ3000, 5000, 7000

◆ How to Order

SYJ **3** **1** 2 **0** - **5** **L** - **M3**

A, B port size(Thread piping)

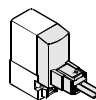
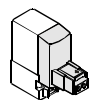
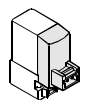
Symbol	Port size	Applicable series
M3	M3×0.5	SYJ3000
M5	M5×0.8	SYJ5000
01	Rc1/8	SYJ7000

Light/Surge voltage suppressor

Nil	Without light/surge voltage suppressor
Z	With light/surge voltage suppressor

Note): Z type only for 24VDC and 12VDC.

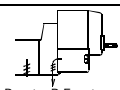
Electrical entry

L plug connector		
L: With lead wire (Length 300 mm)	LN: Without lead wire	LO: Without connector
		

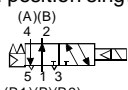
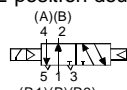
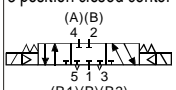
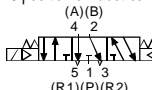
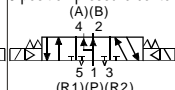
Rated voltage

AC(50/60Hz)		DC	
3	110VAC[115VAC]	5	24VDC
4	220VAC[230VAC]	6	12VDC

Body option

0	pilot valve individual exhaust for the pilot valve	
		R port P, E port

Type of actuation

1	2	3
2 position single (A)(B)  (R1)(P)(R2)	2 position double (A)(B)  (R1)(P)(R2)	3 position closed center (A)(B)  (R1)(P)(R2)
4	5	
3 position exhaust center (A)(B)  (R1)(P)(R2)	3 position pressure center (A)(B)  (R1)(P)(R2)	

Series

3	SYJ3000	5	SYJ5000	7	SYJ7000
----------	---------	----------	---------	----------	---------

5 Port Solenoid Valve

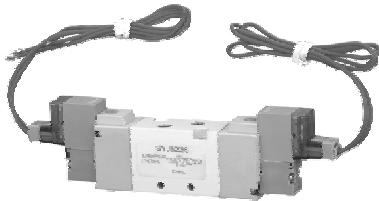
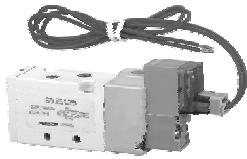
Body Ported

Series SYJ3000, 5000, 7000



◆ Specifications

Series		SYJ3000	SYJ5000	SYJ7000
Fluid		Air		
Internal pilot	2 position single	0.15-0.7 MPa		
Operating pressure range	2 position double	0.1-0.7 MPa		
	3 position	0.2-0.7 MPa		
Ambient and fluid temperature		-10-50°C (No freezing)		
Response time (at 0.5 MPa)	2 position single,double	15ms or less	25ms or less	30ms or less
	3 position	30ms or less	40ms or less	60ms or less
Max.operating frequency	2 position single,double	10 Hz	5 Hz	5 Hz
	3 position	3 Hz	3 Hz	3 Hz
Manual override(Manual operation)		Non-locking push type		
Pilot exhaust method		Individual exhaust for the pilot valve, common exhaust for the pilot and main valve		
Lubrication		Not required		
Mounting orientation		Unrestricted		
Impact/Vibration resistance		150/30 (m/s ²)		
Enclosure		Dustproof		



◆ Solenoid Specifications

Electrical entry		L plug connector(L)		
Coil rated voltage(V)	DC	24, 12		
	AC 50/60Hz	110, 220		
Allowable voltage fluctuation(%)		± 10% of rated voltage		
Power consumption	DC	Standard	0.35W (With indicator light: 0.4)	
Apparent power	AC	110V	1.6VA	
		220V	2.5VA	
Indicator light		LED		

◆ Flow Characteristics/Weight

Valve model	Type of actuation		Port size		Flow characteristics						Weight(g) L plug connector
			1,5,3 (P,EA,EB)	4,2 (A,B)	1→4/2(P→A/B)			4/2→5/3(A/B→EA/EB)			
					C(dm ³ /(s·bar))	b	Cv	C(dm ³ /(s·bar))	b	Cv	
SYJ3□20-□-M3	2 position	Single	M3×0.5	M3×0.5	0.46	0.36	0.12	0.46	0.35	0.12	41
		Double									63
	3 position	Closed center			0.39	0.39	0.10	0.59 (0.40)	0.43 (0.30)	0.16 (0.11)	66
		Exhaust center									
SYJ5□20-□-M5	2 position	Single	M5×0.8	M5×0.8	0.47	0.41	0.13	0.47	0.41	0.13	47
		Double									66
	3 position	Closed center			0.46	0.37	0.12	0.47 (0.39)	0.43 (0.35)	0.13 (0.10)	77
		Exhaust center									
SYJ7□20-□-01	2 position	Single	Rc1/8	Rc1/8	2.2	0.36	0.58	2.4	0.34	0.63	86
		Double									100
	3 position	Closed center			1.8	0.37	0.45	2.0	0.35	0.49	110
		Exhaust center									
		Pressure center	1.2	0.50	0.34	3.0 (1.3)	0.35 (0.52)	0.73 (0.39)			
		Pressure center	3.0 (0.83)	0.37 (0.50)	0.78 (0.25)	1.8	0.37	0.45			

- II
- VF
- SY
- SYJ**
- 4V100
- 4V200
- 4V300
- 4V400
- VT307
- VP
- 3V
- 2W
- 2WH
- 2L
- 2V
- 2P
- VFA
- SYA
- 4A100
- 4A200
- 4A300
- 3A100
- 3A200
- 3A300
- 3L
- 4L
- 4H
- SL,SH
- 4HV
- HV,K
- 3FM
- 3F
- 4F
- FV
- MSV
- MOV
- JM
- TAC
- HSV
- RE
- ASC
- KA
- ACV
- KS
- QE
- Manifold

5 Port Solenoid Valve

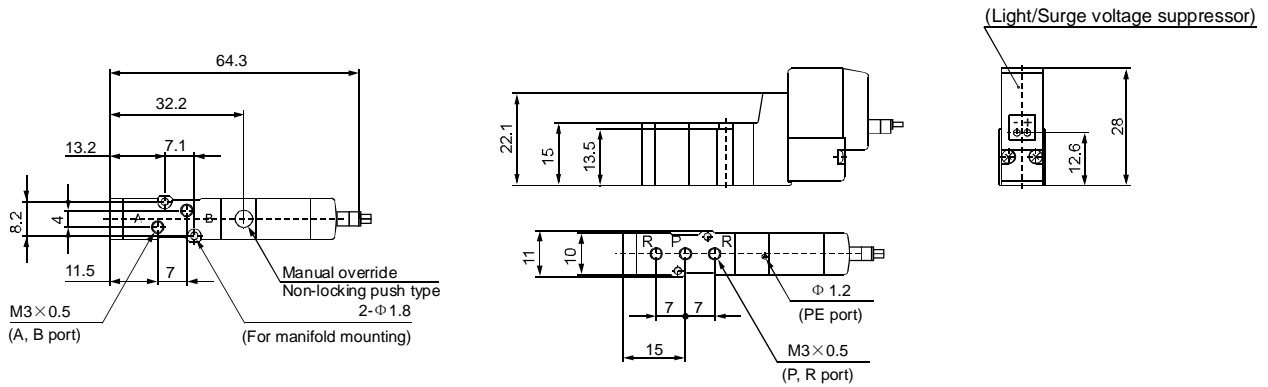
Body Ported

Series SYJ3000, 5000, 7000

◆ Dimensions (SYJ3000 Series)

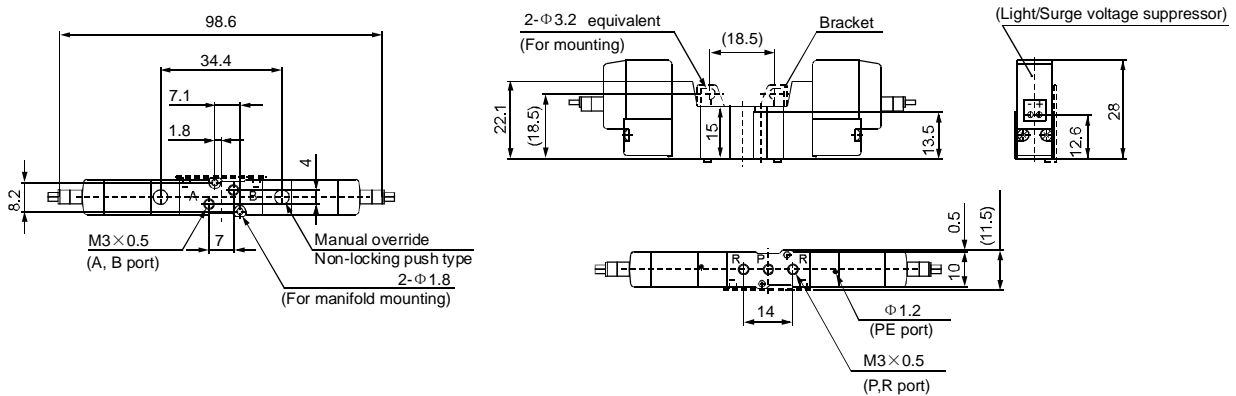
2 position single

L plug connector(L):SYJ3120-□L□-M3



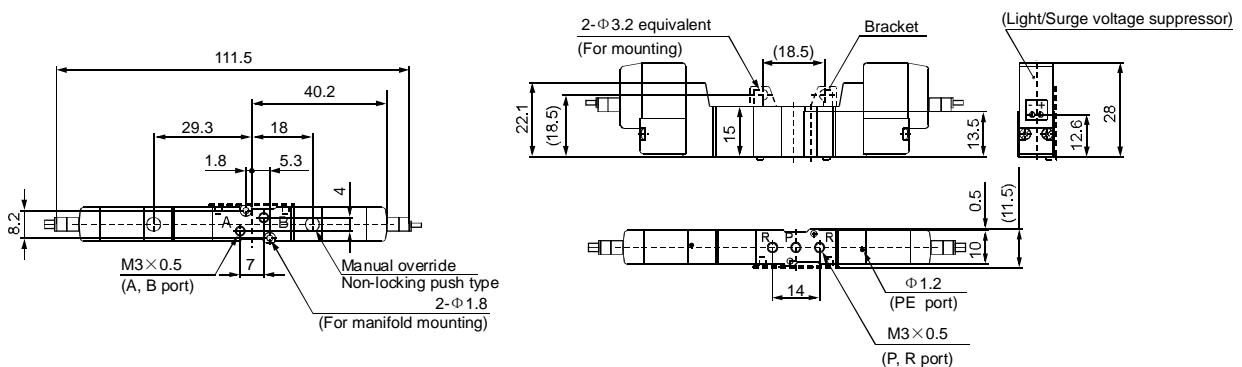
2 position double

L plug connector(L):SYJ3220-□L□-M3



3 position closed center/exhaust center/pressure center

L plug connector(L):SYJ3³/₅20-□L□-M3□



5 Port Solenoid Valve

Body Ported

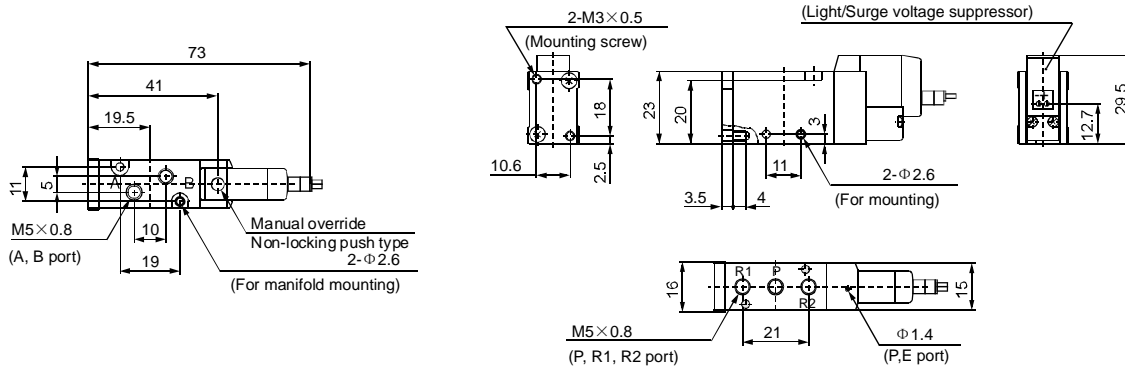
Series SYJ3000, 5000, 7000



◆ Dimensions (SYJ5000 Series)

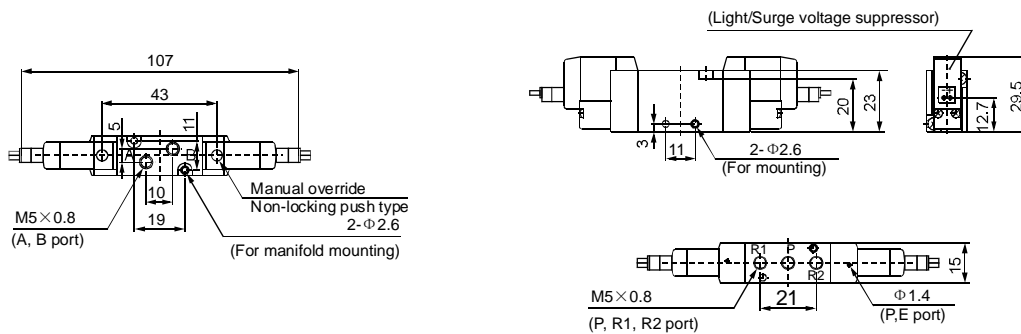
2 position single

L plug connector(L):SYJ5120-□L□-M5



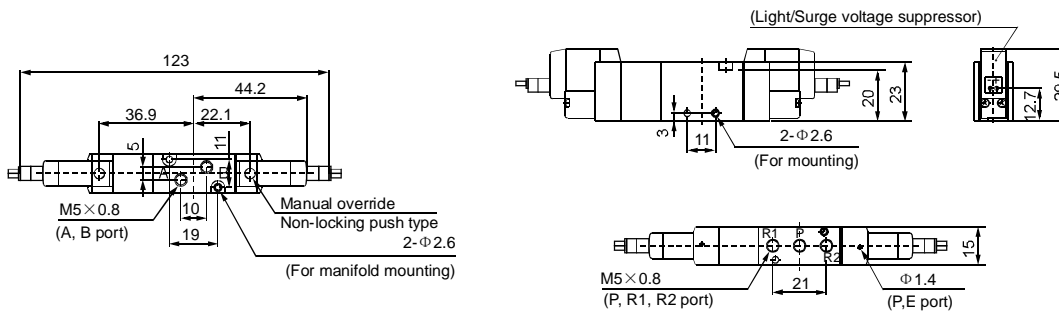
2 position double

L plug connector(L):SYJ5220-□L□-M5



3 position closed center/exhaust center/pressure center

L plug connector(L):SYJ5³/₄20-□L□-M5



II
VF
SY
SYJ
4V100
4V200
4V300
4V400
VT307
VP
3V
2W
2WH
2L
2V
2P
VFA
SYA
4A100
4A200
4A300
3A100
3A200
3A300
3L
4L
4H
SL,SH
4HV
HV,K
3FM
3F
4F
FV
MSV
MOV
JM
TAC
HSV
RE
ASC
KA
ACV
KS
QE
Manifold

5 Port Solenoid Valve

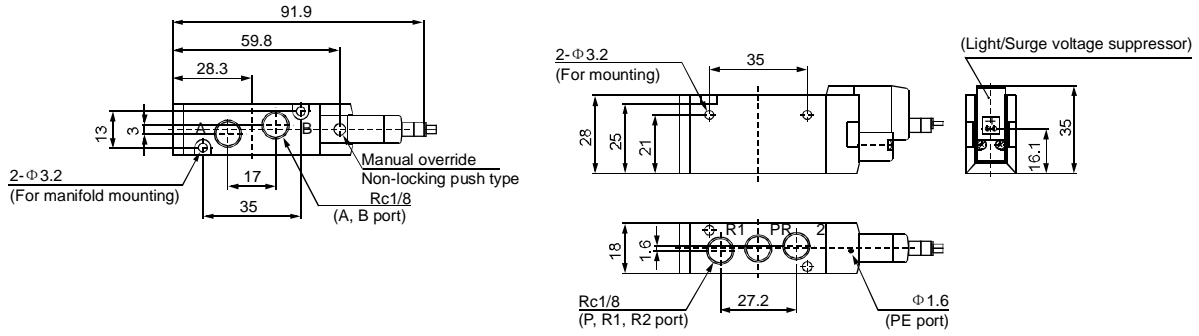
Body Ported

Series SYJ3000, 5000, 7000

◆ Dimensions (SYJ7000 Series)

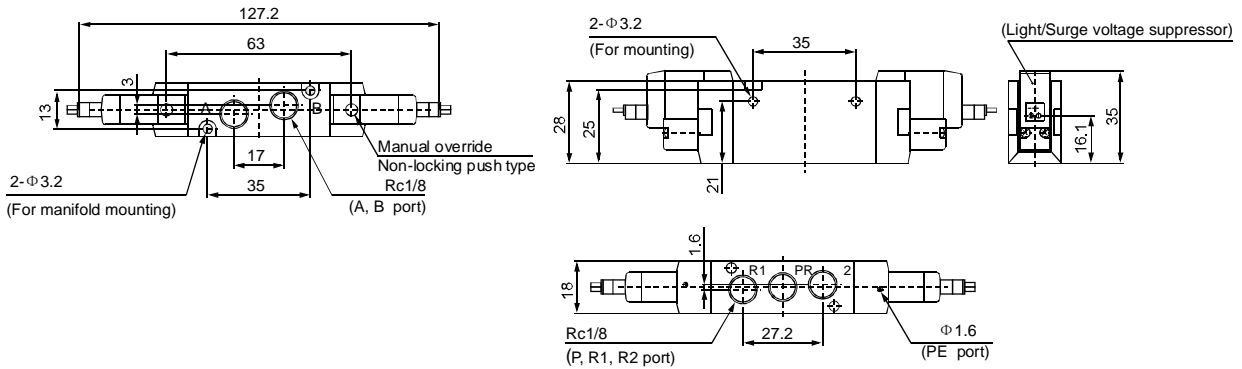
2 position single

L plug connector(L):SYJ7120-□L□-01



2 position double

L plug connector(L):SYJ7220-□L□-01



3 position closed center/exhaust center/pressure center

L plug connector(L):SYJ7³/₅20-□L□-01

