

# 5 Port Air Operated Valve

Body Ported

## Series SYA3000, 5000, 7000



◆ How to Order

SYA **5** **1** 20 - **01**

**Thread type**

Nil	Rc	F	G	N	NPT
-----	----	---	---	---	-----

**P, A, B port size**

Symbol	Port size	Applicable series
<b>M5</b>	M5×0.8	SYA3000
<b>01</b>	1/8	SYA5000
<b>02</b>	1/4	SYA7000

**Type of actuation**

1	2	3
2 position single 	2 position double 	3 position closed center 
4	5	
3 position exhaust center 	3 position pressure center 	

**Series**

<b>3</b>	SYA3000	<b>5</b>	SYA5000	<b>7</b>	SYA7000
----------	---------	----------	---------	----------	---------

II

- VF
- SY
- SYJ
- 4V100
- 4V200
- 4V300
- 4V400
- VT307
- VP
- 3V
- 2W
- 2WH
- 2L
- 2V
- 2P
- VFA
- SYA**
- 4A100
- 4A200
- 4A300
- 3A100
- 3A200
- 3A300
- 3L
- 4L
- 4H
- SL,SH
- 4HV
- HV,K
- 3FM
- 3F
- 4F
- FV
- MSV
- MOV
- JM
- TAC
- HSV
- RE
- ASC
- KA
- ACV
- KS
- QE
- Manifold



◆ Specifications

Fluid	Air	
Operating pressure range	2 position single	0.15~0.7 MPa
	2 position double	0.1~0.7 MPa
	3 position	0.2~0.7 MPa
Pilot pressure range	2 position single	(0.7xP+0.1)~0.7P: Operating pressure range
	2 position double	0.1~0.7 MPa
	3 position	0.2~0.7 MPa
Ambient and fluid temperature	Max.60 °C	
Manual override(Manual operation)	Non-locking push type	
Lubrication	Not required	
Mounting orientation	Unrestricted	
Impact/Vibration resistance	150/30 (m/s <sup>2</sup> )	

# 5 Port Air Operated Valve

Body Ported

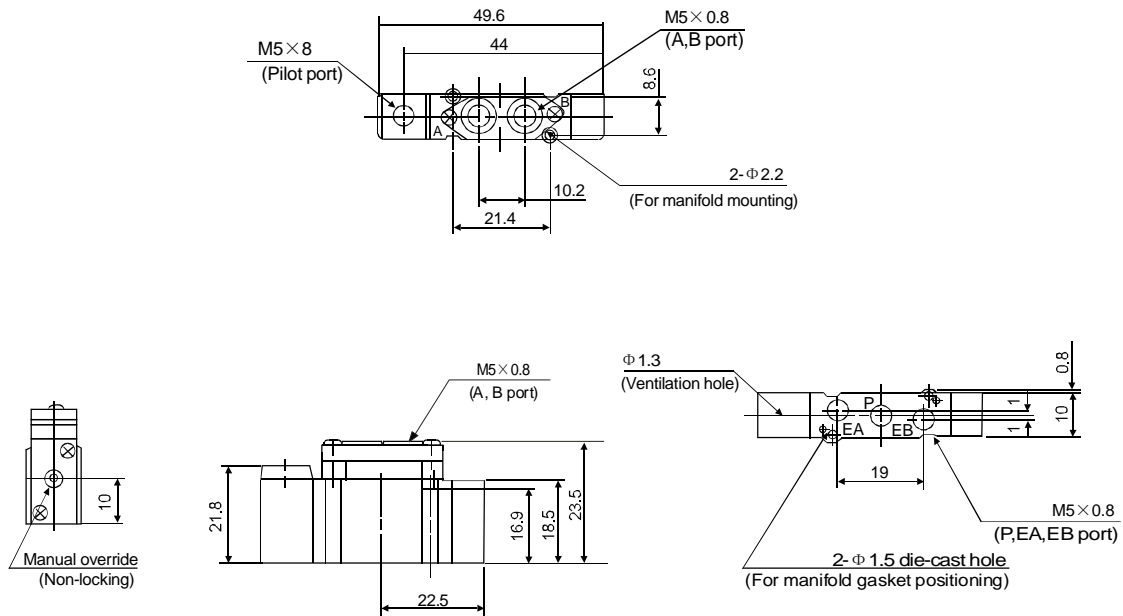
# Series SYA3000, 5000, 7000

### ◆ Flow Characteristics/Weight

Valve model	Type of actuation		Pilot port size (Nominal size)	Port size		Flow characteristics						Weight (g)		
						P,EA,EB	A,B	1→4/2(P→A/B)			4/2→5/3(A/B→EA/EB)			
								C(dm³/(s·bar))	b	Cv	C(dm³/(s·bar))		b	Cv
SYA3□20-□-M5	2 position	Single	M5×0.8	M5×0.8	M5×0.8	0.61	0.44	0.16	0.64	0.45	0.18	35		
		Double				0.48	0.46	0.13	0.47	0.43	0.13	37		
	3 position	Closed center				0.47	0.42	0.13	0.47 (0.44)	0.41 (0.37)	0.13 (0.12)	39		
		Exhaust center				0.50 (0.41)	0.48 (0.35)	0.15 (0.11)	0.47	0.43	0.13			
SYA5□20-01□	2 position	Single	M5×0.8	1/8	1/8	1.9	0.35	0.49	2.4	0.39	0.61	58		
		Double				1.7	0.43	0.45	1.8	0.35	0.46	67		
	3 position	Closed center				1.5	0.44	0.41	2.5 (1.5)	0.32 (0.43)	0.59 (0.40)	69		
		Exhaust center				2.2 (0.91)	0.46 (0.58)	0.61 (0.28)	1.8	0.38	0.46			
SYA7□20-02□	2 position	Single	1/8	P port: 1/4 EA,EB Port 1/8	1/4	4.1	0.23	0.93	3.3	0.33	0.81	132		
		Double				2.9	0.31	0.70	2.4	0.38	0.63	177		
	3 position	Closed center				2.5	0.39	0.65	3.4 (2.1)	0.35 (0.38)	0.82 (0.54)	186		
		Exhaust center				4.3 (2.4)	0.23 (0.32)	0.97 (0.61)	2.2	0.39	0.58			
		Pressure center												

### ◆ Dimensions

#### 2 position single SYA3120-M5



# 5 Port Air Operated Valve

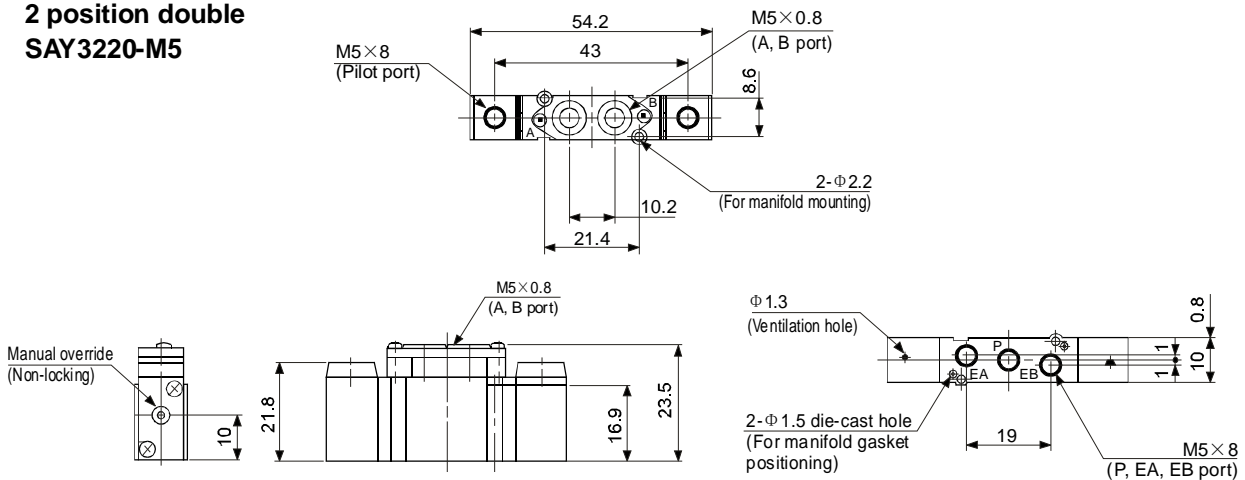
Body Ported

## Series SYA3000, 5000, 7000

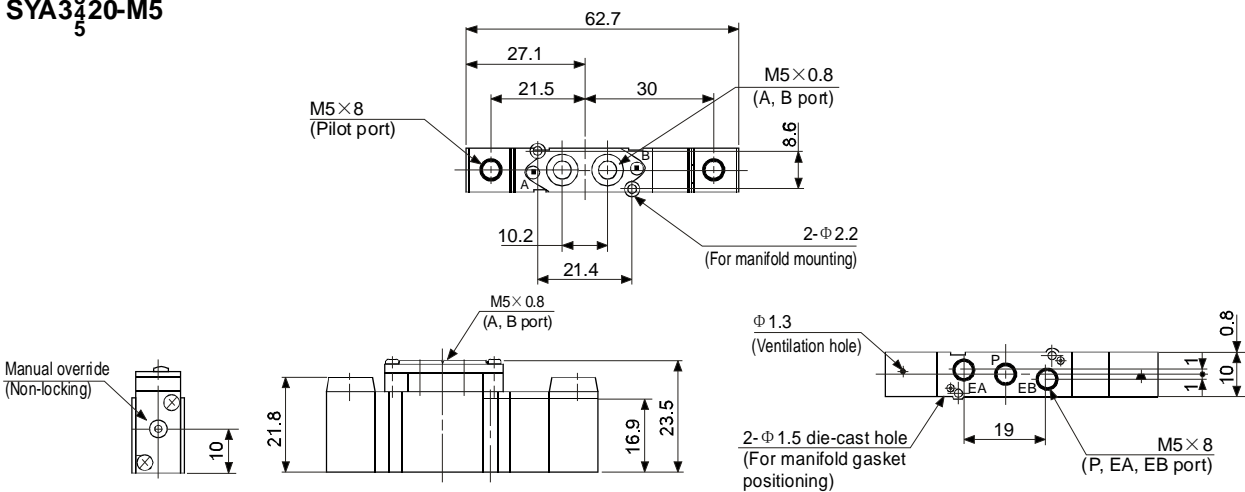


### ◆ Dimensions

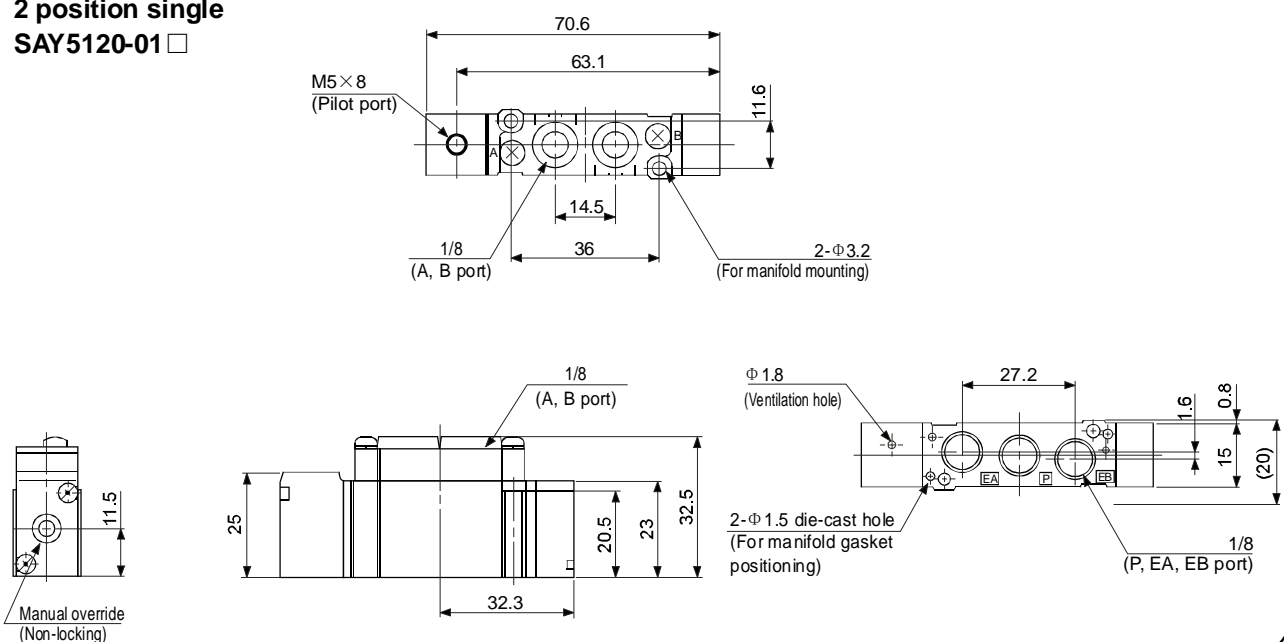
#### 2 position double SAY3220-M5



#### 3 position closed center/exhaust center/pressure center SYA3320-M5



#### 2 position single SAY5120-01 □



II
VF
SY
SYJ
4V100
4V200
4V300
4V400
VT307
VP
3V
2W
2WH
2L
2V
2P
VFA
<b>SYA</b>
4A100
4A200
4A300
3A100
3A200
3A300
3L
4L
4H
SL,SH
4HV
HV,K
3FM
3F
4F
FV
MSV
MOV
JM
TAC
HSV
RE
ASC
KA
ACV
KS
QE
Manifold

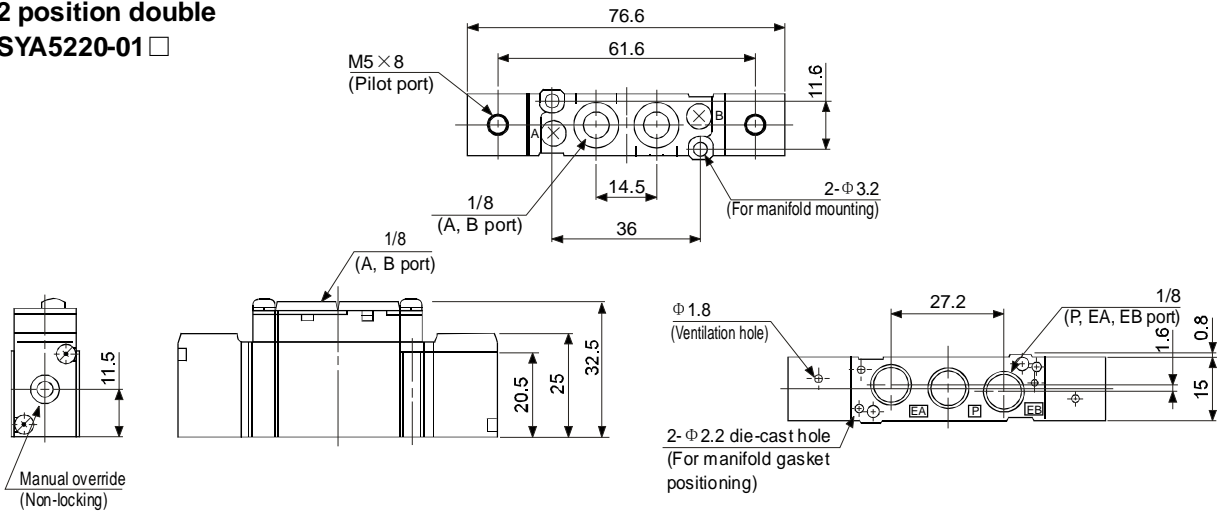
# 5 Port Air Operated Valve

Body Ported

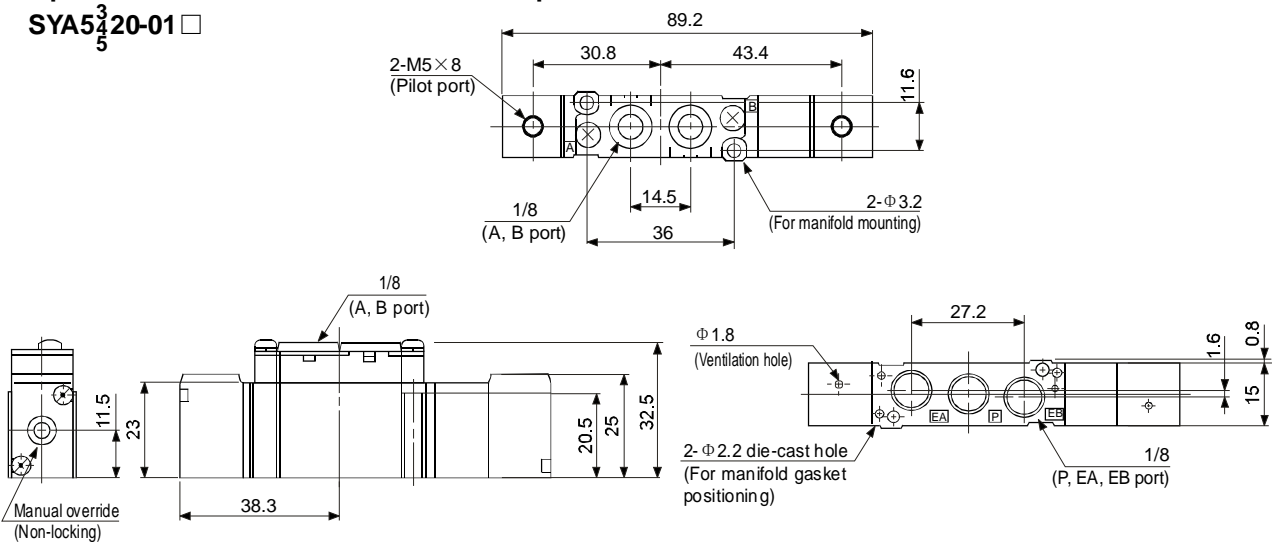
# Series SYA3000, 5000, 7000

## ◆ Dimensions

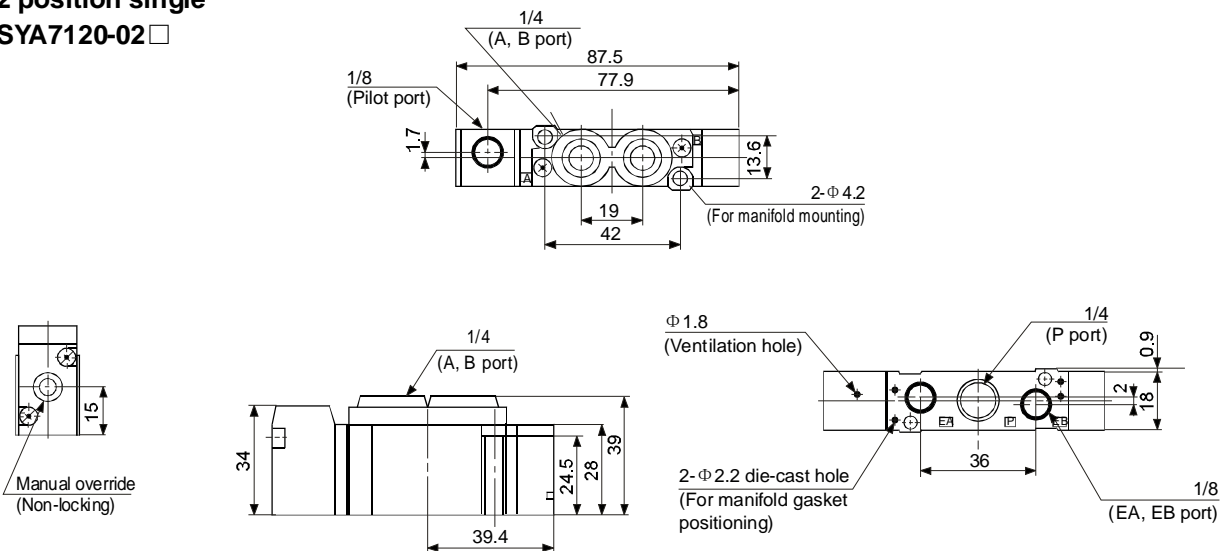
### 2 position double SYA5220-01 □



### 3 position closed center/exhaust center/pressure center SYA5320-01 □



### 2 position single SYA7120-02 □



# 5 Port Air Operated Valve

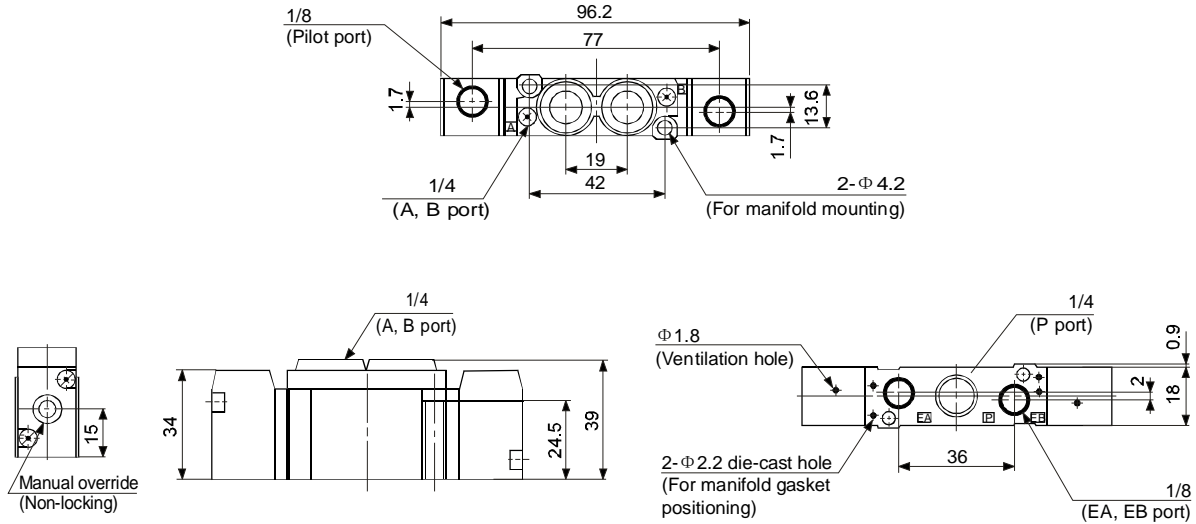
Body Ported

## Series SYA3000, 5000, 7000

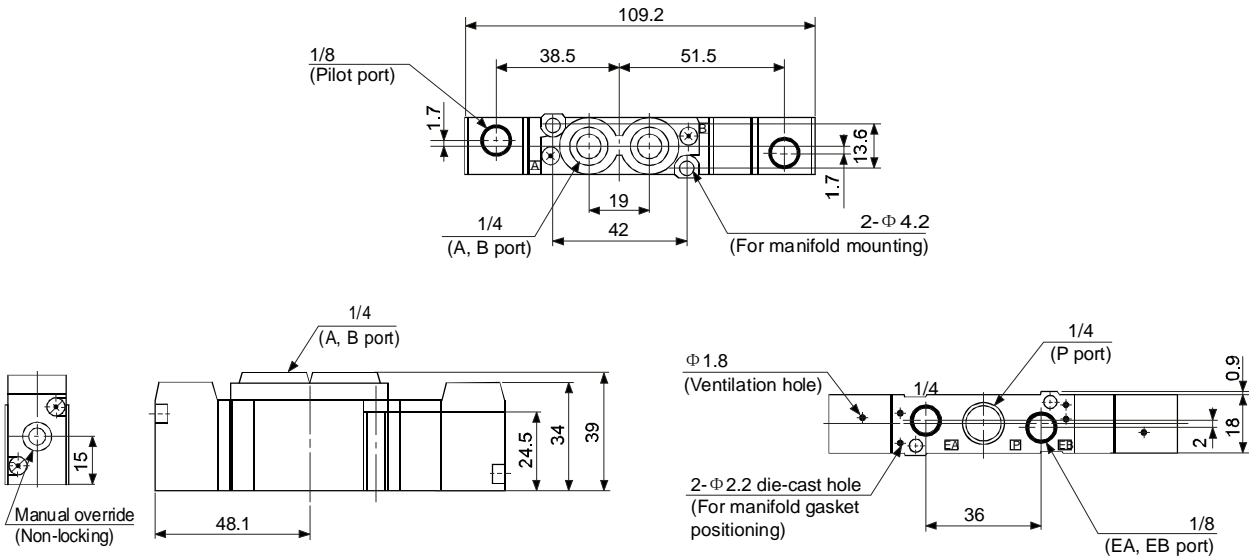


### ◆ Dimensions

#### 2 position double SYA7220-02 □



#### 3 position closed center/exhaust center/pressure center SYA7<sup>3</sup><sub>5</sub>20-02 □



II
VF
SY
SYJ
4V100
4V200
4V300
4V400
VT307
VP
3V
2W
2WH
2L
2V
2P
VFA
<b>SYA</b>
4A100
4A200
4A300
3A100
3A200
3A300
3L
4L
4H
SL,SH
4HV
HV,K
3FM
3F
4F
FV
MSV
MOV
JM
TAC
HSV
RE
ASC
KA
ACV
KS
QE
Manifold