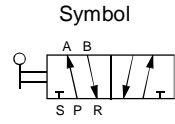
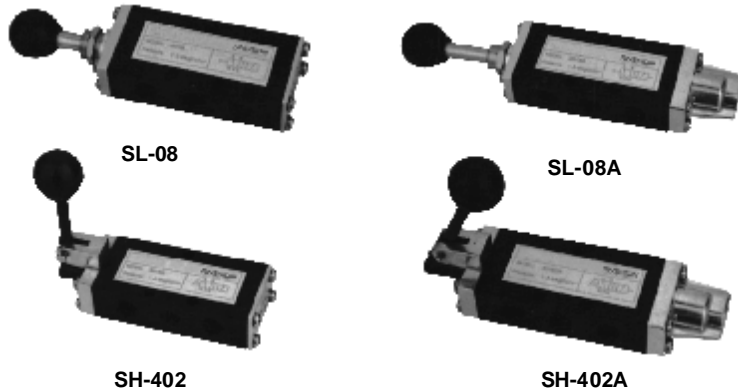


5 Port Hand Push-pull Valve Series SL, SH

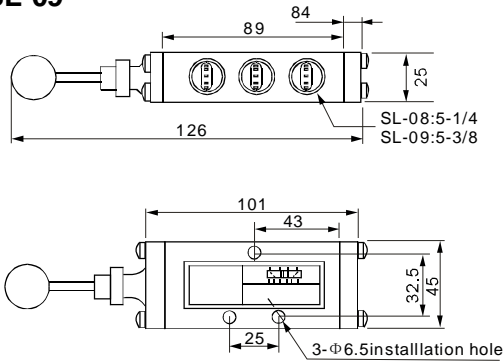


◆ Specifications

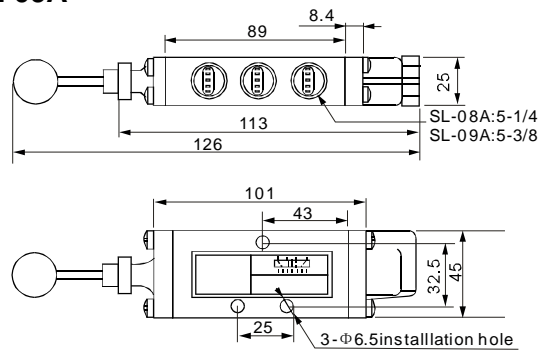
Model	SL-08	SL-08A	SL-09	SL-09A	SH-402	SH-402A	SH-403	SH-403A
Fluid	Air							
Operating pressure range	0~0.8 MPa							
Ambient and fluid temperature	0~70°C							
Port size	1/4		3/8		1/4		3/8	
Type of actuation	5 port 2 position							

◆ Dimensions

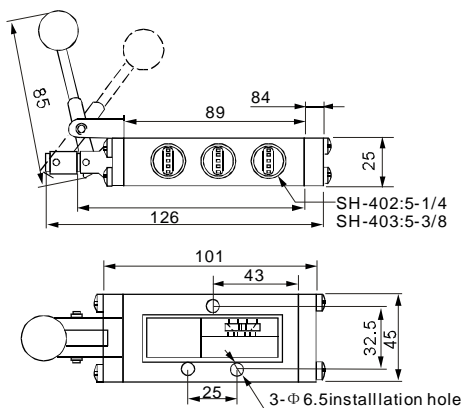
**SL-08
SL-09**



**SL-08A
SL-09A**



**SH402
SH403**



**SH402A
SH403A**

