

Air Filter / Regulator + Lubricator

2 Units Air Combination

Series SFC

ANSSION
PNEUMATIC & HYDRAULIC



◆ How to Order

SFC - 200 - []

Drain type

Nil	Semi-auto Drain
M	Manual Drain
A	Auto Drain

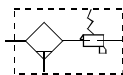
Port size

300	3/8	200	1/4
400	1/2		

Air Filter / Regulator + Lubricator

SFC	S Series
-----	----------

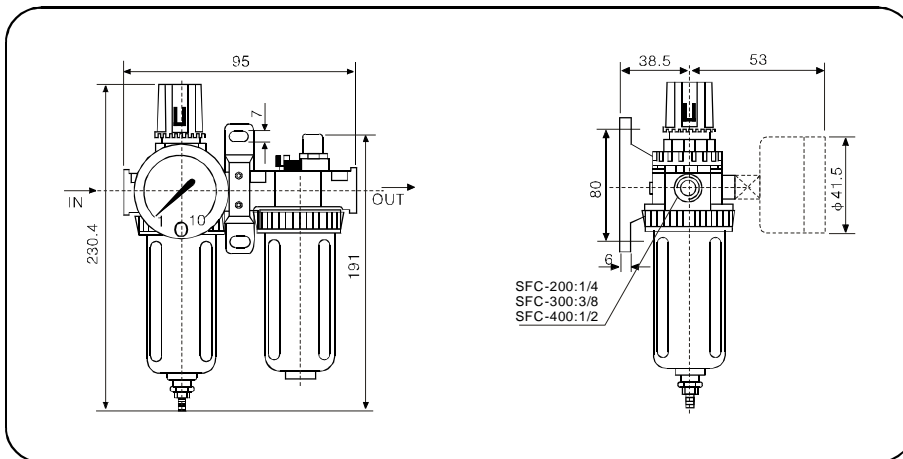
Symbol



◆ Specifications

Model	SFC-200	SFC-300	SFC-400
Adapter diameter	1/4Rc	3/8Rc	1/2Rc
Press meter diameter	1/8Rc	1/8Rc	1/8Rc
Proof pressure	1.5 MPa		
Max. operating pressure	1.0 MPa		
Ambient and fluid temperature	5-60°C		

◆ Dimensions



III

AD401,402

AC

AW

AF

AR

AL

UFRL

UFR/L

UFR

UF

UR

UL

FRL700A

FRL600A

FR500A

F200A

NR200

R 200

L200A

AAC,ABC

AAF,ABFC

AAFR,ABFR

AAF,ABF

AAR,ABR

AAL,ABL

SFC

SFR

SL