

# Hand Slipping Valve

## Series HSV



### ◆ How to Order

HSV - 06

#### Port size

06	1/8	08	1/4	10	3/8	15	1/2
----	-----	----	-----	----	-----	----	-----

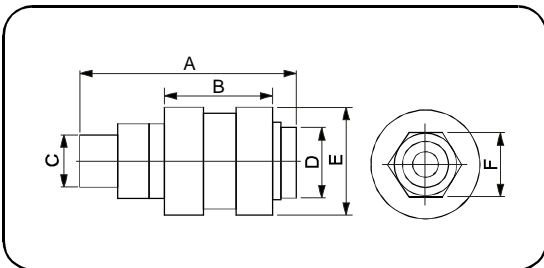
#### Model

HSV	Hand Slipping Valve
-----	---------------------

### ◆ Specifications

Model	HSV-06	HSV-08	HSV-10	HSV-15
Fluid	Air			
Port size	1/8	1/4	3/8	1/2
Nominal diameter	6	8	10	15
Operating pressure range	0~1.0 MPa			
Ambient and fluid temperature	-5~60°C (No freezing)			

### ◆ Dimensions



Type	A	B	C	D	E	F
HSV-06	47	25	1/8	Φ14	Φ21	15
HSV-08	55	30	1/4	Φ18	Φ26	19
HSV-10	57	30	3/8	Φ21	Φ30	22
HSV-15	72	30	1/2	Φ21	Φ30	24

# Flow Control Valve

## Series RE



### ◆ How to order

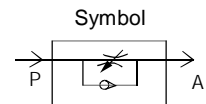
RE - 01

#### Port size

01	1/8	02	1/4	03	3/8	04	1/2
----	-----	----	-----	----	-----	----	-----

#### Model

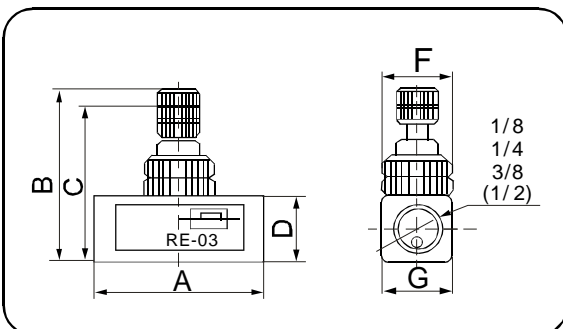
RE	Flow Control Valve
----	--------------------



### ◆ Specifications

Model	RE-01	RE-02	RE-03	RE-04
Fluid	Air			
Port size	1/8	1/4	3/8	1/2
Operating pressure range	0~1.0 MPa			
Ambient and fluid temperature	0~70°C			

### ◆ Dimensions



Type	A	B	C	D	E	F	G
RE-01	46	48	44	11	19	19	19
RE-02	46	48	44	44	48	49	49
RE-03	56.4	63	63	12	25.5	24.7	25.5
RE-04	56.4	63	63	12	25.5	24.7	25.5