

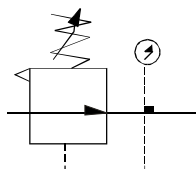
# Regulator Mini Type Series R200

**ANSSION**  
PNEUMATIC & HYDRAULIC

### ◆ How to Order



Symbol



R200 - 02 N B G

Nil	Without gauge
G	With gauge

Nil	Without bracket
B	With bracket

Thread			
Nil	G	N	NPT

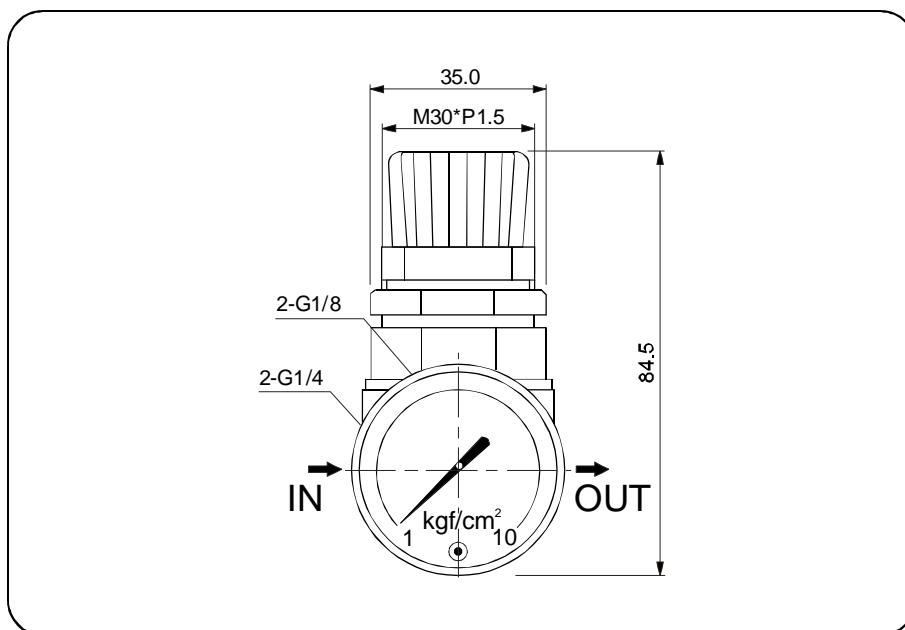
Port size	
02	1/4

Regulator

### ◆ Specifications

Model	R200-02
Port size	1/4
Fluid	Air
Construction	Piston type regulator
Body material	Zinc die-cast
Set pressure range	0.05~0.99 MPa
Max. Inlet pressure(standard)	0.99 MPa
Max. flow rate	1546 l/min
Ambient and fluid temperature	-10°C~60°C (No freezing)
Net weight	205g

### ◆ Dimensions



III

- AD401,402
- AC
- AW
- AF
- AR
- AL
- UFRL
- UFR/L
- UFR
- UF
- UR
- UL
- FRL700A
- FRL600A
- FR500A
- F200A
- NR200**
- R 200**
- L200A
- AAC,ABC
- AAF,ABF
- AAFR,ABFR
- AAF,ABF
- AAR,ABR
- AAL,ABL
- SFC
- SFR
- SL