

# 2 Port Mechanical Valve Series MOV

**ANSSION**  
PNEUMATIC & HYDRAULIC

### ◆ How to Order

MOV — 01



#### Operator

01	Twist selector
02	Roller
03	Stop lock button
03A	Palm button

#### Model

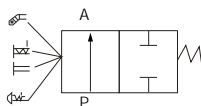
MOV	Mechanical Valve
-----	------------------



### ◆ Specifications

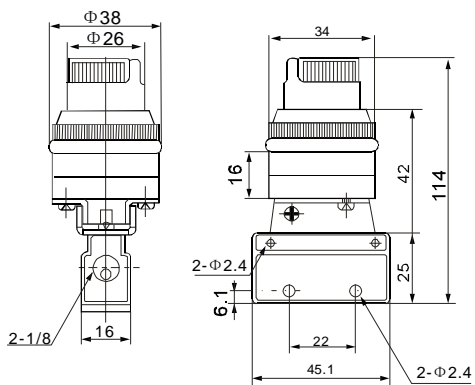
Model	MOV-01	MOV-02	MOV-03	MOV-03A
Fluid	Air			
Type of actuation	2 port 2 position			
Port size	1/8			
Operating pressure range	0~0.8 MPa			
Ambient and fluid temperature	0~70°C			

#### Symbol

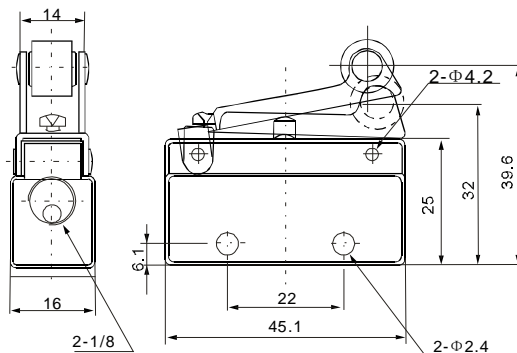


### ◆ Dimensions

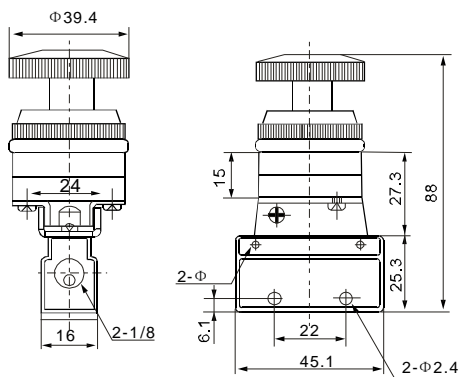
#### MOV-01



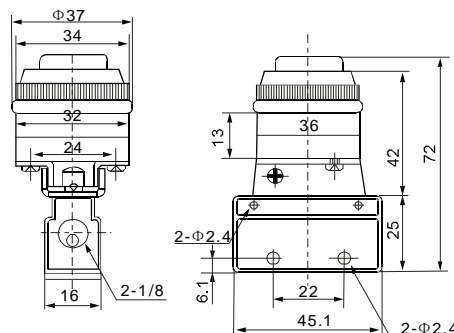
#### MOV-02



#### MOV-03



#### MOV-03A



## II

VF

SY

SYJ

4V100

4V200

4V300

4V400

VT307

VP

3V

2W

2WH

2L

2V

2P

VFA

SYA

4A100

4A200

4A300

3A100

3A200

3A300

3L

4L

4H

SL,SH

4HV

HV,K

3FM

3F

4F

FV

MSV

MOV

JM

TAC

HSV

RE

ASC

KA

ACV

KS

QE

Manifold