

# Compact Guide Cylinder

Double Acting, Single Rod

## Series MGP

◆ How to Order

MGP M 25    - 30

**Cylinder stroke**  
\* Refer to "Standard stroke" .

**Port thread type**

Nil	M5×0.8	N	NPT
	Rc	TF	G

\* For bore sizes 12 and 16, M5 x 0.8 is only available.

**Bore size (mm)**

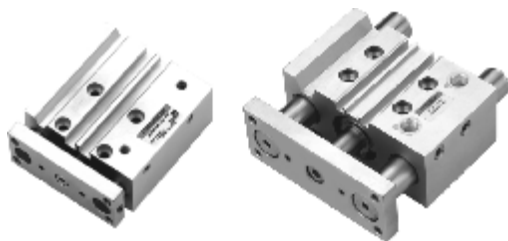
12	16	20	25	32
40	50	63	80	100

**Bearing type**

M	Slide bearing	L	Ball bushing bearing
---	---------------	---	----------------------

**Model**

<b>MGP</b>	Compact guide cylinder, built-in magnet, double acting; single rod
------------	--



Symbol

MGPM□-□



◆ Specifications

Bore size	12	16	20	25	32	40	50	63	80	100
Action	Double acting									
Fluid	Filtered compressed air									
Proof pressure	1.5 MPa									
Operating pressure range	0.12~1.0 Mpa			0.1~1.0 MPa						
Ambient and fluid temperature	-10~60°C (No freezing)									
Port size(Rc,G,NPT)	M5×0.8			1/8			1/4		3/8	
Cushion	Rubber bumper									

◆ Standard Stroke

Bore size (mm)	Standard stroke (mm)
12, 16	10, 20, 30, 40, 50, 75, 100, 125, 150, 175, 200, 250
20, 25	20, 30, 40, 50, 75, 100, 125, 150, 175, 200, 250, 300, 350, 400
32 to 100	25, 50, 75, 100, 125, 150, 175, 200, 250, 300, 350, 400

# Compact Guide Cylinder

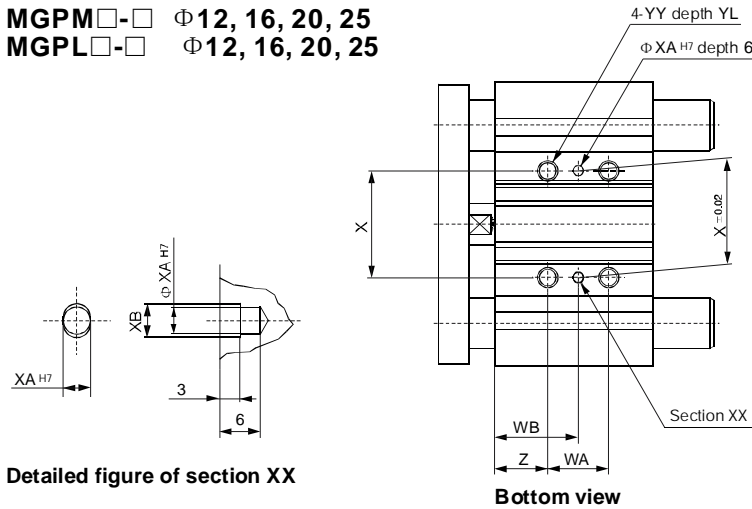
## Double Acting, Single Rod

# Series MGP

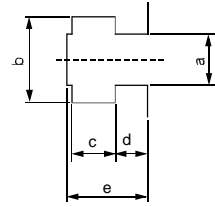
**ANSSION**  
PNEUMATIC & HYDRAULIC

◆ Dimensions

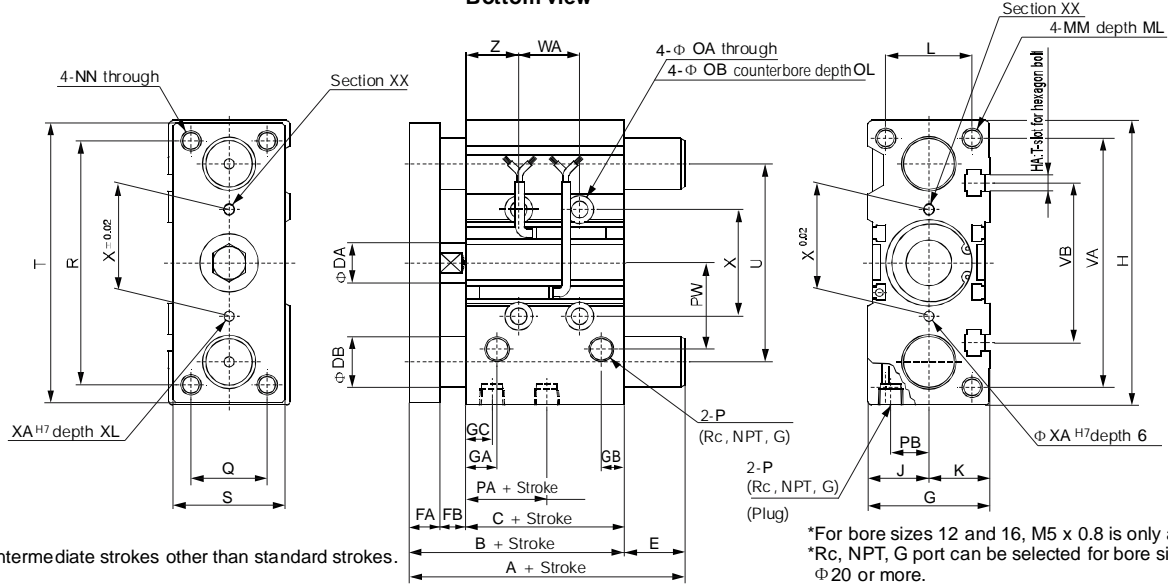
MGPM□-□ Φ12, 16, 20, 25  
MGPL□-□ Φ12, 16, 20, 25



T-slot dimensions



Bore size (mm)	a	b	c	d	e
12	4.4	7.4	3.7	2	6.2
16	4.4	7.4	3.7	2.5	6.7
20	5.4	8.4	4.5	2.8	7.8
25	5.4	8.4	4.5	3	8.2



\*For intermediate strokes other than standard strokes.

\*For bore sizes 12 and 16, M5 x 0.8 is only available.  
\*Rc, NPT, G port can be selected for bore sizes with Φ20 or more.

**MGPM, MGPL Common Dimensions**

Bore size (mm)	Standard stroke (mm)	B	C	DA	FA	FB	G	GA	GB	H	HA	J	K	L	MM	ML	NN	OA	OB	OL	P	PA	PB	PW
12	10, 20, 30, 40, 50, 75, 100	42	29	6	8	5	26	11	7.5	58	M4	13	13	18	M4 x 0.7	10	M4 x 0.7	4.3	8	4.5	M5 x 0.8	13	8	18
16	125, 150, 175, 200, 250	46	33	8	8	5	30	11	8	64	M4	15	15	22	M5 x 0.8	12	M5 x 0.8	4.3	8	4.5	M5 x 0.8	15	10	19
20	20, 30, 40, 50, 75, 100, 125, 150, 175, 200	53	37	10	10	6	36	10.5	8.5	83	M5	18	18	24	M5 x 0.8	13	M5 x 0.8	5.6	9.5	5.5	1/8	12.5	10.5	25
25	250, 300, 350, 400	53.5	37.5	12	10	6	42	11.5	9	93	M5	21	21	30	M6 x 1.0	15	M6 x 1.0	5.6	9.5	5.5	1/8	12.5	13.5	28.5

Bore size (mm)	Q	R	S	T	U	VA	VB	WA					WB					X	XA	XB	YY	YL	Z
								30 st or less	Over 30 st to 100 st	Over 100 st to 200 st	Over 200 st to 300 st	Over 300 st	30 st or less	Over 30 st to 100 st	Over 100 st to 200 st	Over 200 st to 300 st	Over 300 st						
12	14	48	22	56	41	50	37	20	40	110	200	-	15	25	60	105	-	23	3	3.5	M5 x 0.8	10	5
16	16	54	25	62	46	56	38	24	44	110	200	-	17	27	60	105	-	24	3	3.5	M5 x 0.8	10	5
20	18	70	30	81	54	72	44	24	44	120	200	300	29	39	77	117	167	28	3	3.5	M6 x 1.0	12	17
25	26	78	38	91	64	82	50	24	44	120	200	300	29	39	77	117	167	34	4	4.5	M6 x 1.0	12	17

**MGPM (Slide bearing) A, DB, E Dimensions**

Bore size (mm)	A			DB	E		
	50 st or less	Over 50 st to 100 st	Over 100 st		50 st or less	Over 50 st to 100 st	Over 100 st
12	42	60.5	85	8	0	18.5	43
16	46	64.5	95	10	0	18.5	49

**MGPM (Slide bearing) A, DB, E Dimensions**

Bore size (mm)	A			DB	E		
	50 st or less	Over 50 st to 200 st	Over 200 st		50 st or less	Over 50 st to 200 st	Over 200 st
20	53	84.5	122	12	0	31.5	69
25	53.5	85	122	16	0	31.5	68.5

**MGPL (Ball bushing bearing) A, DB, E Dimensions**

Bore size (mm)	A			DB	E		
	30 st or less	Over 30 st to 100 st	Over 100 st		30 st or less	Over 30 st to 100 st	Over 100 st
12	43	55	85	6	1	13	43
16	49	65	95	8	3	19	49

**MGPL (Ball bushing bearing) A, DB, E Dimensions**

Bore size (mm)	A				DB	E			
	30 st or less	Over 30 st to 100 st	Over 100 st to 200 st	Over 200 st		30 st or less	Over 30 st to 100 st	Over 100 st to 200 st	Over 200 st
20	63	80	104	122	10	10	27	51	69
25	69.5	85.5	104.5	122	13	16	32	51	68.5

I

CJP

CJ1

DNC

DNCB

DNG

C95

SI

CS1

MB

SU

SC

DSNU

C85

CJ2

CM2

MA

MAL

ADVU

CQ2

CQS

SDA

CU

DPZ

CXS

TN

ADVUL

CQM

MGP

MGG

CRA1

CY1B

CS

Auto switch

D

Auto switch

AC,AD

HR

RB

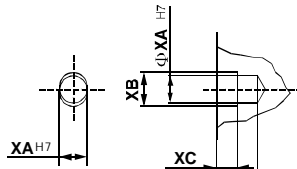
RBQ

# Compact Guide Cylinder

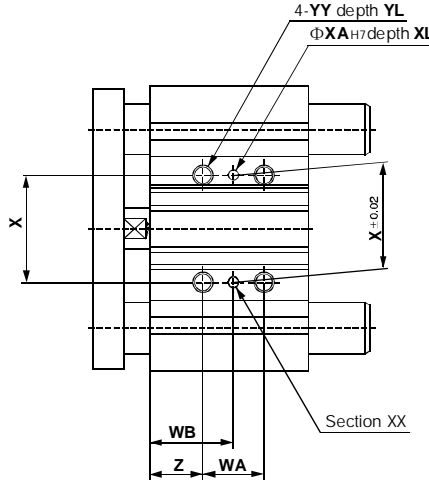
## Double Acting, Single Rod

# Series MGP

MGPM□-□ Φ32,40,50,63  
MGPL□-□ Φ32,40,50,63

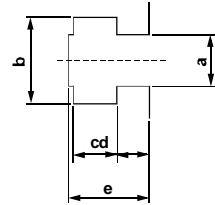


Detailed figure of XX section

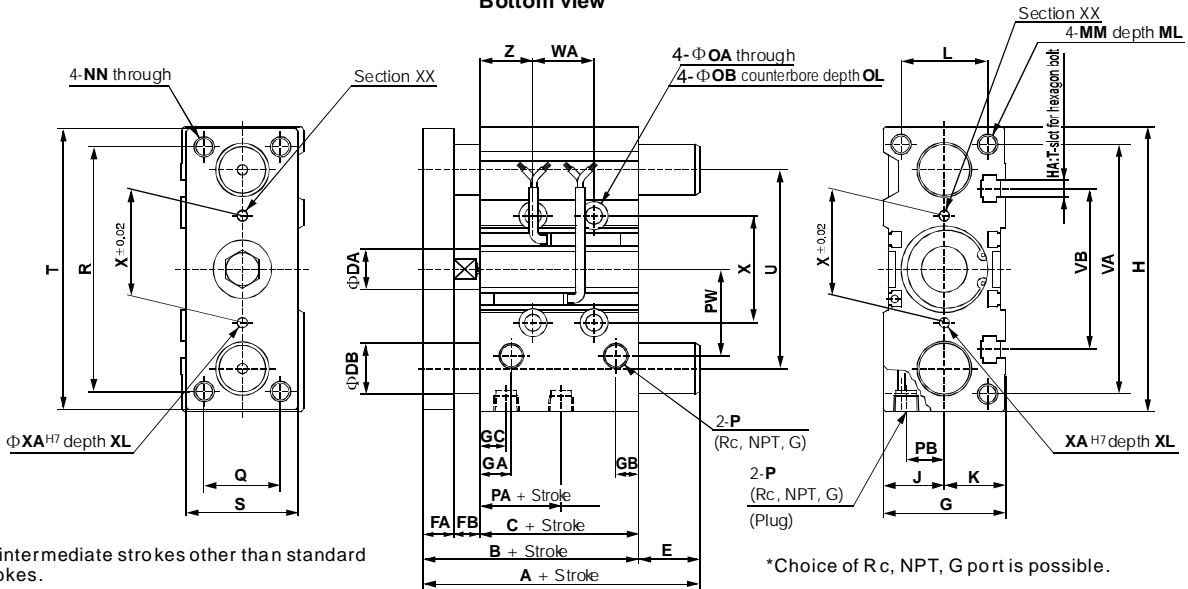


Bottom view

T-slot dimensions



Bore size (mm)	a	b	c	d	e
32	6.5	10.5	5.5	3.5	9.5
40	6.5	10.5	5.5	4.0	11
50	8.5	13.5	7.5	4.5	13.5
63	11	17.8	10	7	18.5



\*For intermediate strokes other than standard strokes.

\*Choice of Rc, NPT, G port is possible.

### MGPM, MGPL Common Dimensions

Bore size (mm)	Standard stroke (mm)	B	C	DA	FA	FB	G	GA	GB	GC	H	HA	J	K	L	MM	ML	NN	OA	OB	OL	P	PA	PB	PW	Q
32	25, 50, 75, 100,	59.5	37.5	16	12	10	48	12.5	9	12.5	112	M6	24	24	34	M8 x 1.25	20	M8 x 1.25	6.6	11	7.5	1/8	7	15	34	30
	125, 150, 175, 200	66	44	16	12	10	54	14	10	14	120	M6	27	27	40	M8 x 1.25	20	M8 x 1.25	6.6	11	7.5	1/8	13	18	38	30
50	250, 300, 350, 400	72	44	20	16	12	64	14	11	12	148	M8	32	32	46	M10 x 1.5	22	M10 x 1.5	8.6	14	9	1/4	9	21.5	47	40
63		77	49	20	16	12	78	16.5	13.5	16.5	162	M10	39	39	58	M10 x 1.5	22	M10 x 1.5	8.6	14	9	1/4	14	28	55	50

Bore size (mm)	R	S	T	U	VA	VB	WA					WB					X	XA	XB	XC	XL	YY	YL	Z
							25 st or less	Over 25 st to 100 st	Over 100 st to 200 st	Over 200 st to 300 st	Over 300 st	25 st or less	Over 25 st to 100 st	Over 100 st to 200 st	Over 200 st to 300 st	Over 300 st								
32	96	44	110	78	98	63	24	48	124	200	300	33	45	83	121	171	42	4	4.5	3	6	M8 x 1.25	16	21
40	104	44	118	86	106	72	24	48	124	200	300	34	46	84	122	172	50	4	4.5	3	6	M8 x 1.25	16	22
50	130	60	146	110	130	92	24	48	124	200	300	36	48	86	124	174	66	5	6	4	8	M10 x 1.5	20	24
63	130	70	158	124	142	110	28	52	128	200	300	38	50	88	124	174	80	5	6	4	8	M10 x 1.5	20	24

### MGPM (Slide bearing) A, DB, E Dimensions

Bore size (mm)	A			DB	E		
	50 st or less	Over 50 st to 200 st	Over 200 st		50 st or less	Over 50 st to 200 st	Over 200 st
32	97	102	140	20	37.5	42.5	80.5
40	97	102	140	20	31	36	74
50	106.5	118	161	25	34.5	46	89
63	106.5	118	161	25	29.5	41	84

### MGPL (Ball bushing bearing) A, DB, E Dimensions

Bore size (mm)	A				DB	E			
	30 st or less	Over 30 st to 100 st	Over 100 st to 200 st	Over 200 st		30 st or less	Over 30 st to 100 st	Over 100 st to 200 st	Over 200 st
32	81	98	118	140	16	21.5	38.5	58.5	80.5
40	81	98	118	140	16	15	32	52	74
50	93	114	134	161	20	21	42	62	89
63	93	114	134	161	20	16	37	57	84

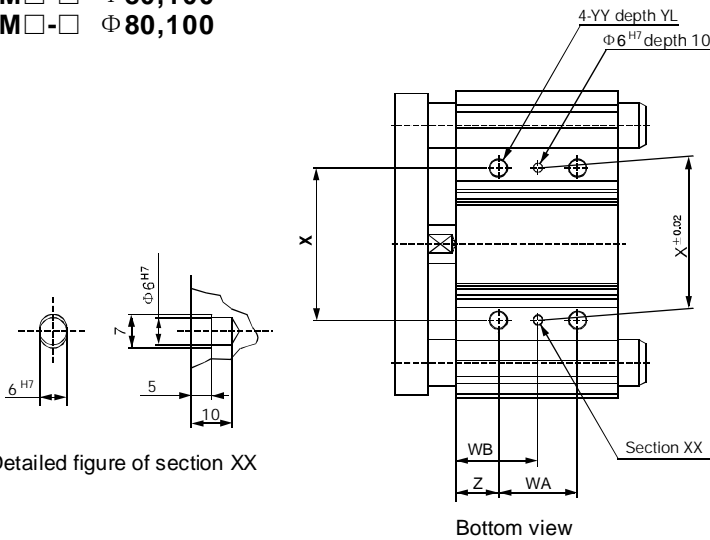
# Compact Guide Cylinder

## Double Acting, Single Rod

# Series MGP



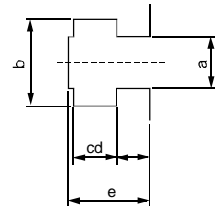
MGPM□-□  $\Phi$  80,100  
 MGPM□-□  $\Phi$  80,100



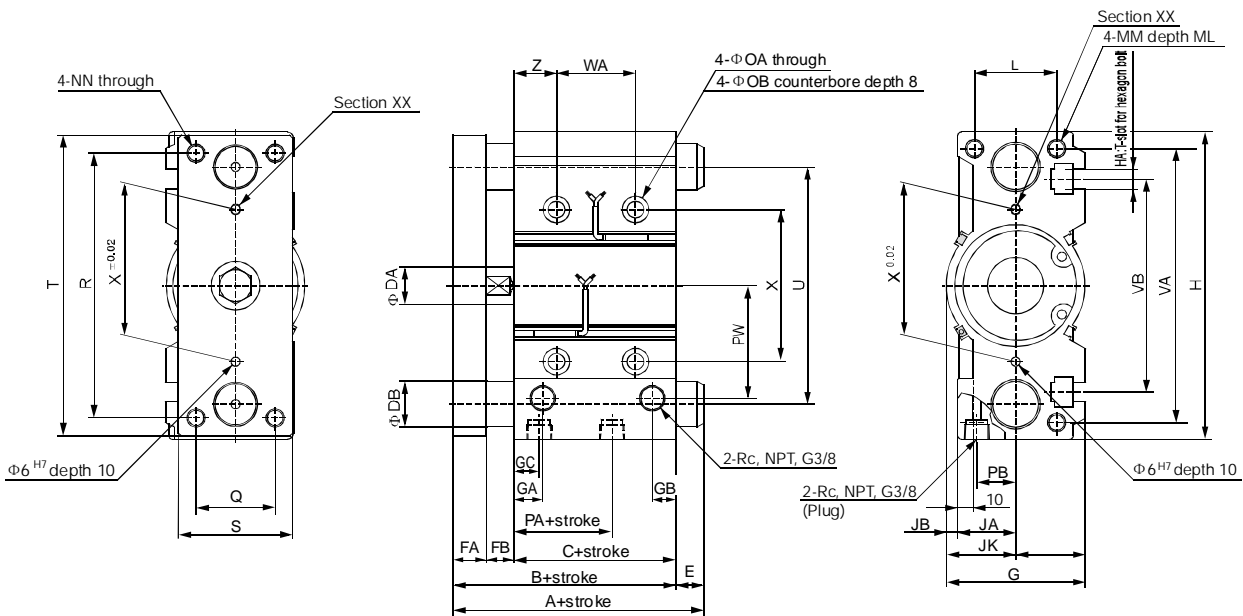
Detailed figure of section XX

Bottom view

### T-slot dimensions



Bore size (mm)	a	b	c	d	e
80	13.3	20.3	12	8	22.5
100	15.3	23.3	13.5	10	30



### MGPM, MGPL Common Dimensions

Bore size (mm)	Standard stroke (mm)	B	C	DA	FA	FB	G	GA	GB	GC	H	HA	J	K	L	MM	ML	NN	OA	OB	OL	P	PA	PB	PW	Q	R
80	25, 50, 75, 100, 125, 150, 175, 200	96.5	56.5	25	22	18	91.5	19	15.5	14.5	202	M12	45.5	38	7.5	46	54	M12 x 1.75	25	M12 x 1.75	10.6	17.5	14.5	25.5	74	52	174
100	250, 300, 350, 400	116	66	30	25	25	111.5	23	19	17.5	240	M14	55.5	45	10.5	56	62	M14 x 2.0	31	M14 x 2.0	12.5	20	17.5	32.5	89	64	210

Bore size (mm)	S	T	U	VA	VB	WA					WB					X	YY	YL	Z
						25 st or less	Over 25 st to 100 st	Over 100 st to 200 st	Over 200 st to 300 st	Over 300 st	25 st or less	Over 25 st to 100 st	Over 100 st to 200 st	Over 200 st to 300 st	Over 300 st				
80	75	198	156	180	140	28	52	128	200	300	42	54	92	128	178	100	M12 x 1.75	24	28
100	90	236	188	210	166	11	72	148	220	320	35	47	85	121	171	124	M14 x 2.0	28	11

### MGPM (Slide bearing) A, DB, E Dimensions

Bore size (mm)	A			DB	E		
	50 st or less	Over 50 st to 200 st	Over 200 st		50 st or less	Over 50 st to 200 st	Over 200 st
80	115	142	193	30	18.5	45.5	96.5
100	137	162	203	36	21	46	87

### MGPL (Ball bushing bearing) A, DB, E Dimensions

Bore size (mm)	A				DB	E			
	25 st or less	Over 25 st to 50 st	Over 50 st to 200 st	Over 200 st		25 st or less	Over 25 st to 50 st	Over 50 st to 200 st	Over 200 st
80	109.5	130	160	193	25	13	33.5	63.5	96.5
100	121	147	180	203	30	5	31	64	87

I

CJP

CJ1

DNC

DNCB

DNG

C95

SI

CS1

MB

SU

SC

DSNU

C85

CJ2

CM2

MA

MAL

ADVU

CQ2

CQS

SDA

CU

DPZ

CXS

TN

ADVUL

CQM

MGP

MGG

CRA1

CY1B

CS

Auto switch

D

Auto switch

AC,AD

HR

RB

RBQ