

One-touch Fittings Series KQ2

ANSSION
PNEUMATIC & HYDRAULIC



APPLICABLE TUBING

Tube material	Polyurethane(PU), Nylon, Soft nylon						
Tube O.D.	Φ3.2	Φ4	Φ6	Φ8	Φ10	Φ12	Φ16
Code	23	04	06	08	10	12	16

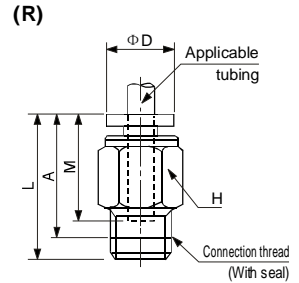
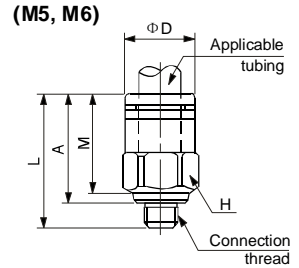
CONNECTION THREAD

Thread	With seal glue					
Thread size	M5×0.8	M6×1.0	R(Rc)1/8	R(Rc)1/4	R(Rc)3/8	R(Rc)1/2
Code	M5	M6	01	02	03	04


Male Connector: KQ2H

(M5, M6)	Applicable tubing O.D. (mm)	Connection thread R	Model	H (width across flats)	ΦD1	L	A	M	Effective area (mm ²)		Weight (g)
									Nylon	Urethane	
	3.2	M5×0.8	KQ2H23-M5	7	7	16.7	13.6	12.7	3	2.5	2.1
		1/8	KQ2H23-01S	10	-	22	18	15.5	3.4	2.9	9
		1/4	KQ2H23-02S	14	-	19.5	13.5	15.5	3.4	2.9	16
	4	M5×0.8	KQ2H04-M5	8	8	17	13.9	12.7	4	4	2.4
		M6×1.0	KQ2H04-M6	8	8	18	13.9	12.7	4	4	2.5
		1/8	KQ2H04-01S	10	-	22	18	16	5.6	4	9
	4	1/4	KQ2H04-02S	14	-	19.5	13.5	16	5.6	4	16
		M5×0.8	KQ2H06-M5	10	10	17.8	14.7	13.5	4	4	3.3
		M6×1.0	KQ2H06-M6	10	10	19	14.9	13.5	4	4	3.4
	6	1/8	KQ2H06-01S	12	-	22.5	18.5	17	13.1	10.4	16
		1/4	KQ2H06-02S	14	-	23	17	17	13.1	10.4	14
		3/8	KQ2H06-03S	17	-	22	15.5	17	13.1	10.4	27
	8	1/8	KQ2H08-01S	14	-	28	24	18.5	26.1	18.0	21
		1/4	KQ2H08-02S	14	-	26.5	20.5	18.5	26.1	18.0	19
		3/8	KQ2H08-03S	17	-	22	15.5	18.5	26.1	18.0	26
	10	1/8	KQ2H10-01S	17	-	30	26	21	26.1	26.1	19
		1/4	KQ2H10-02S	17	-	33.5	27.5	21	41.5	29.5	30
		3/8	KQ2H10-03S	17	-	29	22.5	21	41.5	29.5	30
	12	1/2	KQ2H10-04S	22	-	27	19	21	41.5	29.5	53
		1/4	KQ2H12-02S	19	-	34.5	28.5	22	58.3	46.1	42
		3/8	KQ2H12-03S	19	-	30	23.5	22	58.3	46.1	34
	16	1/2	KQ2H12-04S	22	-	30	22	22	58.3	46.1	51
		3/8	KQ2H16-03S	24	25.7	39.5	33	25	81	(81)	61
		1/2	KQ2H16-04S	24	25.7	35.5	27.5	25	113	(96)	47

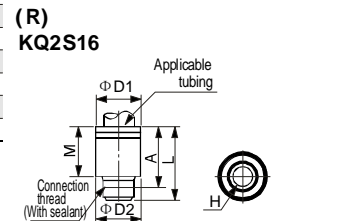
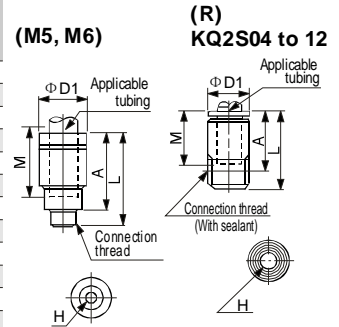
Use to pipe in the same direction from female thread. Most general style.



Hexagon Socket Head Male Connector: KQ2S

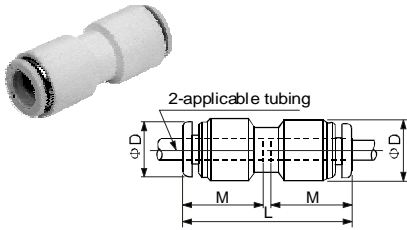
(R)	Applicable tubing O.D. (mm)	Connection thread R	Model	H (width across flats)	ΦD1	ΦD2	L	A	M	Effective area (mm ²)		Weight (g)
										Nylon	Urethane	
	4	M5×0.8	KQ2S04-M5	2.5	8	-	18.7	15.6	12.7	4	4	2.7
		M6×1.0	KQ2S04-M6	3	8	-	18.2	14.1	12.7	4	4	2.8
		1/8	KQ2S04-01S	3	9.8	-	23	19	16	4.1	3.6	8
	6	M5×0.8	KQ2S06-M5	2.5	10	-	19.5	16.4	13.5	4	4	3.3
		M6×1.0	KQ2S06-M6	3	10	-	19.1	15	13.5	4	4	3.4
		1/8	KQ2S06-01S	4	11.8	-	24	20	17	10.0	9.9	9
	8	1/4	KQ2S06-02S	4	13.8	-	24	18	17	10.7	10.0	15
		1/8	KQ2S08-01S	5	14	-	28	24	18.5	17.2	16.2	12
		1/4	KQ2S08-02S	6	14	-	25.5	19.5	18.5	23.3	16.2	11
	10	3/8	KQ2S08-03S	6	17	-	27.5	21	18.5	23.3	16.2	24
		1/8	KQ2S10-01S	5	17	-	30	26	21	17.2	16.2	18
		1/4	KQ2S10-02S	8	17	-	27.5	21.5	21	39.0	26.6	12
	12	3/8	KQ2S10-03S	8	17	-	27.5	21	21	39.0	26.6	19
		1/2	KQ2S10-04S	8	22	-	28	20	21	39.0	26.6	35
		1/4	KQ2S12-02S	8	19	-	33.5	27.5	22	46.0	44.5	23
	16	3/8	KQ2S12-03S	10	19	-	29	22.5	22	60.0	44.5	18
		1/2	KQ2S12-04S	10	22	-	28	20	22	60.0	44.5	30
		3/8	KQ2S16-03S	10	25.7	24	39	32.5	25	81	(81)	42
	1/2	KQ2S16-04S	12	25.7	24	35	27	25	113	(96)	34	

Internal hex allows thread connection by using an allen wrench for confined spaces.



One-touch Fittings Series KQ2

Straight Union: KQ2H



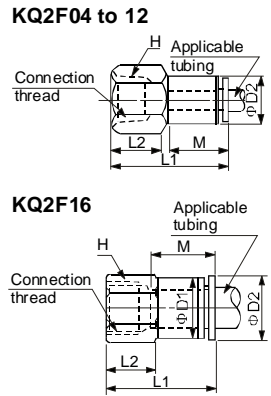
Applicable tubing O.D. (mm)	Model	ΦD1	L	M	Effective area (mm ²)		Weight (g)
					Nylon	Urethane	
3.2	KQ2H23-00	9.6	31.5	15.5	3.4	2.9	3
4	KQ2H04-00	10.4	32.5	16	5.6	4	3
6	KQ2H06-00	12.8	34.5	17	13.1	10.4	4
8	KQ2H08-00	15.2	38.5	18.5	26.1	18.0	6
10	KQ2H10-00	18.5	42.5	21	41.5	29.5	11
12	KQ2H12-00	20.9	44.5	22	58.3	46.1	14
16	KQ2H16-00	26.5	51	25	113	(96)	24

Use to connect tubes in the same direction.

Female Connector: KQ2F

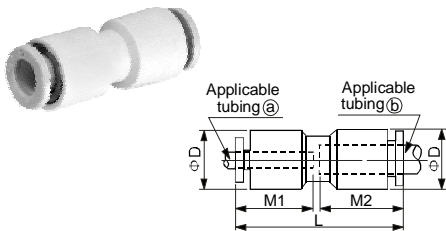


Applicable tubing O.D. (mm)	Connection thread Rc	Model	H (width across flats)	ΦD1	ΦD2	L1	L2	M	Effective area (mm ²)		Weight (g)
									Nylon	Urethane	
4	1/8	KQ2F04-01	14	-	10	27	11	16	5.6	4	15
	1/4	KQ2F04-02	17	-	10	31	14	16	5.6	4	23
6	1/8	KQ2F06-01	14	-	12	27.5	11	17	13.1	10.4	15
	1/4	KQ2F06-02	17	-	12	31	13	17	13.1	10.4	22
8	3/8	KQ2F06-03	19	-	12	33.5	15	17	13.1	10.4	25
	1/8	KQ2F08-01	14	-	14	29	11	18.5	26.1	18.0	17
10	1/4	KQ2F08-02	17	-	14	32.5	13	18.5	26.1	18.0	24
	3/8	KQ2F08-03	19	-	14	33.5	14	18.5	26.1	18.0	27
12	1/4	KQ2F10-02	17	-	17	34.5	14	21	41.5	29.5	24
	3/8	KQ2F10-03	19	-	17	36.5	15	21	41.5	29.5	30
16	1/2	KQ2F12-04	24	-	19	41	18	22	58.3	46.1	52
	3/8	KQ2F12-03	19	-	19	37	14	22	58.3	46.1	31
16	3/8	KQ2F16-03	24	24	25.7	38	15	25	81	(81)	59
	1/2	KQ2F16-04	24	24	25.7	43	19	25	113	(96)	58



Use to pipe from male thread such as pressure gauge.

Different Diameter Straight: KQ2H



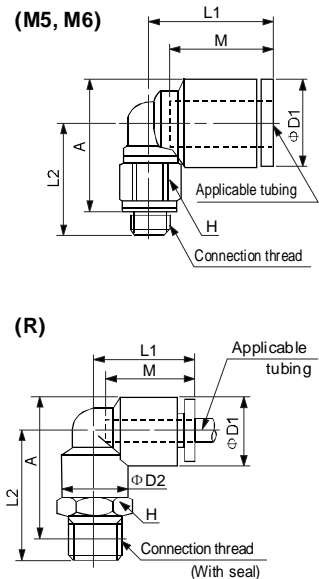
Applicable tubing O.D. (mm)		Model	ΦD	L	M1	M2	Effective area (mm ²)		Weight (g)
(a)	(b)						Nylon	Urethane	
3.2	4	KQ2H23-04	10.4	32.5	15.5	16	3.4	2.9	3
4	6	KQ2H04-06	12.8	34.5	16	17	5.6	5.6	5
6	8	KQ2H06-08	15.2	38.5	17	18.5	13.1	10.4	6
8	10	KQ2H08-10	18.5	42	18.5	21	26.1	18.0	11
10	12	KQ2H10-12	20.9	44.5	21	22	41.5	29.5	14
12	16	KQ2H12-16	26.5	56.5	22	25	58.3	46.1	47

Use to connect different sized tubes

Male Elbow: KQ2L



(M5)	Applicable tubing O.D. (mm)	Connection thread R	Model	H (width across flats)	ΦD1	ΦD2	L1	L2	A	M	Effective area (mm ²)		Weight (g)
											Nylon	Urethane	
3.2	M5 × 0.8	1/8	KQ2L23-01S	7	8.5	-	15.3	13.2	14.3	12.7	2.6	2.2	2.5
		1/4	KQ2L23-02S	10	9.6	10	17.5	21.5	22.5	15.5	3	2.5	8
		1/4	KQ2L23-02S	14	9.6	10	17.5	25.5	24.5	15.5	3	2.5	18
4	M5 × 0.8	1/8	KQ2L04-M5	7	9.3	-	15.6	13.7	15.3	12.7	3.5	3.5	2.7
		1/4	KQ2L04-M6	8	9.3	-	15.6	14.7	15.3	12.7	3.5	3.5	3.6
		1/8	KQ2L04-01S	10	10.4	10	18	22	23	16	4.2	4.2	10
6	M6 × 1.0	1/4	KQ2L04-02S	14	10.4	10	18	26	25	16	4.2	4.2	19
		1/8	KQ2L06-M5	7	11.6	-	16.1	14.7	17.4	13.5	3.5	3.5	3.2
		1/4	KQ2L06-M6	8	11.6	-	16.1	15.7	17.4	13.5	3.5	3.5	4.1
8	1/8	1/8	KQ2L06-01S	10	12.8	10	20	23	25.5	17	11.4	9.0	12
		1/4	KQ2L06-02S	14	12.8	10	20	27	27.5	17	11.4	9.0	22
		3/8	KQ2L06-03S	17	12.8	10	20	29	29	17	11.4	9.0	33
10	1/4	1/8	KQ2L08-01S	12	15.2	12	23	24.4	28	18.5	21.6	14.9	13
		1/4	KQ2L08-02S	14	15.2	12	23	28.5	30	18.5	21.6	14.9	21
		3/8	KQ2L08-03S	17	15.2	12	23	30.5	31.5	18.5	21.6	14.9	35
12	1/2	1/8	KQ2L10-01S	17	18.5	17	26.5	27	32	21	21.6	14.9	25
		1/4	KQ2L10-02S	17	18.5	17	26.5	30	33	21	35.2	25.0	26
		3/8	KQ2L10-03S	17	18.5	17	26.5	32	34.5	21	35.2	25.0	36
16	3/8	1/2	KQ2L10-04S	22	18.5	17	26.5	36	37	21	35.2	25.0	63
		1/4	KQ2L12-02S	17	20.9	17	28.5	31	35.5	22	50.2	39.7	28
		1/2	KQ2L12-04S	22	20.9	17	28.5	37	39.5	22	50.2	39.7	65
16	1/2	3/8	KQ2L16-03S	22	26.5	20.9	34	38	44.5	25	71	(71)	101
		1/2	KQ2L16-04S	22	26.5	20.9	34	41	46	25	100	(84)	105

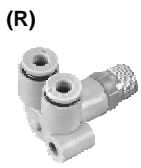


Use to pipe at right angles to female thread. Most general style.

One-touch Fittings Series KQ2

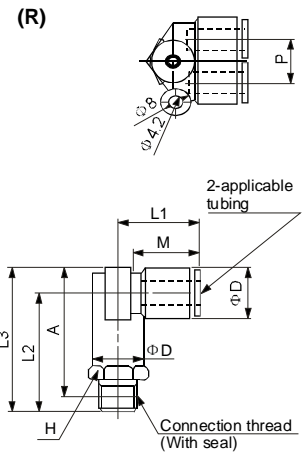
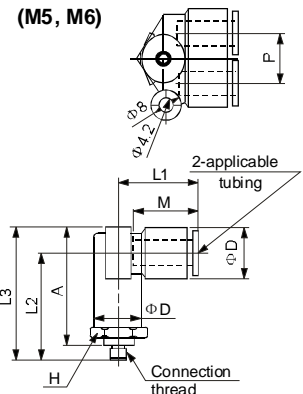


Male Branch Connector: KQ2LU



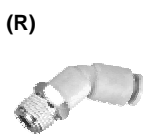
Applicable tubing O.D. (mm)	Connection thread R	Model	H (width across flats)	Φ D	L1	L2	L3	A	M	P	Effective area (mm ²)		Weight (g)
											Nylon	Urethane	
4	M5×0.8	KQ2LU04-M5	11	10.4	18.5	24	29.5	25.5	16	10.4	4.3	4.1	10
	M6×1.0	KQ2LU04-M6	11	10.4	18.5	24.5	30	25.5	16	10.4	4.3	4.1	10
	1/8	KQ2LU04-01S	11	10.4	18.5	26.5	32	27.5	16	10.4	6.0	4.1	12
	1/4	KQ2LU04-02S	14	10.4	18.5	30.5	36	30	16	10.4	6.0	4.1	21
6	M5×0.8	KQ2LU06-M5	13	12.8	21	26.5	33	29.5	17	12.8	4.3	4.3	13
	M6×1.0	KQ2LU06-M6	13	12.8	21	27	33.5	29.5	17	12.8	4.3	4.3	13
	1/8	KQ2LU06-01S	13	12.8	21	29.5	36	32	17	12.8	13.9	11.0	15
	1/4	KQ2LU06-02S	14	12.8	21	33	39.5	33.5	17	12.8	13.9	11.0	22
8	1/8	KQ2LU06-03S	17	12.8	21	35	41.5	35	17	12.8	13.9	11.0	35
	1/8	KQ2LU08-01S	17	15.2	24	34	41.5	38	18.5	15.2	26.3	18.2	27
	1/4	KQ2LU08-02S	17	15.2	24	37	44.5	38.5	18.5	15.2	26.3	18.2	27
	3/8	KQ2LU08-03S	17	15.2	24	38	45.5	39	18.5	15.2	26.3	18.2	35
10	1/4	KQ2LU10-02S	19	18.5	27	40	49.5	43.5	21	18.5	40.8	29.0	41
	3/8	KQ2LU10-03S	19	18.5	27	41	50.5	44	21	18.5	40.8	29.0	42
12	1/2	KQ2LU10-04S	22	18.5	27	44.5	54	45.5	21	18.5	40.8	29.0	64
	1/4	KQ2LU12-02S	22	20.9	29	42.5	53	47	22	20.9	57.2	45.2	57
	3/8	KQ2LU12-03S	22	20.9	29	43.5	54	47.5	22	20.9	57.2	45.2	58
	1/2	KQ2LU12-04S	22	20.9	29	46.5	57	49	22	20.9	57.2	45.2	65

Use to branch piping at right angles to female thread.



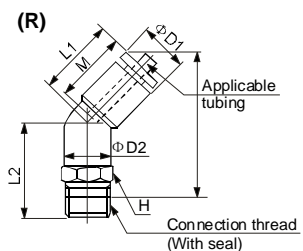
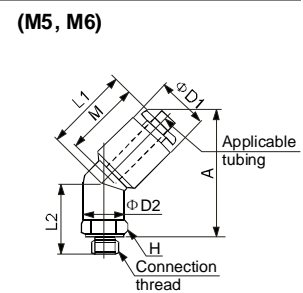
- IV
- KJ
- KQ2**
- RP
- GP
- PF
- PN
- PK
- PB
- Y
- MQC
- BSL
- AS
- RQ
- PU
- AG,DG

45° Male Elbow: KQ2K



Applicable tubing O.D. (mm)	Connection thread R	Model	H (width across flats)	Φ D1	Φ D2	L1	L2	A	M	Effective area (mm ²)		Weight (g)
										Nylon	Urethane	
4	M5×0.8	KQ2K04-M5	8	10.4	8	17	14.5	26	16	3.4	3.4	4
	M6×1.0	KQ2K04-M6	8	10.4	8	17	15	26	16	3.4	3.4	5
	1/8	KQ2K04-01S	10	10.4	10	17	20.5	32	16	3.4	3.4	10
	1/4	KQ2K04-02S	14	10.4	10	17	24.5	34	16	3.4	3.4	19
6	M5×0.8	KQ2K06-M5	8	12.8	8	18	14.5	27.5	17	3.4	3.4	6
	M6×1.0	KQ2K06-M6	8	12.8	8	18.5	15	27.5	17	3.4	3.4	5
	1/8	KQ2K06-01S	10	12.8	10	18	20.5	33	17	8.7	6.9	12
	1/4	KQ2K06-02S	14	12.8	10	18	24.5	35	17	8.7	6.9	10
8	3/8	KQ2K06-03S	17	12.8	10	18	26.5	36.5	17	8.7	6.9	33
	1/8	KQ2K08-01S	12	15.2	12	20.5	22	37	18.5	19.7	19.7	13
	1/4	KQ2K08-02S	14	15.2	12	20.5	26	39	18.5	19.7	19.7	21
	3/8	KQ2K08-03S	17	15.2	12	20.5	28	41	18.5	19.7	19.7	35
10	1/8	KQ2K10-01S	17	18.5	17	24	24	42	21	30.9	23.2	25
	1/4	KQ2K10-02S	17	18.5	17	24	27	43.5	21	30.9	23.2	26
	3/8	KQ2K10-03S	17	18.5	17	24	29	45	21	30.9	23.2	36
	1/2	KQ2K10-04S	22	18.5	17	24	33	47.5	21	30.9	23.2	63
12	1/4	KQ2K12-02S	17	20.9	17	25	27.5	45.5	22	44.5	35.1	28
	3/8	KQ2K12-03S	17	20.9	17	25	29.5	47.5	22	44.5	35.1	38
	1/2	KQ2K12-04S	22	20.9	17	25	33.5	49.5	22	44.5	35.1	65
	3/8	KQ2K16-03S	22	26.5	20.9	30	32	55	25	65.8	(65.8)	52
16	1/2	KQ2K16-04S	22	26.5	20.9	30	35	56.5	25	91.9	(78.3)	58

Use to pipe in 45° direction from female thread. Model in-between of male connector and male elbow.

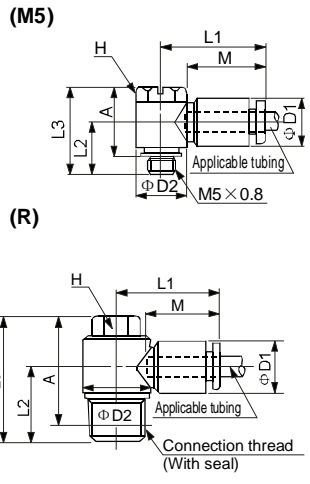


One-touch Fittings Series KQ2

Universal Male Elbow: KQ2V

(R)	Applicable tubing O.D. (mm)	Connection thread R	Model	H (width across flats)	ΦD1	ΦD2	L1	L2	L3	A	M	Effective area (mm ²)		Weight (g)
												Nylon	Urethane	
												4	M5×0.8	
	1/8	KQ2V04-01S	8	10.4	13.4	22	14.5	26.5	22.5	16	2.9	2.9	14	
6	M5×0.8	KQ2V06-M5	8	12.8	9.8	23.5	12	18.5	15	17	3.8	3.8	7	
	1/8	KQ2V06-01S	8	12.8	13.4	24	14.5	26.5	22.5	17	7.5	5.9	15	
	1/4	KQ2V06-02S	10	12.8	15.4	23.5	18.5	31	25	17	7.5	5.9	26	
	1/8	KQ2V08-01S	12	15.2	17.6	28.5	15.5	28.5	24.5	18.5	16	11.2	24	
8	1/4	KQ2V08-02S	12	15.2	17.6	28.5	18.5	31.5	25.5	18.5	16	11.2	30	
	3/8	KQ2V08-03S	14	15.2	20.6	27.5	20.5	36.5	30	18.5	20.5	14.3	47	
10	1/4	KQ2V10-02S	14	18.5	20.6	31	19.5	35.5	29.5	21	27	20.3	40	
	3/8	KQ2V10-03S	14	18.5	20.6	31	20.5	36.5	30	21	27	20.3	49	
12	3/8	KQ2V12-03S	17	20.9	25.2	34	22	38.5	32	22	39	30.8	63	
	1/2	KQ2V12-04S	17	20.9	25.2	34	25	41.5	33.5	22	39	30.8	80	
16	3/8	KQ2V16-03S	21	26.5	32.3	39	26.5	46.5	40.5	25	55	(55)	103	
	1/2	KQ2V16-04S	21	26.5	32.3	39	29.5	49.5	41.5	25	78	(65)	110	

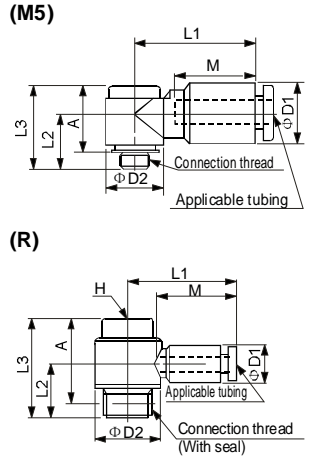
Universal male elbow allows thread connection by using a socket wrench for confined spaces.



Hexagon Socket Head Universal Male Elbow: KQ2VS

(R)	Applicable tubing O.D. (mm)	Connection thread R	Model	H (width across flats)	ΦD1	ΦD2	L1	L2	L3	A	M	Effective area (mm ²)		Weight (g)
												Nylon	Urethane	
												4	M5×0.8	
	1/8	KQ2VS04-01S	6	10.4	13.4	22	14.5	26.5	22.5	16	2.9	2.9	14	
6	M5×0.8	KQ2VS06-M5	4	12.8	9.8	23.5	12	18	15	17	3.8	3.8	7	
	1/8	KQ2VS06-01S	6	12.8	13.4	24	14.5	26.5	22.5	17	7.5	5.9	15	
	1/4	KQ2VS06-02S	6	12.8	15.4	23.5	18.5	27	21	17	7.5	5.9	22	
	1/8	KQ2VS08-01S	8	15.2	17.6	28.5	15.5	27	23	18.5	16	11.2	24	
8	1/4	KQ2VS08-02S	8	15.2	17.6	28.5	18.5	30	24	18.5	16	11.2	30	
	3/8	KQ2VS08-03S	8	15.2	20.6	27.5	20.5	32.5	26	18.5	20.5	14.3	47	
10	1/4	KQ2VS10-02S	8	18.5	20.6	31	19.5	31.5	25	21	27	20.3	32	
	3/8	KQ2VS10-03S	8	18.5	20.6	31	20.5	32.5	26	21	27	20.3	39	
12	3/8	KQ2VS12-03S	10	20.9	25.2	34	22	36	30	22	39	30.8	48	
	1/2	KQ2VS12-04S	10	20.9	25.2	34	25	39	31	22	39	30.8	67	

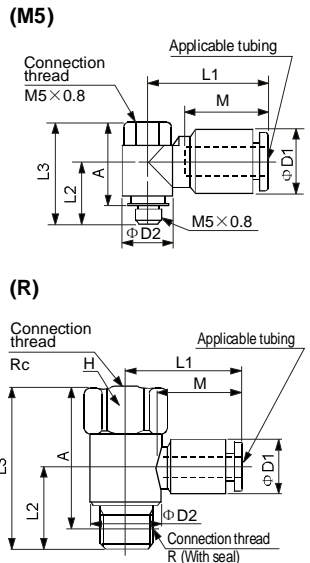
Hex. on the top allows thread connection by using an allen wrench for confined spaces.



Universal Female Elbow: KQ2VF

(R)	Applicable tubing O.D. (mm)	Connection thread R	Model	H (width across flats)	ΦD1	ΦD2	L1	L2	L3	A	M	Effective area (mm ²)		Weight (g)
												Nylon	Urethane	
												4	M5×0.8	
	1/8	KQ2VF04-01S	14	10.4	13.4	22	15.5	29.5	25.5	16	19			
6	M5×0.8	KQ2VF06-M5	8	12.8	9.8	23.5	12.5	20	16	17	7			
	1/8	KQ2VF06-01S	14	12.8	13.4	24.5	15.5	29.5	25.5	17	19			
	1/4	KQ2VF06-02S	17	12.8	17.6	25	20	38.5	32.5	17	36			
	1/8	KQ2VF08-01S	17	15.2	17.6	28.5	17	31	27	18.5	29			
8	1/4	KQ2VF08-02S	17	15.2	17.6	28.5	20	38.5	32.5	18.5	37			
	3/8	KQ2VF08-03S	22	15.2	25.2	29.5	25.5	45.5	39	18.5	66			
10	1/4	KQ2VF10-02S	19	18.5	20.6	31.5	22	41	35	21	48			
	3/8	KQ2VF10-03S	22	18.5	25.2	31.5	24.5	45.5	39	21	68			
12	3/8	KQ2VF12-03S	22	20.9	25.2	34	24.5	45.5	39	22	70			
	1/2	KQ2VF12-04S	24	20.9	27	35	25.5	50	42	22	93			

Use to branch line in the same direction or at the right angles rom male of female thread. Multiplex connection possible.



One-touch Fittings Series KQ2

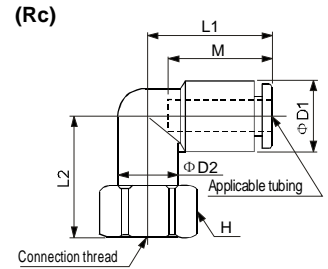
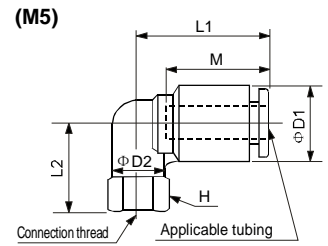


Female Elbow: KQ2LF

(Rc)	Applicable tubing O.D. (mm)	Connection thread Rc	Model	H (width across flats)	Φ D1	Φ D2	L1	L2	M	Effective area (mm ²)		Weight (g)
										Nylon	Urethane	
4	4	M5×0.8	KQ2LF04-M5	8	10.4	8	18.5	14.5	16	3.5	3.5	5
		M6×1.0	KQ2LF04-M6	8	10.4	8	18.5	15.5	16	3.5	3.5	5
		1/8	KQ2LF04-01	14	10.4	10	18.5	21	16	4.2	4.2	13
6	6	1/4	KQ2LF04-02	17	10.4	10	18.5	24.5	16	4.2	4.2	20
		M5×0.8	KQ2LF06-M5	8	12.8	8	20.5	15	17	3.5	3.5	5
		M6×1.0	KQ2LF06-M6	8	12.8	8	20.5	16	17	3.5	3.5	6
		1/8	KQ2LF06-01	14	12.8	10	20.5	22	17	11.4	9.0	13
		1/4	KQ2LF06-02	17	12.8	10	20.5	25.5	17	11.4	9.0	20
		3/8	KQ2LF06-03	19	12.8	10	20.5	26	17	11.4	9.0	20
8	8	1/8	KQ2LF08-01	14	15.2	12	23.5	23	18.5	21.6	14.9	16
		1/4	KQ2LF08-02	17	15.2	12	23.5	26.5	18.5	21.6	14.9	22
		3/8	KQ2LF08-03	19	15.2	12	23.5	27	18.5	21.6	14.9	23
10	10	1/4	KQ2LF10-02	17	18.5	17	26.5	28	21	21.6	14.9	27
		3/8	KQ2LF10-03	19	18.5	17	26.5	28.5	21	35.2	25.0	27
		1/2	KQ2LF10-04	24	18.5	17	26.5	32.5	21	35.2	25.0	46
12	12	1/4	KQ2LF12-02	17	20.9	17	28.5	29.5	22	50.2	39.7	29
		3/8	KQ2LF12-03	19	20.9	17	28.5	30	22	50.2	39.7	29
		1/2	KQ2LF12-04	24	20.9	17	28.5	34	22	50.2	39.7	48



Use to pipe at right angles to male thread.

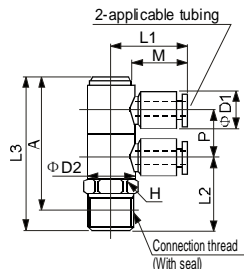


Double Universal Male Elbow: KQ2VD

Applicable tubing O.D. (mm)	Connection thread R	Model	H (width across flats)	Φ D1	Φ D2	L1	L2	L3	A	M	P	Weight (g)
1/4	KQ2VD04-02S	14	10.4	13.4	22	21.5	44	38	16	13.4	29	
3/8	KQ2VD04-03S	17	10.4	13.4	22	23.5	46	40	16	13.4	42	
6	1/8	KQ2VD06-01S	14	12.8	13.4	24.5	18.5	41	37	17	13.4	24
	1/4	KQ2VD06-02S	14	12.8	13.4	24.5	21.5	44	38	17	13.4	30
	3/8	KQ2VD06-03S	17	12.8	13.4	24.5	23.5	46	40	17	13.4	42
8	1/8	KQ2VD08-01S	19	15.2	17.6	28.5	21	48	44	18.5	15.9	53
	1/4	KQ2VD08-02S	19	15.2	17.6	28.5	24	51	45	18.5	15.9	51
	3/8	KQ2VD08-03S	19	15.2	17.6	28.5	25	52	45.5	18.5	15.9	60
10	1/2	KQ2VD08-04S	21	15.2	17.6	28.5	28.5	55.5	47.5	18.5	15.9	82
	1/4	KQ2VD10-02S	21	18.5	20.6	31.5	26.5	58	52	21	19.2	71
	3/8	KQ2VD10-03S	21	18.5	20.6	31.5	27.5	59	53	21	19.2	74
12	1/2	KQ2VD10-04S	21	18.5	20.6	31.5	30.5	62	54	21	19.2	91
	1/4	KQ2VD12-02S	26	20.9	25.2	34	28.5	64.5	58.5	22	21.6	118
	3/8	KQ2VD12-03S	26	20.9	25.2	34	29.5	65.5	59	22	21.6	113
1/2	KQ2VD12-04S	26	20.9	25.2	34	32.5	68.5	60	22	21.6	125	



Use to branch line at right angles to female thread. Two individual parts rotate 360°.

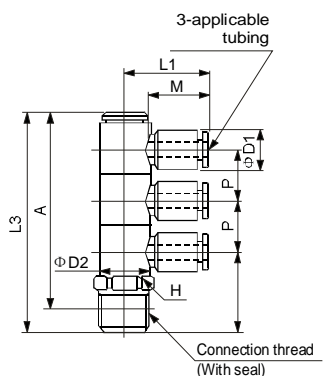


Triple Universal Male Elbow: KQ2VT

Applicable tubing O.D. (mm)	Connection thread R	Model	H (width across flats)	Φ D1	Φ D2	L1	L2	L3	A	M	P	Weight (g)
1/4	KQ2VT04-02S	14	10.4	13.4	22	21.5	57.5	51.5	16	13.4	34	
3/8	KQ2VT04-03S	17	10.4	13.4	22	23.5	59.5	53.5	16	13.4	48	
6	1/8	KQ2VT06-01S	14	12.8	13.4	24.5	18.5	54.5	50.5	17	13.4	31
	1/4	KQ2VT06-02S	14	12.8	13.4	24.5	21.5	57.5	51.5	17	13.4	37
	3/8	KQ2VT06-03S	17	12.8	13.4	24.5	23.5	59.5	53.5	17	13.4	50
8	1/8	KQ2VT08-01S	19	15.2	17.6	28.5	21	64	60	18.5	15.9	71
	1/4	KQ2VT08-02S	19	15.2	17.6	28.5	24	67	61	18.5	15.9	66
	3/8	KQ2VT08-03S	19	15.2	17.6	28.5	25	68	61.5	18.5	15.9	75
10	1/2	KQ2VT08-04S	21	15.2	17.6	28.5	28.5	71.5	63.5	18.5	15.9	96
	1/4	KQ2VT10-02S	21	18.5	20.6	31.5	26.5	77.5	71.5	21	19.2	94
	3/8	KQ2VT10-03S	21	18.5	20.6	31.5	27.5	78.5	72	21	19.2	94
12	1/2	KQ2VT10-04S	21	18.5	20.6	31.5	30.5	81.5	73.5	21	19.2	111
	1/4	KQ2VT12-02S	26	20.9	25.2	34	28.5	86	80	22	21.6	153
	3/8	KQ2VT12-03S	26	20.9	25.2	34	29.5	87	80.5	22	21.6	142
1/2	KQ2VT12-04S	26	20.9	25.2	34	32.5	90	82	22	21.6	154	



Use to three-branch line at right angles from female thread. Three individual parts rotate 360°.



IV

- KJ
- KQ2**
- RP
- GP
- PF
- PN
- PK
- PB
- Y
- MQC
- BSL
- AS
- RQ
- PU
- AG,DG

One-touch Fittings Series KQ2

Branch Universal Male Elbow: KQ2Z

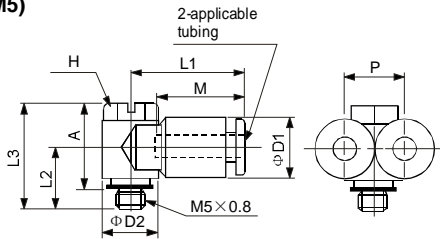
(R)



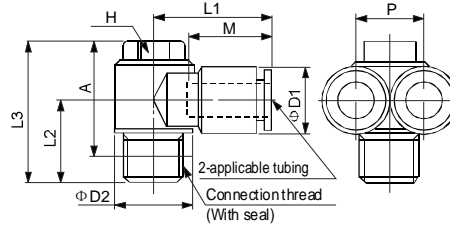
Applicable tubing O.D. (mm)	Connection thread R	Model	H (width across flats)	φ D1	φ D2	L1	L2	L3	A	M	P	Effective area (mm ²)		Weight (g)
												Nylon	Urethane	
4	M5×0.8	KQ2Z04-M5	8	10.4	9.8	19.5	11	18.5	15	16	10.4	3.4	3.4	8
	1/8	KQ2Z04-01S	8	10.4	13.4	21	14.5	26.5	22.5	16	10.4	4.7	4.7	16
6	1/8	KQ2Z06-01S	8	12.8	13.4	22	14.5	26.5	22.5	17	12.8	10.8	8.6	17
	1/4	KQ2Z06-02S	14	12.8	20.6	25.5	19.5	35.5	29.5	17	12.8	10.8	8.6	39
	3/8	KQ2Z06-03S	14	12.8	20.6	25.5	20.5	36.5	30	17	12.8	10.8	8.6	47
8	1/8	KQ2Z08-01S	12	15.2	17.6	26	15.5	28.5	24.5	18.5	15.2	20.5	14.2	27
	1/4	KQ2Z08-02S	12	15.2	17.6	26	18.5	31.5	25.5	18.5	15.2	20.5	14.2	33
	3/8	KQ2Z08-03S	14	15.2	20.6	27	20.5	36.5	30	18.5	15.2	20.5	14.2	49
10	1/4	KQ2Z10-02S	14	18.5	20.6	29	19.5	35.5	29.5	21	18.5	31.8	22.6	46
	3/8	KQ2Z10-03S	14	18.5	20.6	29	20.5	35.5	30	21	18.5	31.8	22.6	54
12	3/8	KQ2Z12-03S	17	20.9	25.2	32.5	22	39	32.5	22	20.9	44.6	35.3	71
	1/2	KQ2Z12-04S	17	20.9	25.2	32.5	25	42	34	22	20.9	44.6	35.3	88

Hexagonal head allows thread connection by using a box wrench. Use for branch connection.

(M5)



(R)



Branch Universal Female Elbow: KQ2ZF

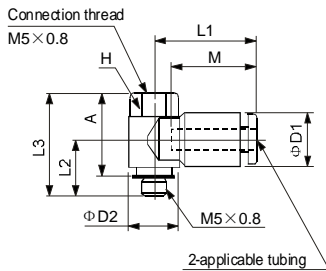
(R)



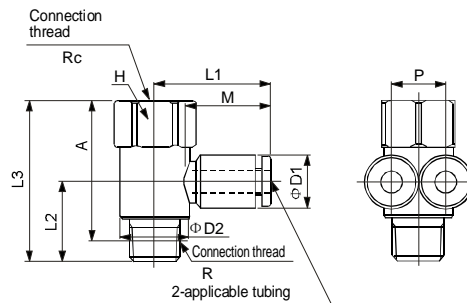
Applicable tubing O.D. (mm)	Connection thread R	Model	H (width across flats)	φ D1	φ D2	L1	L2	L3	A	M	P	Weight (g)	
												Nylon	Urethane
4	M5×0.8	KQ2ZF04-M5	8	10.4	9.8	19.5	11	20	16.5	16	10.4	8	8
	1/8	KQ2ZF04-01S	14	10.4	13.4	21	15.5	29.5	25.5	16	10.4	21	21
6	1/8	KQ2ZF06-01S	14	12.8	13.4	22	15.5	29.5	25.5	17	12.8	21	21
	1/4	KQ2ZF06-02S	19	12.8	20.6	25.5	22	41	35	17	12.8	47	47
8	1/8	KQ2ZF08-01S	17	15.2	17.6	25.5	17	31	27	18.5	15.2	32	32
	1/4	KQ2ZF08-02S	19	15.2	20.6	27	22	41	35	18.5	15.2	49	49
10	1/4	KQ2ZF10-02S	19	18.5	20.6	29	22	41	35	21	18.5	54	54
	3/8	KQ2ZF10-03S	22	18.5	25.2	31.5	24.5	45.5	39	21	18.5	74	74
12	3/8	KQ2ZF12-03S	22	20.9	25.2	32.5	24.5	45.5	39	22	20.9	77	77
	1/2	KQ2ZF12-04S	24	20.9	27	33	25	50	42	22	20.9	101	101

Use to branch line in the same direction or at right angles from male or female thread. Multiplex connection possible.

(M5)



(R)



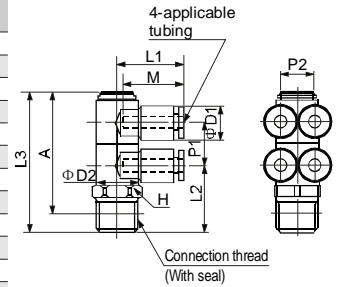
One-touch Fittings Series KQ2



Double Branch Universal Male Elbow: KQ2ZD



Applicable tubing O.D. (mm)	Connection thread R	Model	H (width across flats)	ΦD1	ΦD2	L1	L2	L3	A	M	P1	P2	Weight (g)
4	1/8	KQ2ZD04-01S	14	10.4	13.4	21	18.5	41	37	16	13.4	10.4	34
	1/4	KQ2ZD04-02S	14	10.4	13.4	21	21.5	44	38	16	13.4	10.4	40
	3/8	KQ2ZD04-03S	17	10.4	13.4	21	23.5	48	40	16	13.4	10.4	53
6	1/8	KQ2ZD06-01S	14	12.8	13.4	22	18.5	41	37	17	13.4	12.8	38
	1/4	KQ2ZD06-02S	14	12.8	13.4	22	21.5	44	38	17	13.4	12.8	43
	3/8	KQ2ZD06-03S	17	12.8	13.4	22	23.5	46	40	17	13.4	12.8	57
8	1/8	KQ2ZD08-01S	19	15.2	17.6	26	21	48	44	18.5	15.9	15.2	76
	1/4	KQ2ZD08-02S	19	15.2	17.6	26	24	51	45	18.5	15.9	15.2	72
	3/8	KQ2ZD08-03S	19	15.2	17.6	26	25	52	45.5	18.5	15.9	15.2	81
	1/2	KQ2ZD08-04S	21	15.2	17.6	26	28.5	55.5	47.5	18.5	15.9	15.2	102
10	1/4	KQ2ZD10-02S	21	18.5	20.6	29	26.5	58	52	21	19.2	18.5	111
	3/8	KQ2ZD10-03S	21	18.5	20.6	29	27.5	59	53	21	19.2	18.5	111
	1/2	KQ2ZD10-04S	21	18.5	20.6	29	30.5	62	54	21	19.2	18.5	128
12	1/4	KQ2ZD12-02S	26	20.9	25.2	32	28.5	64.5	58.5	22	21.6	20.9	178
	3/8	KQ2ZD12-03S	26	20.9	25.2	32	29.5	65.5	59	22	21.6	20.9	167
	1/2	KQ2ZD12-04S	26	20.9	25.2	32	32.5	68.5	60	22	21.6	20.9	179

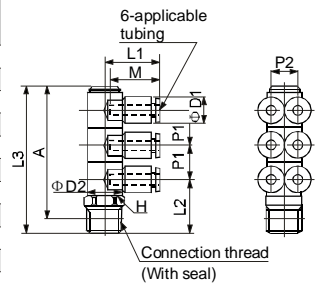


Use to four-branch line at right angles from female thread. Two individual parts rotate 360°.

Triple Branch Universal Male Elbow: KQ2ZT



Applicable tubing O.D. (mm)	Connection thread R	Model	H (width across flats)	ΦD1	ΦD2	L1	L2	L3	A	M	P1	P2	Weight (g)
4	1/8	KQ2ZT04-01S	14	10.4	13.4	21	18.5	54.5	50.5	16	13.4	10.4	25
	1/4	KQ2ZT04-02S	14	10.4	13.4	21	21.5	57.5	51.5	16	13.4	10.4	31
	3/8	KQ2ZT04-03S	17	10.4	13.4	21	23.5	59.5	53.5	16	13.4	10.4	44
6	1/8	KQ2ZT06-01S	14	12.8	13.4	22	18.5	54.5	50.5	17	13.4	12.8	27
	1/4	KQ2ZT06-02S	14	12.8	13.4	22	21.5	57.5	51.5	17	13.4	12.8	33
	3/8	KQ2ZT06-03S	17	12.8	13.4	22	23.5	59.5	53.5	17	13.4	12.8	46
8	1/8	KQ2ZT08-01S	19	15.2	17.6	26	21	64	60	18.5	15.9	15.2	56
	1/4	KQ2ZT08-02S	19	15.2	17.6	26	24	67	61	18.5	15.9	15.2	54
	3/8	KQ2ZT08-03S	19	15.2	17.6	26	25	68	61.5	18.5	15.9	15.2	62
	1/2	KQ2ZT08-04S	21	15.2	17.6	26	28.5	71.5	63.5	18.5	15.9	15.2	85
10	1/4	KQ2ZT10-02S	21	18.5	20.6	29	26.5	77.5	71.5	21	19.2	18.5	83
	3/8	KQ2ZT10-03S	21	18.5	20.6	29	27.5	78.5	72	21	19.2	18.5	85
	1/2	KQ2ZT10-04S	21	18.5	20.6	29	30.5	81.5	73.5	21	19.2	18.5	102
12	1/4	KQ2ZT12-02S	26	20.9	25.2	32	28.5	86	80	22	21.6	20.9	134
	3/8	KQ2ZT12-03S	26	20.9	25.2	32	29.5	87	80.5	22	21.6	20.9	130
	1/2	KQ2ZT12-04S	26	20.9	25.2	32	32.5	90	82	22	21.6	20.9	141



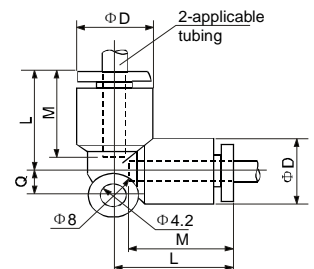
Use to six-branch line at right angles from female thread. Three individual parts rotate 360°.

Union Elbow: KQ2L



Applicable tubing O.D. (mm)	Model	ΦD	L	Q	M	Effective area (mm ²)		Weight (g)
						Nylon	Urethane	
3.2	KQ2L23-00	9.6	17.5	4.3	15.5	3	2.5	3
4	KQ2L04-00	10.4	18	4.5	16	4.2	4.2	6
6	KQ2L06-00	12.8	20	5.3	17	11.4	9.0	6
8	KQ2L08-00	15.2	23	6	18.5	21.6	14.9	10
10	KQ2L10-00	18.5	26.5	6.8	21	35.2	25.0	17
12	KQ2L12-00	20.9	28.5	7.5	22	50.2	39.7	21
16	KQ2L16-00	26.5	34	10	25	100	(84)	29

Use to connect tubes at right angles.



- IV
- KJ
- KQ2**
- RP
- GP
- PF
- PN
- PK
- PB
- Y
- MQC
- BSL
- AS
- RQ
- PU
- AG,DG

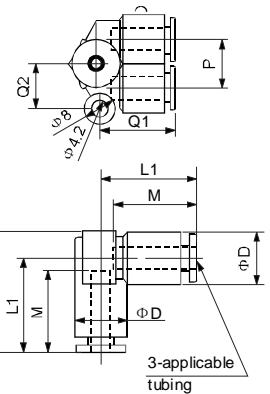
One-touch Fittings Series KQ2

Branch Union Elbow: KQ2LU



Applicable tubing O.D. (mm)	Model	Φ D	L1	L2	Q1	Q2	M	P	Effective area (mm ²)		Weight (g)
									Nylon	Urethane	
4	KQ2LU04-00	10.4	18.5	24	18.5	10	16	10.4	6.0	4.1	6
6	KQ2LU06-00	12.8	21	27.5	20.5	12	17	12.8	13.9	11.0	8
8	KQ2LU08-00	15.2	24	32	24.5	14	18.5	15.2	26.3	18.2	15
10	KQ2LU10-00	18.5	27	36.5	28	16	21	18.5	40.8	29.0	25
12	KQ2LU12-00	20.9	29	40	30	18	22	20.9	57.2	45.2	32

Use to branch line at right angles.

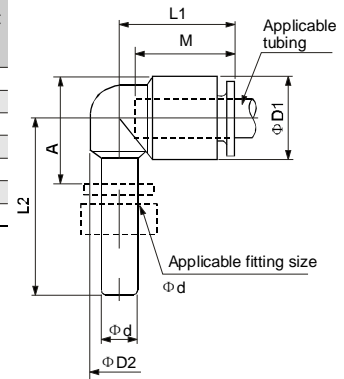


Plug-in Elbow: KQ2L



Applicable tubing O.D. (mm)	Applicable fitting size Φ d	Model	Φ D1	Φ D2	L1	L2	A	M	Effective area (mm ²)		Weight (g)
									Nylon	Urethane	
3.2	3.2	KQ2L23-99	9.6	7	17	24.5	14	15.5	3	2.5	2
4	4	KQ2L04-99	10.4	8	18	25	14.5	16	4.2	4.2	3
6	6	KQ2L06-99	12.8	10	20	27.5	17	17	11.4	9.0	3
8	8	KQ2L08-99	15.2	12	22.5	31.5	21	18.5	21.6	14.9	5
10	10	KQ2L10-99	18.5	14	25.5	35.5	23.5	21	35.2	25.0	9
12	12	KQ2L12-99	20.9	16	27	37.5	26	22	50.2	39.7	10
16	16	KQ2L16-99	26.5	20.9	34	53	41	25	100	(84)	42

Use to change by 90° in a tube fetching from One-touch direction fittings.

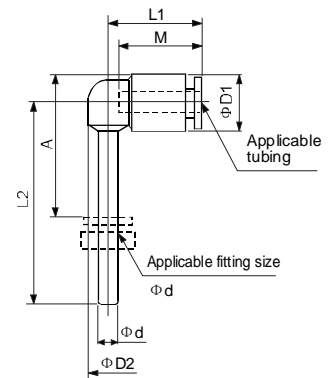


Extended Plug-in Elbow: KQ2W



Applicable tubing O.D. (mm)	Applicable fitting size Φ d	Model	Φ D1	Φ D2	L1	L2	A	M	Effective area (mm ²)		Weight (g)
									Nylon	Urethane	
3.2	3.2	KQ2W23-99	9.6	7	17.5	35	24.5	15.5	3	2.5	2
4	4	KQ2W04-99	10.4	8	18	37	26	16	4.2	4.2	3
6	6	KQ2W06-99	12.8	10	20	41.5	31	17	11.4	9.0	4
8	8	KQ2W08-99	15.2	12	22.5	48	37	18.5	21.6	14.9	6
10	10	KQ2W10-99	18.5	14	25.5	55	43.5	21	35.2	25.0	9
12	12	KQ2W12-99	20.9	16	27	59.5	48	22	50.2	39.7	13

When the elbow extends over a standard elbow for ease of connection/disconnection of tube.

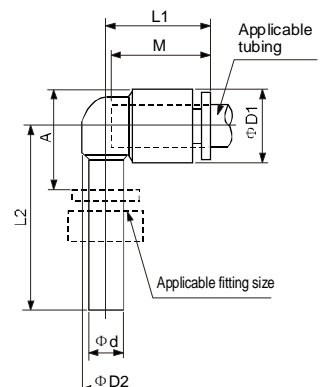


Reducer Elbow: KQ2L



Applicable tubing O.D. (mm)	Applicable fitting size Φ d	Model	Φ D1	Φ D2	L1	L2	A	M	Effective area (mm ²)		Weight (g)
									Nylon	Urethane	
3.2	4	KQ2L23-04	9.6	7	17	25	13.5	15.5	3	2.5	2
4	6	KQ2L04-06	10.4	8	18	26	14.5	16	4.2	4.2	3
4	8	KQ2L04-08	10.4	10	18	35	22	16	4.2	4.2	11
6	8	KQ2L06-08	12.8	10	19.5	30.5	18	17	11.4	9.0	12
6	10	KQ2L06-10	12.8	10	20	38.5	24	17	11.4	9.0	19
8	10	KQ2L08-10	15.2	12	23.5	33.5	20.5	18.5	21.6	14.9	20
8	12	KQ2L08-12	15.2	12	23	40.5	26	18.5	21.6	14.9	27
10	12	KQ2L10-12	18.5	17	26.5	42	29.5	21	35.2	25.0	29
12	16	KQ2L12-16	20.9	17	28.5	49.5	34.5	22	50.2	39.7	53

Use to change by 90° in a tube fetching direction from One touch fittings and to size down.

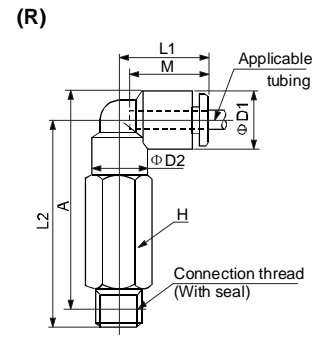
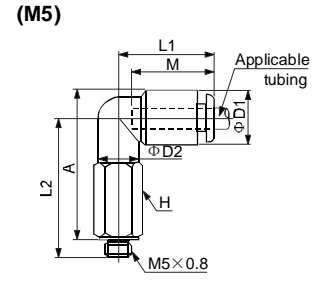


One-touch Fittings Series KQ2

ANSSION
PNEUMATIC & HYDRAULIC

Extended Male Elbow: KQ2W

(M5)	Applicable tubing O.D. (mm)	Connection thread R	Model	H (width across flats)	Φ D1	Φ D2	L1	L2	A	M	Effective area (mm ²)		Weight (g)
											Nylon	Urethane	
3.2		M5×0.8	KQ2W23-M5	8	9.6	8	17.5	30	31	15.5	2.8	2.4	10
			KQ2W23-01S	10	9.6	10	17.5	37	38	15.5	2.8	2.4	19
			KQ2W23-02S	14	9.6	10	17.5	43	42	15.5	2.8	2.4	41
4		M5×0.8	KQ2W04-M5	8	10.4	8	18	30	32	16	3.0	3.0	11
			KQ2W04-01S	10	10.4	10	18	37.5	38.5	16	4.0	4.0	23
			KQ2W04-02S	14	10.4	10	18	43.5	42.5	16	4.0	4.0	38
6		M5×0.8	KQ2W06-M5	8	12.8	8	20	30.5	33.5	17	3	3	11
			KQ2W06-01S	10	12.8	10	20	40	42.5	17	10.9	8.6	26
			KQ2W06-02S	14	12.8	10	20	46	46.5	17	10.9	8.6	41
8		M5×0.8	KQ2W08-01S	12	15.2	12	23	43.5	47	18.5	20.5	14.2	30
			KQ2W08-02S	14	15.2	12	23	49.5	51	18.5	20.5	14.2	47
			KQ2W08-03S	17	15.2	12	23	51.5	52.5	18.5	20.5	14.2	74
10		M5×0.8	KQ2W10-01S	17	18.5	17	26.5	56.5	59.5	21	33.5	23.8	66
			KQ2W10-03S	17	18.5	17	26.5	58.5	61	21	33.5	23.8	76
			KQ2W10-04S	22	18.5	17	26.5	65	66	21	33.5	23.8	145
12		M5×0.8	KQ2W12-02S	17	20.9	17	28.5	57.5	62	22	47.7	37.7	68
			KQ2W12-03S	17	20.9	17	28.5	59.5	63.5	22	47.7	37.7	78
			KQ2W12-04S	22	20.9	17	28.5	66	68.5	22	47.7	37.7	147
16		M5×0.8	KQ2W16-03S	22	26.5	20.9	34	69.5	76	25	71	(71)	101
			KQ2W16-04S	22	26.5	20.9	34	75	80	25	100	(84)	105

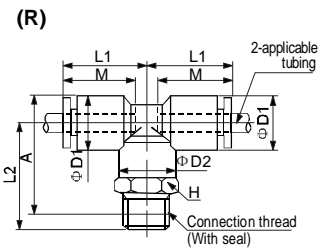
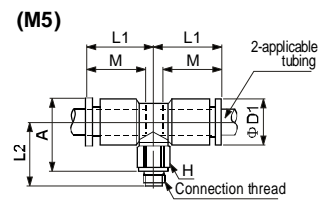


Basically, it is used together with male elbow. Different point is that it is used for with fittings to avoid from interfering with each other by making the piping two-level.

- IV
- KJ
- KQ2**
- RP
- GP
- PF
- PN
- PK
- PB
- Y
- MQC
- BSL
- AS
- RQ
- PU
- AG,DG

Male Branch Tee: KQ2T

(M5)	Applicable tubing O.D. (mm)	Connection thread R	Model	H (width across flats)	Φ D1	Φ D2	L1	L2	A	M	Effective area (mm ²)		Weight (g)
											Nylon	Urethane	
3.2		M5×0.8	KQ2T23-M5	7	8.4	-	15.3	13.2	14.3	12.7	3.2	2.7	3.2
			KQ2T23-01S	10	9.6	10	17.5	21.5	22.5	15.5	3.4	2.9	10
			KQ2T23-02S	14	9.6	10	17.5	25.5	24.5	15.5	3.4	2.9	20
4		M5×0.8	KQ2T04-M5	7	9.3	-	15.6	13.7	15.3	12.7	4.5	4.5	3.5
			KQ2T04-01S	10	10.4	10	18	22	23	16	6.0	4.1	13
			KQ2T04-02S	14	10.4	10	18	26	25	16	6.0	4.1	19
6		M5×0.8	KQ2T06-M5	7	11.6	-	16.1	14.7	17.4	13.5	4.5	4.5	4.4
			KQ2T06-M6	8	11.6	-	16.1	15.7	17.4	13.5	4.5	4.5	5.3
			KQ2T06-01S	10	12.8	10	20	23	25.5	17	13.9	11.0	12
8		M5×0.8	KQ2T06-02S	14	12.8	10	20	27	27.5	17	13.9	11.0	20
			KQ2T06-03S	17	12.8	10	20	29	29	17	13.9	11.0	34
			KQ2T08-01S	12	15.2	12	23	24.5	28	18.5	26.3	18.2	14
10		M5×0.8	KQ2T08-02S	14	15.2	12	23	28.5	30	18.5	26.3	18.2	22
			KQ2T08-03S	17	15.2	12	23	30.5	31.5	18.5	26.3	18.2	36
			KQ2T10-01S	17	18.5	17	26.5	27	32	21	40.8	29.0	31
12		M5×0.8	KQ2T10-02S	17	18.5	17	26.5	30	33	21	40.8	29.0	29
			KQ2T10-03S	17	18.5	17	26.5	32	34.5	21	40.8	29.0	39
			KQ2T10-04S	22	18.5	17	26.5	36	37	21	40.8	29.0	66
16		M5×0.8	KQ2T12-02S	17	20.9	17	28.5	31	35.5	22	57.2	45.2	31
			KQ2T12-03S	17	20.9	17	28.5	33	37	22	57.2	45.2	41
			KQ2T12-04S	22	20.9	17	28.5	37	39.5	22	57.2	45.2	68
16		M5×0.8	KQ2T16-03S	22	26.5	20.9	34	38	44.5	25	71	(71)	112
			KQ2T16-04S	22	26.5	20.9	34	40.5	46	25	100	(100)	116



Use to branch line from female thread in both 90° directions.

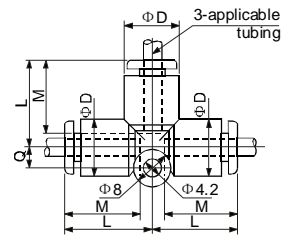
One-touch Fittings Series KQ2

Union Tee: KQ2T



Applicable tubing O.D. (mm)	Model	ΦD1	L	Q	M	Effective area (mm ²)		Weight (g)
						Nylon	Urethane	
3.2	KQ2T23-00	9.6	17.5	4.3	15.5	3.4	2.9	5
4	KQ2T04-00	10.4	18	4.5	16	6.4	4.4	7
6	KQ2T06-00	12.8	20	5.3	17	13.4	10.6	10
8	KQ2T08-00	15.2	23	6	18.5	25.6	17.7	15
10	KQ2T10-00	18.5	26.5	6.8	21	40	28.4	25
12	KQ2T12-00	20.9	28.5	7.5	22	57.4	45.4	29
16	KQ2T16-00	26.5	34	10	25	100	(84)	40

Use to connect tubes in both 90° directions.

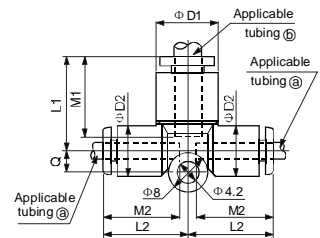


Different Diameter Tee: KQ2T



Applicable tubing O.D. (Mm)		Model	ΦD1	ΦD2	L1	L2	Q	M1	M2	Effective area (mm ²)		Weight (g)
(a)	(b)									Nylon	Urethane	
3.2	4	KQ2T23-04	10.4	9.6	18	17.5	4.3	16	15.5	3.8	3.5	5
4	6	KQ2T04-06	12.8	10.4	19.5	18	4.5	17	16	7.1	6.5	5
6	8	KQ2T06-08	15.2	12.8	22.5	20	5.3	18.5	17	16.4	16.4	8
8	10	KQ2T08-10	18.5	15.2	26.5	23	6	21	18.5	36	27.2	14
10	12	KQ2T10-12	20.9	18.5	28.5	26.5	6.8	22	21	56	44.5	21
12	16	KQ2T12-16	26.5	26.5	34	39	10	25	22	108.5	(92.2)	88

Use to connect tubes with size down in both 90° directions.

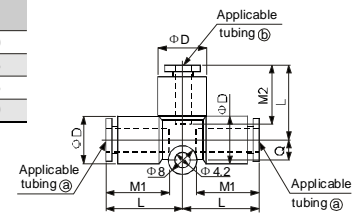


Different Diameter Tee: KQ2T



Applicable tubing O.D. (Mm)		Model	ΦD	L	Q	M1	M2	Effective area (mm ²)		Weight (g)
(a)	(b)							Nylon	Urethane	
6	4	KQ2T06-04	12.8	20	5.3	17	16	6.4	4.4	10
8	6	KQ2T08-06	15.2	23	6	18.5	17	13.4	10.6	15
10	8	KQ2T10-08	18.5	26.5	7.5	21	18.5	25.6	17.7	25
12	10	KQ2T12-10	20.9	28.5	7.5	22	21	40	28.4	29

Use to branch line with size down in both side 90° direction.

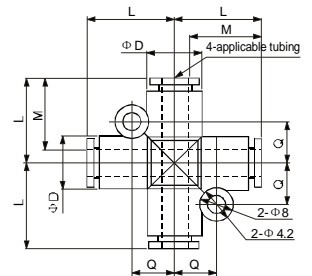


Cross: KQ2TW



Applicable tubing O.D. (mm)	Model	ΦD	L	Q	M	Effective area (mm ²)		Weight (g)
						Nylon	Urethane	
4	KQ2TW04-00	10.4	18	8.7	16	6.4	4.4	9
6	KQ2TW06-00	12.8	20	9.9	17	13.4	10.6	13
8	KQ2TW08-00	15.2	23	11.1	18.5	25.6	17.7	20
10	KQ2TW10-00	18.5	26.5	12.8	21	40	28.4	33
12	KQ2TW12-00	20.9	28.5	13.9	22	57.4	45.4	39

Use to four-branch line.

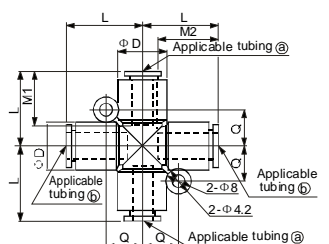


Different Diameter Cross: KQ2TX



Applicable tubing O.D. (Mm)		Model	ΦD	L	Q	M1	M2	Effective area (mm ²)		Weight (g)
(a)	(b)							Nylon	Urethane	
6	8	KQ2TX06-08	15.2	23	11.1	18.5	17	13.4	10.6	13
8	10	KQ2TX08-10	18.5	26.5	12.8	21	18.5	25.6	17.7	27
10	12	KQ2TX10-12	20.9	28.5	13.9	22	21	40	28.4	36

Use to connect tubes with size down in all 90° directions.



One-touch Fittings Series KQ2

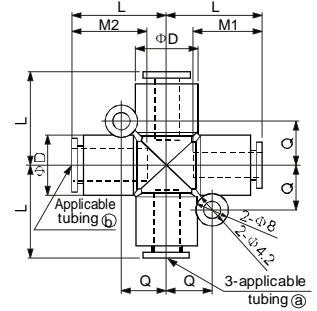


Different Diameter Cross: KQ2TY



Applicable tubing O.D. (mm)		Model	ΦD	L	Q	M1	M2	Effective area (mm ²)		Weight (g)
(a)	(b)							Nylon	Urethane	
6	8	KQ2TY06-08	15.2	23	11.1	17	18.5	13.4	10.6	15
8	10	KQ2TY08-10	18.5	26.5	12.8	18.5	21	25.6	17.7	23
10	12	KQ2TY10-12	20.9	28.5	13.9	21	22	40	28.4	35

Use to branch line with size down in three directions.



Male Run Tee: KQ2Y

(M5)



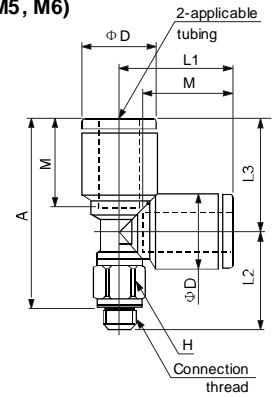
(R)



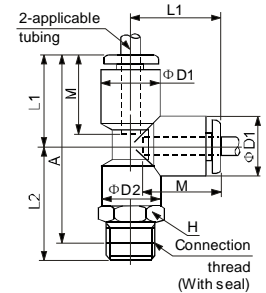
Applicable tubing O.D. (mm)	Connection thread R	Model	H (width across flats)	ΦD1	ΦD2	L1	L2	L3	A	M	Effective area		Weight (g)
											Nylon	Urethane	
3.2	M5×0.8	KQ2Y23-M5	7	8.4	-	15.4	13.2	14.8	24.9	12.7	3.2	2.7	3.2
	1/8	KQ2Y23-01S	10	9.6	10	17.5	21.5	-	35	15.5	3.4	2.9	10
	1/4	KQ2Y23-02S	14	9.6	10	17.5	25.5	-	37	15.5	3.4	2.9	20
4	M5×0.8	KQ2Y04-M5	7	9.3	-	15.6	13.7	14.8	25.4	12.7	4.5	4.5	3.5
	M6×1.0	KQ2Y04-M6	8	9.3	-	15.6	14.7	14.8	25.4	12.7	4.5	4.5	6
	1/8	KQ2Y04-01S	10	10.4	10	18	22	-	36	16	6.4	4.4	13
	1/4	KQ2Y04-02S	14	10.4	10	18	26	-	38	16	6.4	4.4	19
6	M5×0.8	KQ2Y06-M5	7	11.6	-	17.1	14.7	17.1	28.7	13.5	4.5	4.5	4.5
	M6×1.0	KQ2Y06-M6	8	11.6	-	17.1	15.7	17.1	28.7	13.5	4.5	4.5	7
	1/8	KQ2Y06-01S	10	12.8	10	20	23	-	39	17	13.4	10.6	12
	1/4	KQ2Y06-02S	14	12.8	10	20	27	-	41	17	13.4	10.6	20
8	3/8	KQ2Y06-03S	17	12.8	10	20	29	-	42.5	17	13.4	10.6	34
	1/8	KQ2Y08-01S	12	15.2	12	23	24.5	-	43.5	18.5	25.6	17.7	14
	1/4	KQ2Y08-02S	14	15.2	12	23	28.5	-	45.5	18.5	25.6	17.7	22
10	3/8	KQ2Y08-03S	17	15.2	12	23	30.5	-	47	18.5	25.6	17.7	36
	1/8	KQ2Y10-01S	17	18.5	17	26.5	27	-	49.5	21	40.0	28.4	31
	1/4	KQ2Y10-02S	17	18.5	17	26.5	30	-	50.5	21	40.0	28.4	29
12	3/8	KQ2Y10-03S	17	18.5	17	26.5	32	-	52	21	40.0	28.4	39
	1/2	KQ2Y10-04S	22	18.5	17	26.5	36	-	54.5	21	40.0	28.4	66
	1/4	KQ2Y12-02S	17	20.9	17	28.5	31	-	53.5	22	57.4	45.4	31
16	3/8	KQ2Y12-03S	17	20.9	17	28.5	33	-	55	22	57.4	45.4	41
	1/2	KQ2Y12-04S	22	20.9	17	28.5	37	-	57.5	22	57.4	45.4	68
	3/8	KQ2Y16-03S	22	26.5	20.9	34	38	-	65.5	25	81	(81)	112
1/2	KQ2Y16-04S	22	26.5	20.9	34	41	-	67	25	113	(113)	116	

Use to branch line in the same direction from female thread and in 90° direction.

(M5, M6)



(R)

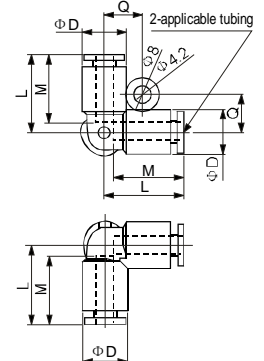


Delta Union: KQ2D



Applicable tubing O.D. (mm)	Model	ΦD	L	Q	M	Effective area (mm ²)		Weight (g)
						Nylon	Urethane	
4	KQ2D04-00	10.4	18.5	8.7	16	6.0	4.1	5
6	KQ2D06-00	12.8	20.5	9.9	17	13.9	11.0	7
8	KQ2D08-00	15.2	23.5	11.1	18.5	26.3	18.2	11
10	KQ2D10-00	18.5	26.5	12.8	21	40.8	29.0	19
12	KQ2D12-00	20.9	28.5	13.9	22	57.2	45.2	24

Use to branch in tripple 90° direction.



- IV
- KJ
- KQ2**
- RP
- GP
- PF
- PN
- PK
- PB
- Y
- MQC
- BSL
- AS
- RQ
- PU
- AG,DG



One-touch Fittings Series KQ2

Male Delta Union: KQ2D

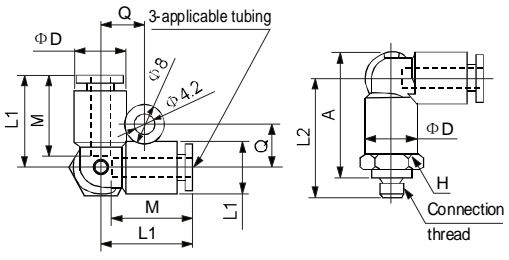
(R)



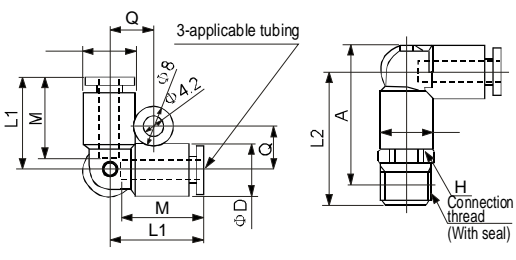
Applicable tubing O.D. (mm)	Connection thread R	Model	H (width across flats)	Φ D	L1	L2	A	M	Q	Effective area (mm ²)		Weight (g)
										Nylon	Urethane	
										4	M5×0.8	
	M6×1.0	KQ2D04-M6	11	10.4	18.5	24.5	25.5	16	8.7	4.3	4.3	10
	1/8	KQ2D04-01S	11	10.4	18.5	26.5	27.5	16	8.7	6.0	6.0	12
	1/4	KQ2D04-02S	14	10.4	18.5	30.5	29.5	16	8.7	3.0	6.0	21
6	M5×0.8	KQ2D06-M5	13	12.8	20.5	26	28.5	17	9.9	4.3	4.3	12
	M6×1.0	KQ2D06-M6	13	12.8	20.5	26.5	28.5	17	9.9	4.3	4.3	12
	1/8	KQ2D06-01S	13	12.8	20.5	29	31.5	17	9.9	13.9	11.0	14
	1/4	KQ2D06-02S	14	12.8	20.5	32.5	33	17	9.9	13.9	11.0	21
	3/8	KQ2D06-03S	17	12.8	20.5	34.5	34.5	17	9.9	13.9	11.0	34
8	1/8	KQ2D08-01S	17	15.2	23.5	33.5	37	18.5	11.1	26.3	18.2	26
	1/4	KQ2D08-02S	17	15.2	23.5	36.5	38	18.5	11.1	26.3	18.2	26
	3/8	KQ2D08-03S	17	15.2	23.5	37.5	38.5	18.5	11.1	26.3	18.2	35
10	1/4	KQ2D10-02S	19	18.5	26.5	39.5	43	21	12.8	40.8	29.0	39
	3/8	KQ2D10-03S	19	18.5	26.5	40.5	43.5	21	12.8	40.8	29.0	40
	1/2	KQ2D10-04S	22	18.5	26.5	44	45	21	12.8	40.8	29.0	62
12	1/4	KQ2D12-02S	22	20.9	28.5	42	46.5	22	13.9	57.2	45.2	55
	3/8	KQ2D12-03S	22	20.9	28.5	43	47	22	13.9	57.2	45.2	56
	1/2	KQ2D12-04S	22	20.9	28.5	46	48.5	22	13.9	57.2	45.2	63

Use to branch line in 90° direction from female thread.

(M5, M6)



(R)



Branch "Y" : KQ2U

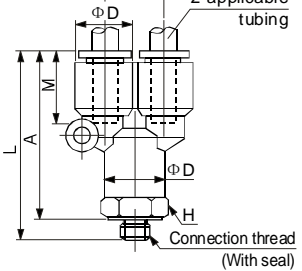
(R)



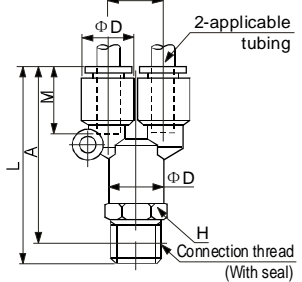
Applicable tubing O.D. (mm)	Connection thread R	Model	H (width across flats)	Φ D	L	P	A	M	Effective area (mm ²)		Weight (g)
									Nylon	Urethane	
									3.2	M5×0.8	
	1/8	KQ2U23-01S	10	9.6	41	9.6	37	15.5	3.4	2.9	14
	1/4	KQ2U23-02S	14	9.6	44	9.6	38	15.5	3.4	2.9	14
4	M5×0.8	KQ2U04-M5	11	10.4	39.5	10.4	36	16	2.2	2.2	4
	M6×1.0	KQ2U04-M6	11	10.4	40	10.4	36	16	2.2	2.2	10
	1/8	KQ2U04-01S	11	10.4	42	10.4	38	16	4.2	4.2	11
	1/4	KQ2U04-02S	14	10.4	46	10.4	40	16	4.2	4.2	20
6	M5×0.8	KQ2U06-M5	13	12.8	42.5	12.8	39	17	2.2	2.2	12
	M6×1.0	KQ2U06-M6	13	12.8	43	12.8	39	17	2.2	2.2	12
	1/8	KQ2U06-01S	13	12.8	45.5	12.8	41.5	17	13.4	10.6	11
	1/4	KQ2U06-02S	14	12.8	49	12.8	43	17	13.4	10.6	21
	3/8	KQ2U06-03S	17	12.8	51	12.8	44.5	17	13.4	10.6	34
8	1/8	KQ2U08-01S	17	15.2	52.5	15.2	48.5	18.5	25.6	17.7	15
	1/4	KQ2U08-02S	17	15.2	55.5	15.2	49.5	18.5	25.6	17.7	23
	3/8	KQ2U08-03S	17	15.2	56.5	15.2	50	18.5	25.6	17.7	35
10	1/4	KQ2U10-02S	19	18.5	61	18.5	55	21	40	28.4	30
	3/8	KQ2U10-03S	19	18.5	62	18.5	55.5	21	40	28.4	40
	1/2	KQ2U10-04S	22	18.5	65	18.5	57	21	40	28.4	65
12	1/4	KQ2U12-02S	22	20.9	64.5	20.9	58.5	22	57.4	45.4	32
	3/8	KQ2U12-03S	22	20.9	65.5	20.9	59	22	57.4	45.4	40
	1/2	KQ2U12-04S	22	20.9	68.5	20.9	60.5	22	57.4	45.4	65
16	3/8	KQ2U16-03S	27	26.5	76	26.5	69.5	25	81	(81)	106
	1/2	KQ2U16-04S	27	26.5	79	26.5	71	25	113	(96)	111

Use to branch line in the same direction from female thread.

(M5, M6)



(R)



One-touch Fittings Series KQ2

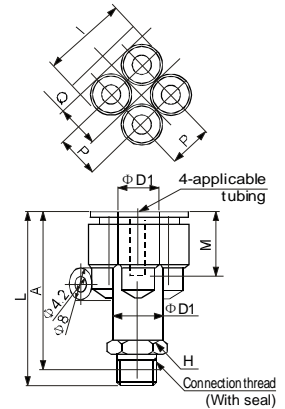
ANSSION
PNEUMATIC & HYDRAULIC

Delta Branch: KQ2UD



Applicable tubing O.D. (mm)	Connection thread R	Model	H (width across flats)	ΦD1	ΦD2	L	I	A	Q	M	P	Effective area (mm ²)		Weight (g)
												Nylon	Urethane	
4	1/8	KQ2UD04-01S	13	10.4	12.8	43.5	21	39.5	9.7	16	10.4	4.2	4.2	17
	1/4	KQ2UD04-02S	14	10.4	12.8	47	21	41	9.7	16	10.4	4.2	4.2	25
6	1/8	KQ2UD06-01S	17	12.8	15.2	50.5	26	46.5	11.7	17	12.8	13.4	10.6	29
	1/4	KQ2UD06-02S	17	12.8	15.2	53.5	26	47.5	11.7	17	12.8	13.4	10.6	29

Use to four-branch line in the same direction from female thread.

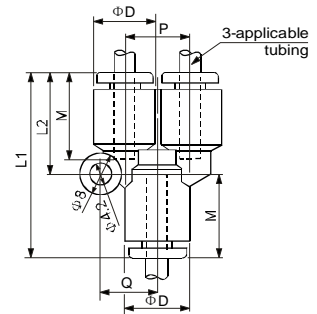


Union "Y" : KQ2U



Applicable tubing O.D. (mm)	Model	ΦD	L1	L2	P	Q	M	Effective area (mm ²)		Weight (g)
								Nylon	Urethane	
3.2	KQ2U23-00	9.6	33	17.5	9.6	9	15.5	3.4	2.9	5
4	KQ2U04-00	10.4	34	18	10.4	9.7	16	4.2	4.2	7
6	KQ2U06-00	12.8	37	20	12.8	11.7	17	13.4	10.6	9
8	KQ2U08-00	15.2	42.5	24.5	15.2	13.7	18.5	25.6	17.7	11
10	KQ2U10-00	18.5	48	27.5	18.5	16.1	21	40	28.4	16
12	KQ2U12-00	20.9	51	30	20.9	18.1	22	57.4	45.4	23
16	KQ2U16-00	26.5	61.5	36.5	26.5	23	25	113	(96)	54

Use to branch line in the same direction.

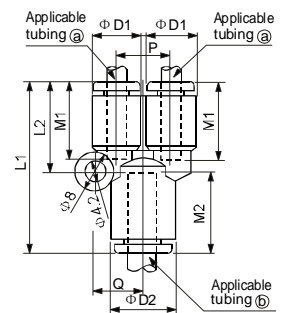


Different Diameter Union "Y" : KQ2U



Applicable tubing O.D. (mm)		Model	ΦD1	ΦD2	L1	L2	P	Q	M1	M2	Effective area (mm ²)		Weight (g)
(a)	(b)										Nylon	Urethane	
3.2	4	KQ2U23-04	9.6	10.4	33.5	17.5	9.6	9	15.5	16	3.2	2.7	5
4	6	KQ2U04-06	10.4	12.8	35	18	10.4	9.7	16	17	4.2	4.2	6
6	8	KQ2U06-08	12.8	15.2	39.5	20	12.8	11.7	17	18.5	13.4	10.6	11
8	10	KQ2U08-10	15.2	18.5	45	24.5	15.2	13.7	18.5	21	25.6	17.7	18
10	12	KQ2U10-12	18.5	20.9	49	27.5	18.5	16.1	21	22	40	28.4	27
12	16	KQ2U12-16	26.5	26.5	66.5	41.5	26.5	23	22	25	57.4	45.4	100

Use to branch line with size down in the same direction.

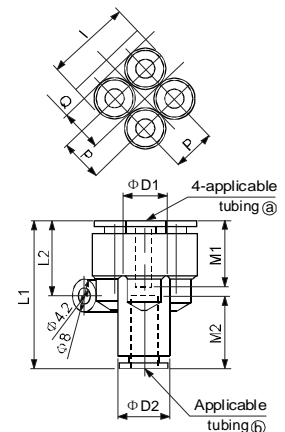


Different Diameter Double Union "Y" : KQ2UD



Applicable tubing O.D. (mm)		Model	ΦD1	ΦD2	L1	L2	P	I	Q	M1	M2	Effective area (mm ²)		Weight (g)
(a)	(b)											Nylon	Urethane	
4	6	KQ2UD23-04	10.4	12.8	35.5	18.2	10.4	21	9.7	16	17	4.2	4.2	10
6	8	KQ2UD04-06	12.8	15.2	40.5	20.3	12.8	26	11.7	17	18.5	13.4	10.6	17

Use to four-branch line in the same direction with size down.



- IV
- KJ
- KQ2**
- RP
- GP
- PF
- PN
- PK
- PB
- Y
- MQC
- BSL
- AS
- RQ
- PY
- AG,DG

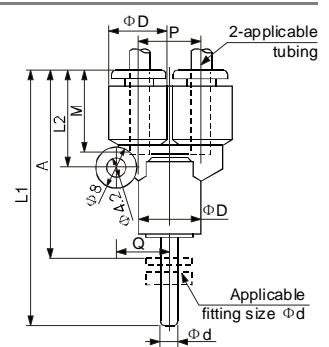
One-touch Fittings Series KQ2

Plug-in “Y” : KQ2U



Applicable tubing O.D. (mm)	Applicable fitting size Φd	Model	ΦD	L1	L2	P	Q	A	M	Effective area (mm ²)		Weight (g)
										Nylon	Urethane	
3.2	3.2	KQ2U23-99	9.6	50	17.5	9.6	9	35	15.5	3.4	2.9	6
4	4	KQ2U04-99	10.4	51.5	18	10.4	9.7	35.5	16	4.2	4.2	12
6	6	KQ2U06-99	12.8	55.5	20	12.8	11.7	38.5	17	13.4	10.6	18
8	8	KQ2U08-99	15.2	64.5	24.5	15.2	13.7	46	18.5	25.6	17.7	21
10	10	KQ2U10-99	18.5	71.5	27.5	18.5	16.1	50.5	21	40	28.4	26
12	12	KQ2U12-99	20.9	75.5	30	20.9	18.1	53.5	22	57.4	45.4	32
16	16	KQ2U16-99	26.5	90	36.5	26.5	23	65	25	113	(96)	78

Use to branch line in the same direction from One-touch fittings.

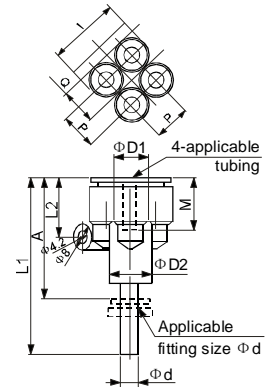


Double Plug-in “Y” : KQ2XD



Applicable tubing O.D. (mm)	Applicable fitting size Φd	Model	$\Phi D1$	$\Phi D2$	L1	L2	I	Q	A	P	M	Effective area (mm ²)		Weight (g)
												Nylon	Urethane	
4	6	KQ2XD04-06	10.4	12.8	54	18.2	21	9.7	37	10.4	16	4.2	4.2	10
6	8	KQ2XD06-08	12.8	15.2	62.5	20.3	26	11.7	44	12.8	17	13.4	10.6	23

Use to four-branch line from One-touch fitting.

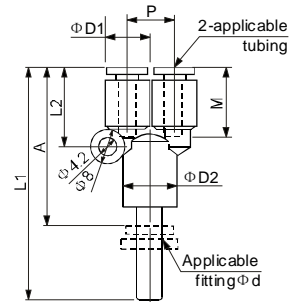


Different Diameter Plug-in “Y” : KQ2X



Applicable tubing O.D. (mm)	Applicable fitting size Φd	Model	$\Phi D1$	$\Phi D2$	L1	L2	A	P	Q	M	Effective area (mm ²)		Weight (g)
											Nylon	Urethane	
4	6	KQ2X04-06	10.4	12.8	53.5	18.5	36.5	10.4	9.7	16	4.2	4.2	7
6	8	KQ2X06-08	12.8	15.2	61.5	20.5	43	12.8	11.7	17	13.4	10.6	18
8	10	KQ2X08-10	15.2	18.5	68.5	24.5	47.5	15.2	13.7	18.5	25.6	17.7	28
10	12	KQ2X10-12	18.5	20.9	73.5	27.5	51.5	18.5	16.1	21	40	28.4	42

Use to branch line from One-touch fitting with size down.

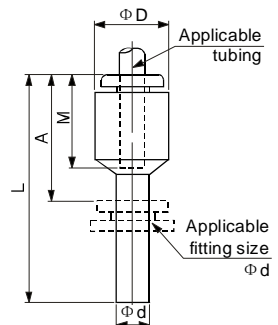


Plug-in Reducer: KQ2R



Applicable tubing O.D. (mm)	Applicable fitting size Φd	Model	ΦD	L	A	M	Effective area (mm ²)		Weight (g)
							Nylon	Urethane	
3.2	4	KQ2R23-04	9.6	33.5	18.5	15.5	3.4	2.9	2
4	6	KQ2R04-06	10.4	34.5	17.5	16	5.6	4	1.8
4	8	KQ2R04-08	10.4	36.5	18	16	5.6	4	2.0
4	10	KQ2R04-10	12.8	39.5	18.5	16	5.6	4	3.3
6	4	KQ2R06-04	12.8	37	21	17	4	4	2.5
6	8	KQ2R06-08	12.8	37	18.5	17	13.1	10.4	2.5
6	10	KQ2R06-10	12.8	39.5	18.5	17	13.1	10.4	3
6	12	KQ2R06-12	15.2	42	20	17	13.1	10.4	4.7
8	10	KQ2R08-10	15.2	41	20	18.5	26.1	18.0	4.0
8	12	KQ2R08-12	15.2	42	20	18.5	26.1	18.0	4.6
10	12	KQ2R10-12	18.5	44.5	23	21	41.5	32.8	33
10	16	KQ2R10-16	20.9	50.5	25.5	21	41.5	(29.5)	42
16	16	KQ2R12-16	20.9	50.5	25.5	22	58.3	(46.1)	37

Use to change size of One-touch fittings.



One-touch Fittings Series KQ2

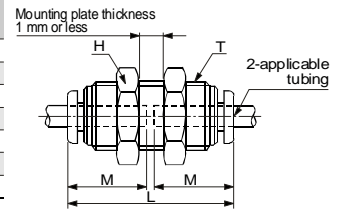


Bulkhead Union: KQ2E



Applicable tubing O.D. (mm)	Model	T (M)	H (width across flats)	L	Mounting hole	M	Effective area (mm ²)		Weight (g)
							Nylon	Urethane	
3.2	KQ2E23-00	M12×1	14	31.5	13	15.5	3.4	2.9	26
4	KQ2E04-00	M12×1	14	32.5	13	16	5.6	4	26
6	KQ2E06-00	M14×1	17	34.5	15	17	13.1	10.4	33
8	KQ2E08-00	M16×1	19	38	17	18.5	26.1	18.0	52
10	KQ2E10-00	M20×1	24	42.5	21	21	41.5	29.5	70
12	KQ2E12-00	M22×1	27	44	23	22	58.3	46.1	90
16	KQ2E16-00	M28×1.5	32	51	29	25	113	(96)	115

Use to connect tubes through a panel.

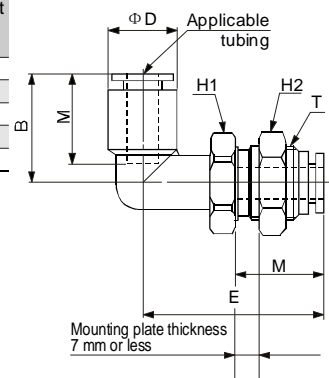


Bulkhead Male Elbow: KQ2LE



Applicable tubing O.D. (mm)	Model	T (M)	H1 (Hex. Across flats)	H2 (Hex. Across flats)	B	E	ΦD	Mounting hole	M	Effective area (mm ²)		Weight (g)
										Nylon	Urethane	
4	KQ2LE04-00	M12×1	14	14	18.5	31	10.4	13	16	4.2	4.2	18
6	KQ2LE06-00	M14×1	17	17	20.5	34	12.8	15	17	11.4	9.0	25
8	KQ2LE08-00	M16×1	17	19	23.5	38.5	15.2	17	18.5	21.6	14.9	33
10	KQ2LE10-00	M20×1	22	24	26.5	43.5	18.5	21	21	35.2	25.0	63
12	KQ2LE12-00	M22×1	24	27	28.5	45.5	20.9	23	22	50.2	39.7	77

Use to connect tubes through a panel, changing by 90° in a tube fetching direction.

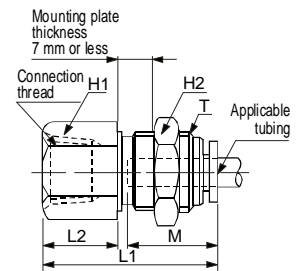


Bulkhead Connector: KQ2E



Applicable tubing O.D. (mm)	Connection thread Rc	Model	T (M)	H1 (Hex. Across flats)	H2 (Hex. Across flats)	L1	L2	Mounting hole	M	Effective area (mm ²)		Weight (g)
										Nylon	Urethane	
3.2	1/4	KQ2E23-02	M12×1	17	14	31.5	15	13	15.5	3.4	2.9	13
	1/8	KQ2E04-01	M12×1	14	14	27.5	11	13	16	5.6	4	16
4	1/4	KQ2E04-02	M12×1	17	14	31	15	13	16	5.6	4	35
	1/8	KQ2E06-01	M14×1	17	17	28	11	15	17	13.1	10.4	25
6	1/4	KQ2E06-02	M14×1	17	17	31.5	15	15	17	13.1	10.4	40
	3/8	KQ2E06-03	M14×1	19	17	33.5	17	15	17	13.1	10.4	29
8	1/8	KQ2E08-01	M16×1	17	19	27.5	7.5	17	18.5	26.1	18.0	28
	1/4	KQ2E08-02	M16×1	17	19	33	13	17	18.5	26.1	18.0	27
10	3/8	KQ2E08-03	M16×1	19	19	35	15	17	18.5	26.1	18.0	48
	1/4	KQ2E10-02	M20×1	22	24	34.5	12.5	21	21	41.5	29.5	53
12	3/8	KQ2E10-03	M20×1	22	24	36.5	15	21	21	41.5	29.5	67
	3/8	KQ2E12-03	M22×1	24	27	37	14	23	22	58.3	46.1	92
16	1/2	KQ2E12-04	M22×1	24	27	41	18	23	22	58.3	46.1	59
	3/8	KQ2E16-03	M28×1.5	30	32	40	14	29	25	96	(96)	127
	1/2	KQ2E16-04	M28×1.5	30	32	44	18	29	25	113	(96)	132

Use to connect male thread and tube through a panel.



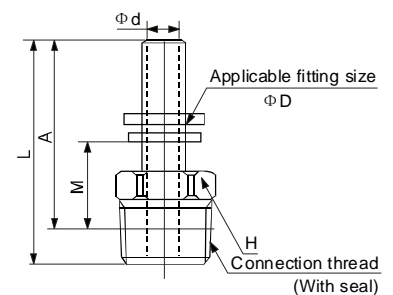
Adaptor: KQ2N

(M5)



Applicable tubing O.D. (mm)	Connection thread R	Model	H (width across flats)	L	A	M	Φd	Weight (g)
4	M5×0.8	KQ2N04-M5	7	32	29	13	2.5	2
	1/8	KQ2N04-01S	10	34	30	14	2.5	6
6	M5×0.8	KQ2N06-M5	7	33	30	13	2.5	2
	1/8	KQ2N06-01S	10	35	31	14	4.5	5
8	1/4	KQ2N06-02S	14	37.5	31.5	14.5	4.5	14
	1/4	KQ2N08-02S	14	39	33	14.5	6	17
10	3/8	KQ2N08-03S	17	41	34.5	16	6	30
	3/8	KQ2N10-03S	17	46	39.5	18.5	7.5	31

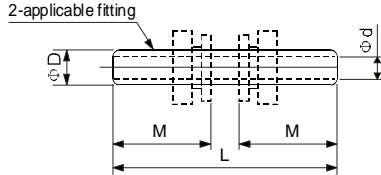
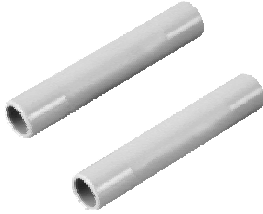
Use to connect fitting and R female thread.



- IV
- KJ
- KQ2**
- RP
- GP
- PF
- PN
- PK
- PB
- Y
- MQC
- BLS
- AS
- RQ
- PU
- AG,DG

One-touch Fittings Series KQ2

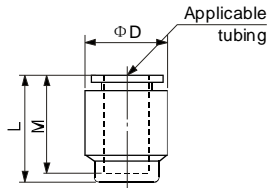
Nipple: KQ2N



Applicable fitting ΦD	Model	L	M	Φd	Weight (g)
4	KQ2N04-99	37	16	2.5	1
6	KQ2N06-99	39	17	4	2
8	KQ2N08-99	43	18.5	6	2
10	KQ2N10-99	49	21	7.5	4
12	KQ2N12-99	52	22	9	20.6
16	KQ2N16-99	57	25	13	31

Use to connect One-touch fittings.

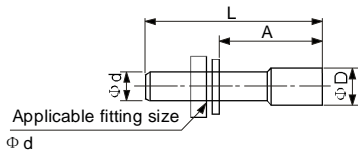
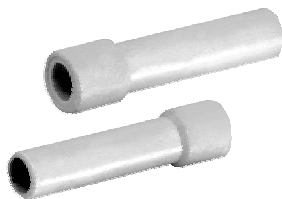
Tube Cap: KQ2C



Applicable tubing O.D. (mm)	Model	ΦD	L	M	Weight (g)
4	KQ2C04-00	10.4	17	16	3
6	KQ2C06-00	12.8	18.5	17	3
8	KQ2C08-00	15.2	20.5	18.5	4
10	KQ2C10-00	18.5	23	21	6
12	KQ2C12-00	20.9	24	22	8
16	KQ2C16-00	26.5	28	25	12

Use to plug unused tube.

Plug: KQ2P, KQP



Applicable fitting size Φd	Model	ΦD	L	M	Weight (g)
3.2	KQ2P-23	5	31.5	16	1
4	KQ2P-04	6	32	16	1
6	KQ2P-06	8	35	18	1
8	KQ2P-08	10	39	20.5	2
10	KQ2P-10	12	43	22	3.5
12	KQ2P-12	14	45.5	24	5
16	KQ2P-16	20.9	47	22	8

Use to plug unused One-touch fittings.