

# Mini One-touch Fittings

Applicable Tubing:  $\phi$  3.2,  $\phi$  4,  $\phi$  6

## Series KJ

**ANSSION**  
PNEUMATIC & HYDRAULIC

### APPLICABLE TUBING

Tube material	Polyurethane(PU), Nylon, Soft nylon		
Tube O.D.	$\phi$ 3.2	$\phi$ 4	$\phi$ 6
Code	23	04	06

### CONNECTION THREAD

Thread	With seal glue		
Thread size	M3 $\times$ 0.5	M5 $\times$ 0.8	R1/8
Code	M3	M5	01

### Male Connector: KJH

(M3, M5)



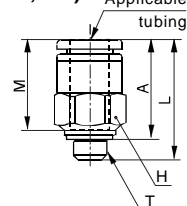
(R1/8)



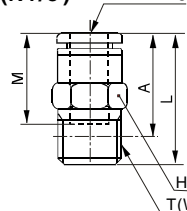
Applicable tubing O.D. (mm)	Connection thread T	Model	H (width across flats)	L	A	M	Effective area (mm <sup>2</sup> )		Weight (g)
							Nylon	Urethane	
3.2	M3 $\times$ 0.5	KJH23-M3	7	16.3	13.7	12.7	0.9	0.9	1.6
	M5 $\times$ 0.8	KJH23-M5		16.7	13.6		3	2.5	2
	R1/8	KJH23-01S	10	13.8	9.8*				4.7
4	M3 $\times$ 0.5	KJH04-M3	8	16.3	13.7	12.7	0.9	0.9	1.9
	M5 $\times$ 0.8	KJH04-M5		17	13.9		4	4	2.4
	R1/8	KJH04-01S	10	14.8	10.8*				4.6
6	M5 $\times$ 0.8	KJH06-M5	10	17.8	14.7	13.5	4	4	3.3
	R1/8	KJH06-01S		19.4	15.4*		10	10	5.2

\*Reference dimensions after R thread installation.

(M3, M5)



(R1/8)



### Hexagon Socket Head Male Connector: KJS

(M3, M5)

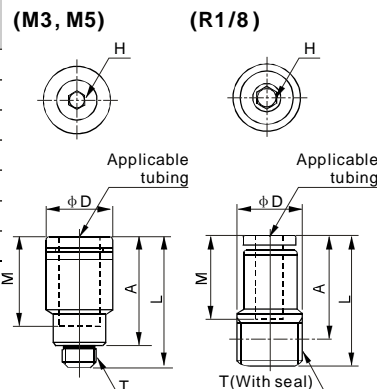


(R1/8)



Applicable tubing O.D. (mm)	Connection thread T	Model	H (width across flats)	Note) $\phi$ D	L	A	M	Effective area (mm <sup>2</sup> )		Weight (g)
								Nylon	Urethane	
3.2	M3 $\times$ 0.5	KJS23-M3	1.5	7	16.3	13.7	12.7	1.4	1.4	1.3
	M5 $\times$ 0.8	KJS23-M5	2		19.7	16.6		2.5	2.5	2.8
4	M3 $\times$ 0.5	KJS04-M3	1.5	8	16.3	13.7	12.7	1.4	1.4	1.6
	M5 $\times$ 0.8	KJS04-M5	2.5		18.7	15.6		4	4	2.7
	R1/8	KJS04-01S	3	9.8	19.7	15.7*				5.4
6	M5 $\times$ 0.8	KJS06-M5	2.5	10	19.5	16.4	13.5	4	4	3.3
	R1/8	KJS06-01S	4		20	16*		10	10	5.2

\*Reference dimensions after R thread installation.  
Note  $\phi$ D: Max. diameter

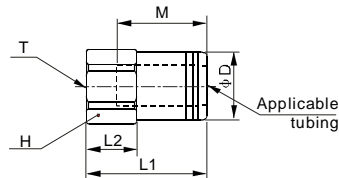


### Female Connector: KJF



Applicable tubing O.D. (mm)	Connection thread T	Model	H (width across flats)	Note) $\phi$ D	L1	L2	M	Effective area (mm <sup>2</sup> )		Weight (g)
								Nylon	Urethane	
3.2	M3 $\times$ 0.5	KJF23-M3	7	7	16.5	6.8	12.7	3	2.5	2.6
	M5 $\times$ 0.8	KJF23-M5			18.8	7.9		2.8		
4	M3 $\times$ 0.5	KJF04-M3	8	8	16.1	6.4	2.7	4	4	3.2
	M5 $\times$ 0.8	KJF04-M5			18.7	7.8		3.8		
6	M5 $\times$ 0.8	KJF06-M5	10	10	18	7.5	13.5	10	10	5.3

Note)  $\phi$ D: Max. diameter

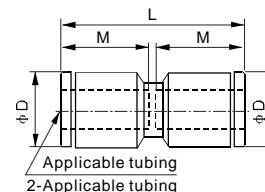


### Straight Union: KJH



Applicable tubing O.D. (mm)	Model	Note) $\phi$ D	L	M	Effective area (mm <sup>2</sup> )		Weight (g)
					Nylon	Urethane	
3.2	KJH23-00	8.4	26.3	12.7	3	2.5	1.4
4	KJH04-00	9.3	26.3	12.7	4	4	1.7
6	KJH06-00	11.6	28	13.5	10	10	2.5

Note)  $\phi$ D: Max. diameter



# Mini One-touch Fittings

Applicable Tubing:  $\phi 3.2, \phi 4, \phi 6$

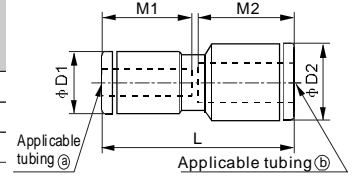
## Series KJ

### Different Diameter Straight: KJH

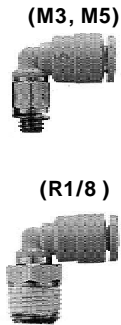


Applicable tubing O.D. (mm)		Model	Note) $\phi D1$	Note) $\phi D2$	L	M1	M2	Effective area (mm <sup>2</sup> )		Weight (g)
a)	b)							Nylon	Urethane	
3.2	4	<b>KJH23-04</b>	8.4	9.3	26.3	12.7	12.7	3	2.5	1.6
	6	<b>KJH23-06</b>		11.6	27.2					
4	6	<b>KJH04-06</b>	9.3	11.6	27.2	12.7	13.5	4	4	2.2

Note)  $\phi D1, \phi D2$ : Max. diameter

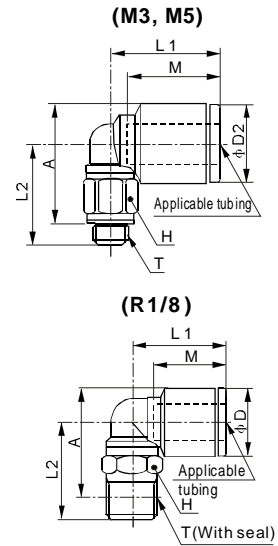


### Male Elbow: KJL



Applicable tubing O.D. (mm)	Connection thread T	Model	(width across flats)	Note) $\phi D$	L1	L2	A	M	Effective area (mm <sup>2</sup> )		Weight (g)
									Nylon	Urethane	
3.2	M3×0.5	<b>KJL23-M3</b>	7	8.4	15.3	12.5	14.1	12.7	0.8	0.8	2.1
	M5×0.8	<b>KJL23-M5</b>							2.6	2.2	2.5
	R1/8	<b>KJL23-01S</b>	10						15.2	15.4*	6.7
4	M3×0.5	<b>KJL04-M3</b>	7	9.3	15.6	13	15.1	12.7	0.8	0.8	2.2
	M5×0.8	<b>KJL04-M5</b>							3.5	3.5	2.7
	R1/8	<b>KJL04-01S</b>	10						15.7	16.4*	6.8
6	M5×0.8	<b>KJL06-M5</b>	7	11.6	16.1	14.7	17.4	13.5	3.5	3.5	3.2
	R1/8	<b>KJL06-01S</b>							10	17.8	16.7

\*Reference dimensions after R thread installation.  
Note)  $\phi D$ : Max. diameter

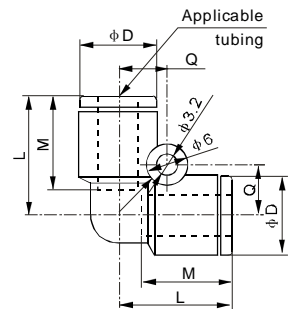


### Union Elbow: KJL



Applicable tubing O.D. (mm)	Model	Note) $\phi D$	L	Q	M	Effective area (mm <sup>2</sup> )		Weight (g)
						Nylon	Urethane	
3.2	<b>KJL23-00</b>	8.4	15	5.8	12.7	2.6	2.2	1.6
4	<b>KJL04-00</b>	9.3	15.8	6.3	12.7	3.5	3.5	2
6	<b>KJL06-00</b>	11.6	17.1	7.3	13.5	9	9	3.1

Note)  $\phi D$ : Max. diameter

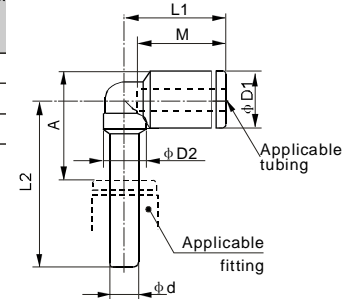


### Plug-in Elbow: KJL



Applicable tubing O.D. (mm)	Applicable fitting size $\phi d$	Model	Note) $\phi D1$	$\phi D2$	L1	L2	A	M	Effective area (mm <sup>2</sup> )		Weight (g)
									Nylon	Urethane	
3.2	3.2	<b>KJL23-99</b>	8.4	6	14.5	23.8	15.3	12.7	2.6	2.2	1
4	4	<b>KJL04-99</b>	9.3	6	15.6	24.7	16.7	12.7	3.5	3.5	1.2
6	6	<b>KJL06-99</b>	11.6	7	16.3	26.8	19.1	13.5	9	9	2

Note)  $\phi D1$ : Max. diameter



# Mini One-touch Fittings

Applicable Tubing:  $\phi$  3.2,  $\phi$  4,  $\phi$  6

## Series KJ

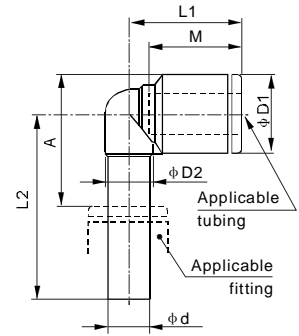


### Reducer Elbow: KJL



Applicable tubing O.D. (mm)	Applicable fitting size $\phi$ d	Model	Note) $\phi$ D1	$\phi$ D2	L1	L2	A	M	Effective area (mm <sup>2</sup> )		Weight (g)
									Nylon	Urethane	
3.2	4	<b>KJL23-04</b>	8.4	6	14.5	24.3	15.8	12.7	2.6	2.2	1.1
	6	<b>KJL23-06</b>				25.3	16				
4	6	<b>KJL04-06</b>	9.3	6	15.6	25.7	16.9	12.7	3.5	3.5	1.4

Note)  $\phi$  D1: Max. diameter



### Extended Male Elbow: KJW

(M3, M5)



(R1/8)

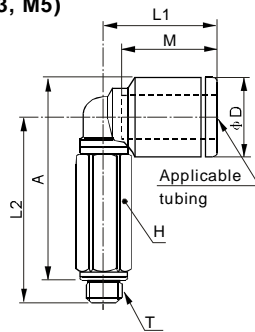


Applicable tubing O.D. (mm)	Connection thread T	Model	H (width across flats)	Note) $\phi$ D	L1	L2	A	M	Effective area (mm <sup>2</sup> )		Weight (g)			
									Nylon	Urethane				
3.2	M3 $\times$ 0.5	<b>KJW23-M3</b>	7	8.4	15.3	22.5	24.1	12.7	0.8	0.8	5			
	M5 $\times$ 0.8	<b>KJW23-M5</b>	7			25.2	26.3					2.6	2.2	6.2
	R1/8	<b>KJW23-01S</b>	10			25.4*	25.4*							
4	M3 $\times$ 0.5	<b>KJW04-M3</b>	7	9.3	15.6	23	25.1	12.7	0.8	0.8	5.1			
	M5 $\times$ 0.8	<b>KJW04-M5</b>	7			25.7	27.3					3.5	3.5	6.4
	R1/8	<b>KJW04-01S</b>	10			26.4*	26.4*							
6	M5 $\times$ 0.8	<b>KJW06-M5</b>	7	11.6	16.1	26.7	29.4	13.5	3.5	3.5	6.9			
	R1/8	<b>KJW06-01S</b>	10		17.8	28.7	30.5*					9	9	13.2

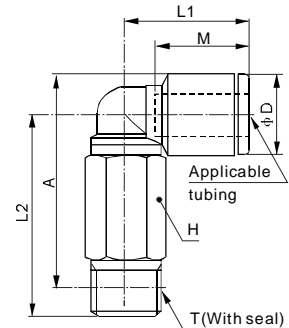
\*Reference dimensions after R thread installation.

Note)  $\phi$  D: Max. diameter

(M3, M5)



(R1/8)



### Male Branch Tee: KJT

(M3, M5)



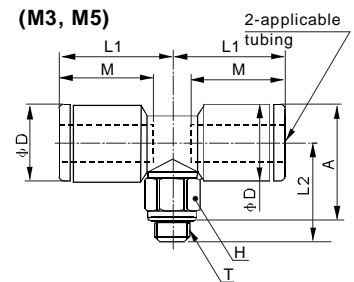
(R1/8)



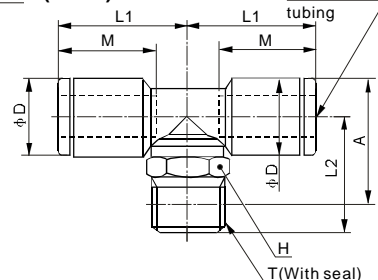
Applicable tubing O.D. (mm)	Connection thread T	Model	H (width across flats)	Note) $\phi$ D	L1	L2	A	M	Effective area (mm <sup>2</sup> )		Weight (g)			
									Nylon	Urethane				
3.2	M3 $\times$ 0.5	<b>KJT23-M3</b>	7	8.4	15.3	12.5	14.1	12.7	0.8	0.9	2.8			
	M5 $\times$ 0.8	<b>KJT23-M5</b>				13.2	14.3					2.2	2.7	3.2
	R1/8	<b>KJT23-01S</b>				15.2	15.4*							
4	M3 $\times$ 0.5	<b>KJT04-M3</b>	7	9.3	15.6	13	15.1	12.7	0.8	0.9	3.1			
	M5 $\times$ 0.8	<b>KJT04-M5</b>				13.7	15.3					3.5	4.5	3.5
	R1/8	<b>KJT04-01S</b>				15.7	16.4*							
6	M5 $\times$ 0.8	<b>KJT06-M5</b>	7	11.6	16.1	14.7	17.4	13.5	3.5	4.5	4.4			
	R1/8	<b>KJT06-01S</b>			10	17.8	16.7					18.5*	9	11

\*Reference dimensions after R thread installation.

Note)  $\phi$  D: Max. diameter



(R1/8)



IV

KJ

KQ2

RP

GP

PF

PN

PK

PB

Y

MQC

BSL

AS

RQ

PU

AG,DG

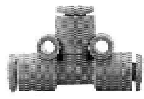


# Mini One-touch Fittings

Applicable Tubing:  $\phi 3.2, \phi 4, \phi 6$

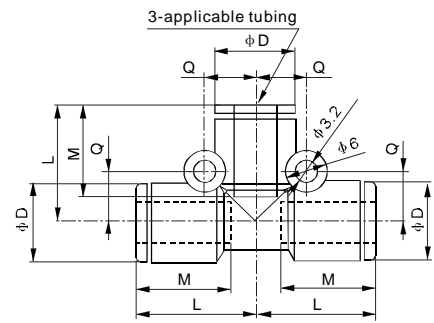
## Series KJ

### Union Tee: KJT



Applicable tubing O.D. (mm)	Model	Note) $\phi D$	L	Q	M	Effective area (mm <sup>2</sup> )		Weight (g)
						Nylon	Urethane	
3.2	<b>KJT23-00</b>	8.4	15	5.8	12.7	3.2	2.7	2.5
4	<b>KJT04-00</b>	9.3	15.8	6.3	12.7	4.5	4.5	3
6	<b>KJT06-00</b>	11.6	17.1	7.3	13.5	11	11	4.6

Note)  $\phi D$ : Max. diameter

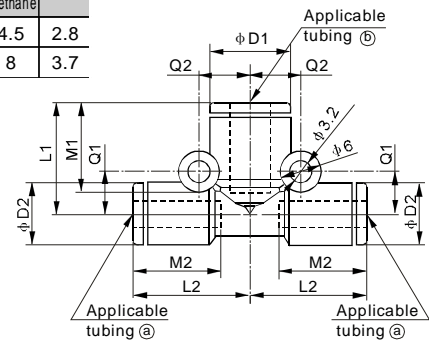


### Different Diameter Tee: KJT



Applicable tubing O.D. (mm)		Model	Note) $\phi D1$	Note) $\phi D2$	L1	L2	Q1	Q2	M1	M2	Effective area (mm <sup>2</sup> )		Weight (g)
Ⓐ	Ⓑ										Nylon	Urethane	
3.2	4	<b>KJT23-04</b>	9.3	8.4	15.3	15.8	5.8	6.3	12.7	12.7	4.5	4.5	2.8
4	6	<b>KJT04-06</b>	11.6	9.3	16.6	16.8	6.3	7.3	13.5	12.7	8	8	3.7

Note)  $\phi D1, \phi D2$ : Max. diameter

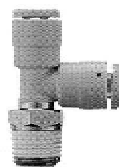


### Male Run Tee: KJY

(M3, M5)



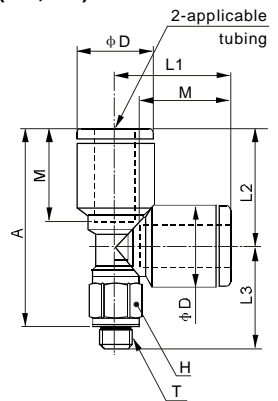
(R1/8)



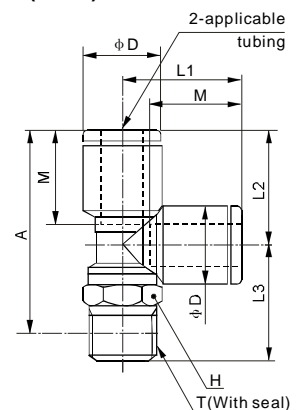
Applicable tubing O.D. (mm)	Connection thread T	Model	H (width across flats)	Note) $\phi D$	L1	L2	L3	A	M	Effective area (mm <sup>2</sup> )		Weight (g)			
										Nylon	Urethane				
3.2	M3×0.5	<b>KJY23-M3</b>	7	8.4	15.4	14.8	12.5	24.7	12.7	0.9	0.9	2.8			
	M5×0.8	<b>KJY23-M5</b>								3.2	2.7	3.2			
	R1/8	<b>KJY23-01S</b>	10							15.2	26*	7.4			
4	M3×0.5	<b>KJY04-M3</b>	7	9.3	15.6	14.8	13	25.2	12.7	0.9	0.9	3.1			
	M5×0.8	<b>KJY04-M5</b>								4.5	4.5	3.5			
	R1/8	<b>KJY04-01S</b>	10							15.7	26.5*	7.7			
6	M5×0.8	<b>KJY06-M5</b>	7	11.6	17.1	17.1	14.7	28.7	13.5	4.5	4.5	4.5			
	R1/8	<b>KJY06-01S</b>								10	17.5	16.6	16.7	29.3*	11

\*Reference dimensions after R thread installation.  
Note)  $\phi D$ : Max. diameter

(M3, M5)



(R1/8)



# Mini One-touch Fittings

Applicable Tubing:  $\phi$  3.2,  $\phi$  4,  $\phi$  6

## Series KJ

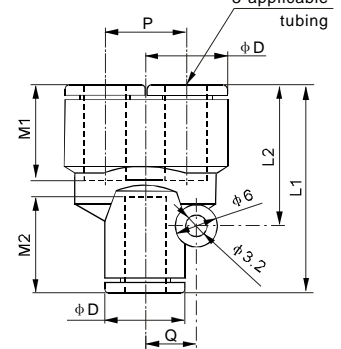


### Union "Y": KJU



Applicable tubing O.D. (mm)	Model	Note) $\phi$ D	L1	L2	P	Q	M1	M2	Effective area (mm <sup>2</sup> )		Weight (g)
									Nylon	Urethane	
3.2	<b>KJU23-00</b>	8.4	28.5	19	8.4	5.8	12.7	12.9	3.2	2.7	2.6
4	<b>KJU04-00</b>	9.3	27.9	18.3	9.3	6.3	12.7	12.9	4.5	4.5	3
6	<b>KJU06-00</b>	11.6	31.2	21.6	11.6	7.3	13.5	13.7	11	11	4.7

Note)  $\phi$ D: Max. diameter

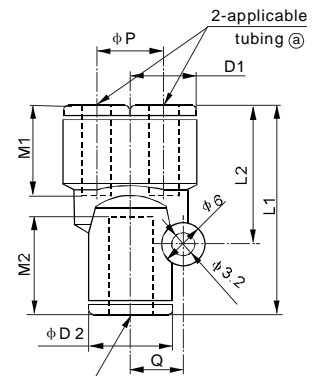


### Different Diameter Union "Y": KJU



Applicable tubing O.D. (mm)		Model	Note) $\phi$ D1	Note) $\phi$ D2	L1	L2	P	Q	M1	M2	Effective area (mm <sup>2</sup> )		Weight (g)
a	b										Nylon	Urethane	
3.2	4	<b>KJU23-04</b>	8.4	9.3	27.5	18.3	8.4	6.3	12.7	12.9	4.5	4.5	2.7
4	6	<b>KJU04-06</b>	9.3	11.6	29.2	19.3	9.3	7.3	13.5	13.7	8	8	3.7

Note)  $\phi$ D1,  $\phi$ D2: Max. diameter

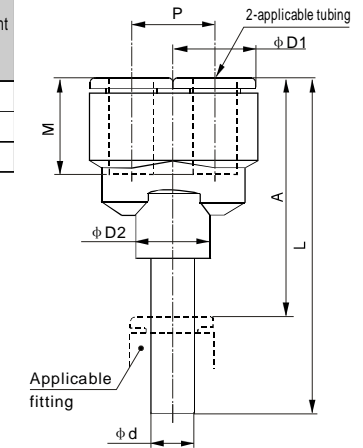


### Plug-in "Y": KJU



Applicable tubing O.D. (mm)	Applicable fitting size $\phi$ d	Model	Note) $\phi$ D1	$\phi$ D2	L	P	A	M	Effective area (mm <sup>2</sup> )		Weight (g)
									Nylon	Urethane	
3.2	3.2	<b>KJU23-99</b>	8.4	10	43.5	8.4	34.1	12.7	3.2	2.7	2.7
4	4	<b>KJU04-99</b>	9.3	10	44.7	9.3	35.3	12.7	4.5	4.5	3.2
6	6	<b>KJU06-99</b>	11.6	10	47.8	11.6	37.6	13.5	11	11	4.5

Note)  $\phi$ D1: Max. diameter

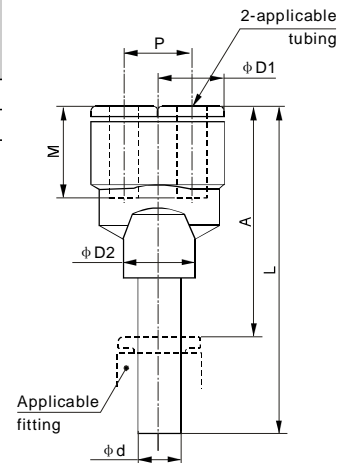


### Different Diameter Plug-in "Y": KJX



Applicable tubing O.D. (mm)	Applicable fitting size $\phi$ d	Model	Note) $\phi$ D1	$\phi$ D2	L	P	A	M	Effective area (mm <sup>2</sup> )		Weight (g)
									Nylon	Urethane	
3.2	4	<b>KJX23-04</b>	8.4	10	44.5	8.4	34.6	12.7	4.5	4.5	2.8
4	6	<b>KJX04-06</b>	9.3	10	45.7	9.3	35.5	12.7	8	8	3.5

Note)  $\phi$ D1: Max. diameter



IV

KJ

KQ2

RP

GP

PF

PN

PK

PB

Y

MQC

BSL

AS

RQ

PU

AG,DG

# Mini One-touch Fittings

Applicable Tubing:  $\phi$  3.2,  $\phi$  4,  $\phi$  6

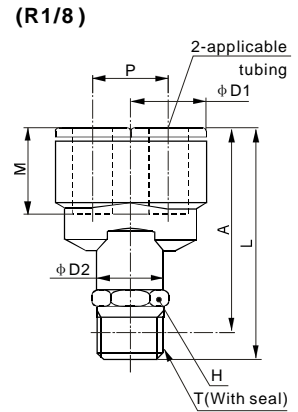
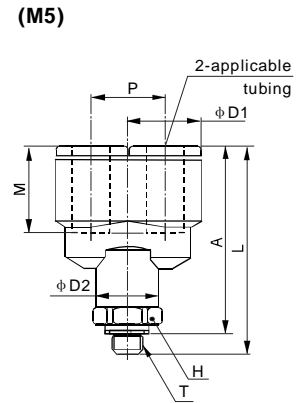
## Series KJ

### Branch: KJU

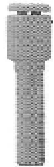


Applicable tubing O.D. (mm)	Connection thread T	Model	H (width across flats)	Note) $\phi$ D1	$\phi$ D2	L	P	A	M	Effective area (mm <sup>2</sup> )		Weight (g)
										Nylon	Urethane	
3.2	M5×0.8	<b>KJU23-M5</b>	10	8.4	10	30.6	8.4	27.5	12.7	2.2	2.2	5.9
	R1/8	<b>KJU23-01S</b>				34.1		30.1*		3.2	2.7	8.3
4	M5×0.8	<b>KJU04-M3</b>	10	9.3	10	31.3	9.3	28.2	12.7	2.2	2.2	6.4
	R1/8	<b>KJU04-01S</b>				34.8		30.8*		4.5	4.5	8.8
6	M5×0.8	<b>KJU06-M5</b>	10	11.6	10	33.4	11.6	30.3	13.5	2.2	2.2	7.4
	R1/8	<b>KJU06-01S</b>				36.9		32.9*		11	11	9.9

\*Reference dimensions after R thread installation.  
Note)  $\phi$  D: Max. diameter

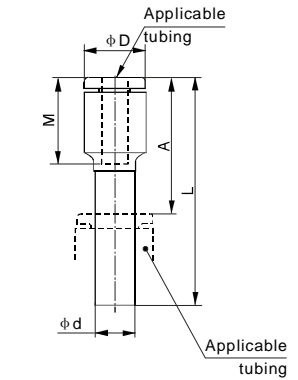


### Plug-in Reducer: KJR



Applicable tubing O.D. (mm)	Applicable fitting size $\phi$ d	Model	Note) $\phi$ D	L	A	M	Effective area (mm <sup>2</sup> )		Weight (g)
							Nylon	Urethane	
3.2	4	<b>KJR23-04</b>	8.4	32	19.3	12.7	3	2.5	0.9
	6	<b>KJR23-06</b>		33	19.5				1.1
4	6	<b>KJR04-06</b>	9.3	33.5	20	12.7	4	4	1.3

Note)  $\phi$  D: Max. diameter



### Bulkhead Union: KJE



Applicable tubing O.D. (mm)	Model	T	H (width across flats)	L	Mounting hole	M	Effective area (mm <sup>2</sup> )		Weight (g)
							Nylon	Urethane	
3.2	<b>KJE23-00</b>	M8×0.75	10	26	9	12.7	3	2.5	4.6
4	<b>KJE04-00</b>	M9×0.75	11	26	10	12.7	4	4	5.6
6	<b>KJE06-00</b>	M11×0.75	14	27.7	12	13.5	10	10	8.5

