

Air Filter / Regulator + Lubricator

Mini Type 2 Units Air Combination

Series FRL600A

ANSSION
PNEUMATIC & HYDRAULIC

◆ How to Order

FRL600A – 02 N C H



Drain type

| | |
|-----|-----------------|
| Nil | Semi-auto drain |
| H | Manual drain |

Filtration

| | | | |
|-----|-------|---|--------|
| Nil | 5 μ m | C | 40 μ m |
|-----|-------|---|--------|

Thread

| | | | |
|-----|---|---|-----|
| Nil | G | N | NPT |
|-----|---|---|-----|

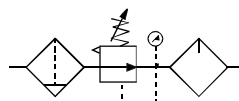
Port size

| | | | |
|----|-----|----|-----|
| 01 | 1/8 | 02 | 1/4 |
|----|-----|----|-----|

Air Filter / Regulator+Lubricator

| | |
|---------|--------------------|
| FRL600A | Polycarbonate body |
|---------|--------------------|

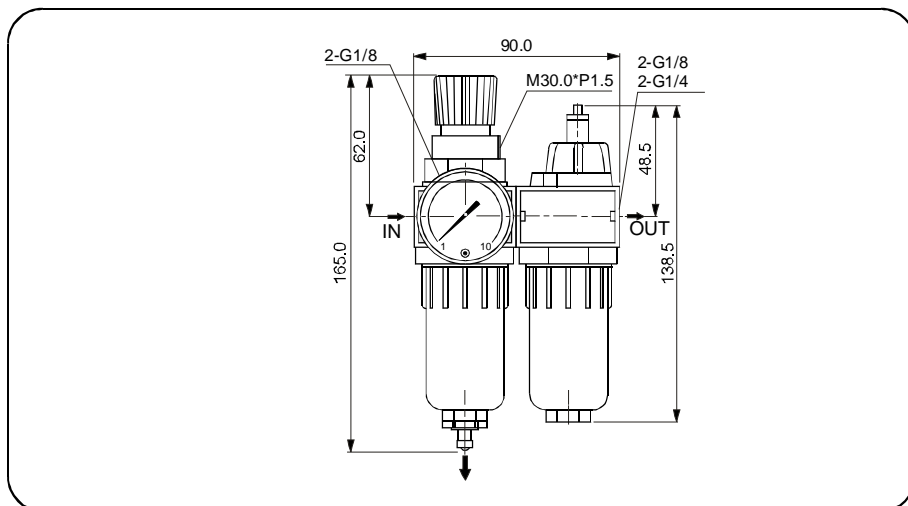
Symbol



◆ Specifications

| Model | FRL600A-01 | FRL600A-02 |
|-------------------------------|---|---------------|
| Port size | 1/8(option) | 1/4(standard) |
| Fluid | Air | |
| Construction | Diaphragm type regulator | |
| Body material | Polycarbonate | |
| Bowl material | Polycarbonate(standard), Anti-acid & alkali(option) | |
| Filtration | 5 μ m(standard),40 μ m(option) | |
| Set pressure range | 0.05~0.8 MPa | |
| Max. Inlet pressure(standard) | 0.8 MPa | |
| Max. flow rate | 1650 l/min | 1850 l/min |
| Ambient and fluid temperature | -10°C~60°C(No freezing) | |
| Recommended lubricant | Turbin oil class 1(ISO VG32) | |
| Filter bowl capacity | 35cc | |
| Lubricator bowl capacity | 50cc | |
| Standard drain | Semi-automatic drain(below 0.05MPa) | |
| Net weight | 560g | |
| Accessories | 1 Gauge, 1 bracket, 4 screw, 1 plug | |

◆ Dimensions



III

AD401,402

AC

AW

AF

AR

AL

UFRL

UFR/L

UFR

UF

UR

UL

FRL700A

FRL600A

FR500A

F200A

NR200

R 200

L200A

AAC,ABC

AAF,ABF

AAFR,ABFR

AAF,ABF

AAR,ABR

AAL,ABL

SFC

SFR

SL