

Twin Rod Cylinder

Double Acting, Single Rod / Double Rod

Series DPZ, DPZJ

◆ How to Order

DPZ 10-40-P-A-□-S2

Piston rod

Nil	Single rod	S2	Double rod
-----	------------	----	------------

*DPZJ type is only S2.

Bearing Type

GF	Slide bearing
KF	Ball bush bearing

Magnet

A	Built-in magnet
---	-----------------

Cushion

P	Rubber bumper
---	---------------

Stroke (mm)

10...200mm

Bore size(mm)

10	16	20	25	32
----	----	----	----	----

Model

DPZ	Double acting, single rod
DPZJ	Double acting, double rod



Symbol

DPZ□-□-P-A

DPZ□-□-P-A-S2



DPZJ□-□-P-A-S2



◆ Specifications

Bore size (mm)	10	16	20	25	32
Action	Double acting, single rod / double rod				
Fluid	Filtered compressed air				
Proof pressure	1.5MPa				
Operating pressure range	0.05-1.0MPa				
Ambient and fluid temperature	-20~80℃(No freezing)				
Port size	M5				G 1/8
Cushion	Rubber bumper				

Twin Rod Cylinder

Double Acting, Single Rod / Double Rod

Series DPZ, DPZJ



◆ Materials

Variant		Basic version
1 Housing		Wrought aluminium alloy
2 Yoke plate		Tempered steel
3 Plug cap		Wrought aluminium alloy
4 Piston rod	GF	High-alloy stainless steel
	KF	Tempered steel
-Seals		Polyurethane, nitrile rubber

◆ Dimensions

DPZ□-□-P-A φ 10, 16

① Mounting slot for Auto switch
 ② Stop bolt for stroke adjustment (max. 10 mm)
 ③ Supply port
 + = plus stroke length

φ (mm)	B1	B2	B3	B4	D1 φ	D2 φ	D3 φ	D4	D5	H1	H2	H3	H4	H5	L1		L2	
															GF	KF	GF	KF
10	48	50	33	28	6	7.5	M5	M4	M5	20	19	13	4.5	11.5	89.6	100	71.6	82
16	58	60	39	40	8	7.5	M5	M4	M5	13	22	16	6	13	93.63	107	74.6	88

φ (mm)	L3	L4	L5	L7		L8		L11		L12 ±0.2		T1	T2	T3	T4	⌀C1
				GF	KF	GF	KF	GF	KF	GF	KF					
10	8	10	30	23.4	40.7	13.1	30.8	24.8	24.4	45.4	44.2	4.4	6	5	5	7
16	9	10	30	22	38.9	11.6	25.5	30.6	30.6	51.4	54.4	4.4	5.5	6.5	5	8

φ (mm)	φ L18 ±0.03	L19 ±0.03
10	-	-
25	-	-
40	-	-
50	40	-
80	40	80
100	40	80

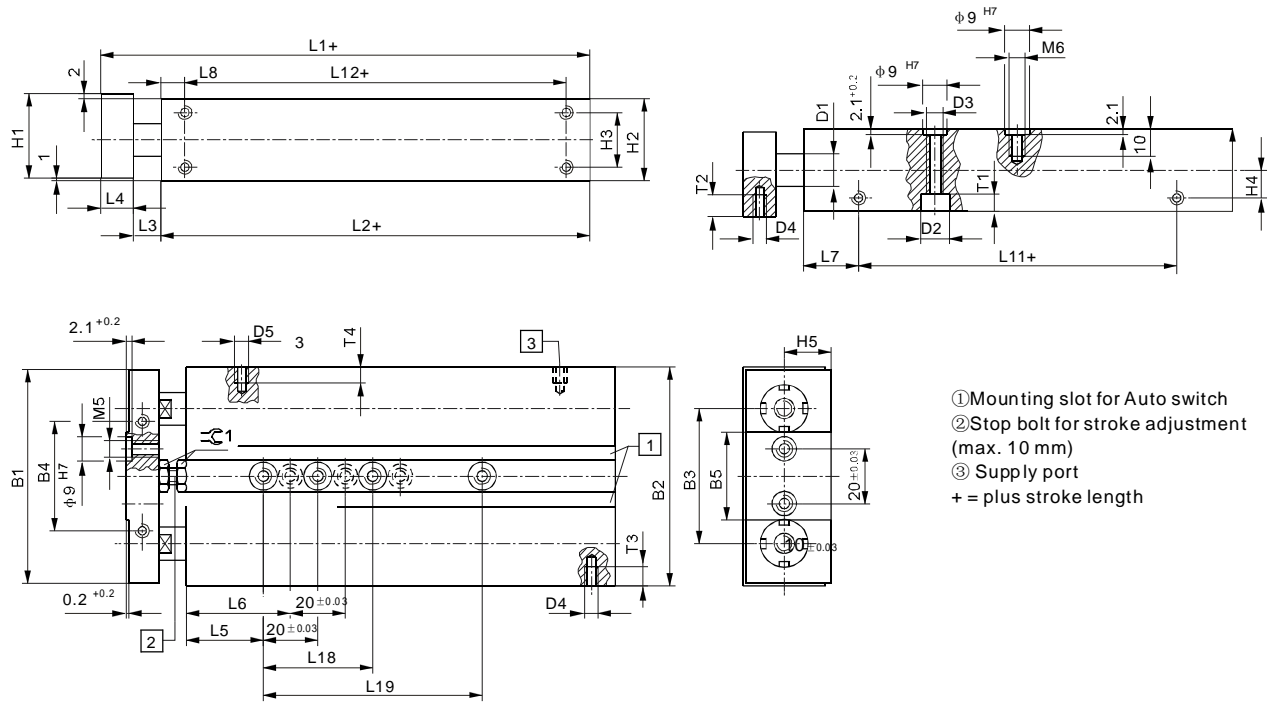
- I
- CJP
- CJ1
- DNC
- DNCB
- DNG
- C95
- SI
- CS1
- MB
- SU
- SC
- DSNU
- C85
- CJ2
- CM2
- MA
- MAL
- ADVU
- CQ2
- CQS
- SDA
- CU
- DPZ**
- CXS
- TN
- ADVUL
- CQM
- MGP
- MGG
- CRA1
- CY1B
- CS Auto switch
- D Auto switch
- AC,AD
- HR
- RB
- RBQ

Twin Rod Cylinder

Double Acting, Single Rod / Double Rod

Series DPZ, DPZJ

DPZ□-□-P-A φ 20, 25, 32mm



φ (mm)	B1	B2	B3	B4	B5	D1 φ	D2 φ	D3 φ	D4	D5	H1	H2	H3	H4	H5	L1		L2	
																GF	KF	GF	KF
20	70	72	45.6	40	32	10	9	M6	M5	M5	25	24	16	7	14	98.6	115	76.6	93
25	78	80	49.2	40	32	12	10.5	6.4	M5	M5	31	30	20	10	17	98.6	116	76.6	94
32	96	98	57	40	35	16	10.5	6.4	M6	G1/8	39	38	26	11.5	21	110.1	130	80.1	100

φ (mm)	L3	L4	L5	L6	L7		L8		L11		L12±0.2		T1	T2	T3	T4	∅C1
					GF	KF	GF	KF	GF	KF	GF	KF					
20	10	12	30	-	22.8	43.4	12.9	33.5	31	30.7	50.8	50.5	5.4	6.5	7	6	10
25	10	12	28	38	20.2	40	8.7	28.8	36.2	33.8	59.2	56.5	6.4	8	7	6	10
32	15	15	35	45	25	44.9	10	26	30.1	30.1	60.1	64	6.4	8	9	9	10

φ (mm)	φ L18 ±0.03	L19 ±0.03
10	-	-
25	-	-
40	-	-
50	40	-
80	40	80
100	40	80

Twin Rod Cylinder

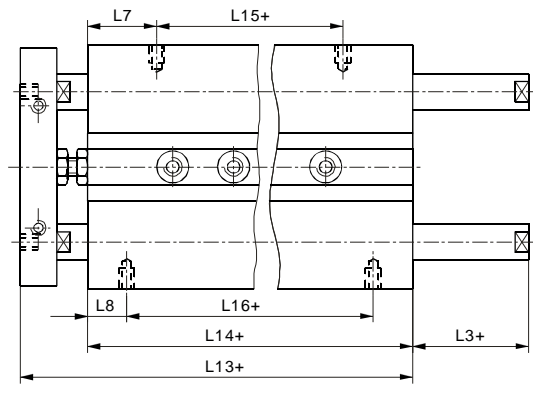
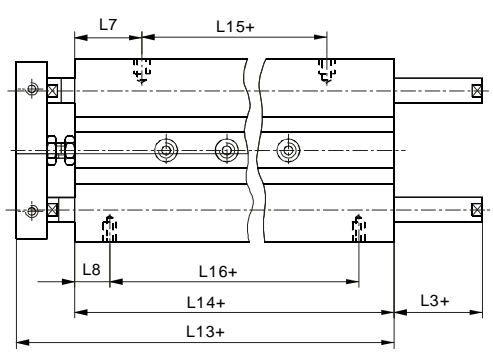
Double Acting, Single Rod / Double Rod

Series DPZ, DPZJ



DPZ□-□-P-A-S2 φ 10, 16mm

φ 20, 25, 32mm

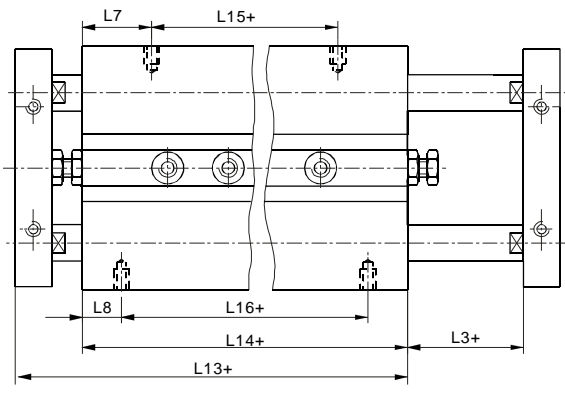
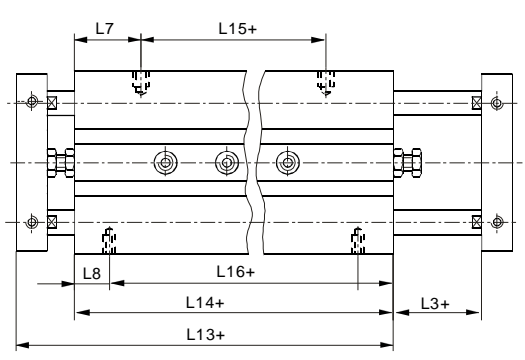


+ = plus stroke length

φ [mm]	L3	L7		L8		L13		L14		L15		L16±0.2	
		GF	KF	GF	KF	GF	KF	GF	KF	GF	KF	GF	KF
10	8	23.4	40.7	13.1	30.8	89.6	124	71.6	106	24.8	24.7	45.4	44.4
16	9	22	38.9	11.6	25.5	93.6	127.4	74.6	108.4	30.6	30.6	51.4	57.4
20	10	22.8	43.4	12.9	33.5	98.6	139.2	76.6	117.2	31	30.4	50.8	50.2
25	10	20.2	40	8.7	28.8	98.6	135	76.6	113	36.2	33	59.2	55.4
32	15	25	44.9	10	26	110.1	149.9	80.1	119.9	30.1	30.1	60.1	67.9

DPZJ□-□-P-A-S2 φ 10, 16mm

φ 20, 25, 32mm



+ = plus stroke length

φ [mm]	L3	L7		L8		L13		L14		L15		L16±0.2	
		GF	KF	GF	KF	GF	KF	GF	KF	GF	KF	GF	KF
10	8	23.4	40.7	13.1	30.8	89.6	124	71.6	106	24.8	24.7	45.4	44.4
16	9	22	38.9	11.6	25.5	93.6	127.4	74.6	108.4	30.6	30.6	51.4	57.4
20	10	22.8	43.4	12.9	33.5	98.6	139.2	76.6	117.2	31	30.4	50.8	50.2
25	10	20.2	40	8.7	28.8	98.6	135	76.6	113	36.2	33	59.2	55.4
32	15	25	44.9	10	26	110.1	149.9	80.1	119.9	30.1	30.1	60.1	67.9

I

CJP

CJ1

DNC

DNCB

DNG

C95

SI

CS1

MB

SU

SC

DSNU

C85

CJ2

CM2

MA

MAL

ADVU

CQ2

CQS

SDA

CU

DPZ

CXS

TN

ADVUL

CQM

MGP

MGG

CRA1

CY1B

CS

Auto switch

D

Auto switch

AC,AD

HR

RB

RBQ