

ISO / VDMA Standard Cylinder

Double Acting, Single Rod / Double Rod

Series DNG

◆ How to Order

DNG 80-320-PPV-A-□

Piston rod

Nil	Single rod	S2	Double rod
S3	Stainless steel piston rod		

Magnet

Nil	Without magnet	A	Build-in magnet
------------	----------------	----------	-----------------

Cushion

PPV	Adjustable air cushion at both ends
------------	-------------------------------------

Cylinder stroke (mm)

10...2000mm

Bore size (mm)

32	40	50	63	80	100
-----------	-----------	-----------	-----------	-----------	------------

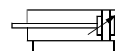
Model

DNG	Double-acting	
Conforms to	■ ISO 15552	■ NFE 49003.1
	■ ISO 6431	■ UNI 10290
	■ VDMA 24562	

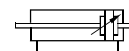


Symbol

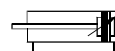
DNG□-□-PPV



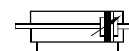
DNG□-□-PPV-S2



DNG□-□-PPV-A



DNG□-□-PPV-A-S2



◆ Specifications

Bore size (mm)	32	40	50	63	80	100
Action	Double acting, single rod / double rod					
Fluid	Filtered compressed air					
Proof Pressure	1.5MPa					
Operating pressure range	0.05-1.0 MPa					
Ambient and fluid temperature	-20~80°C (No freezing)					
Port size	G1/8	G1/4		G3/8		G1/2
Piston rod thread	M10×1.25	M12×1.25	M16×1.5		M20×1.5	
Cushion	Adjustable air cushion at both ends					

Note): Please contact with ANSSION for the mounting accessories.

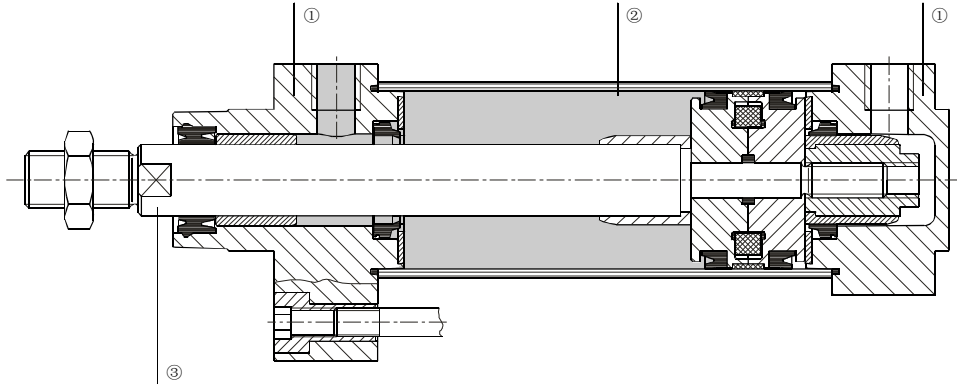
ISO / VDMA Standard Cylinder

Double Acting, Single Rod / Double Rod

Series DNG

ANSSION
PNEUMATIC & HYDRAULIC

◆ Materials

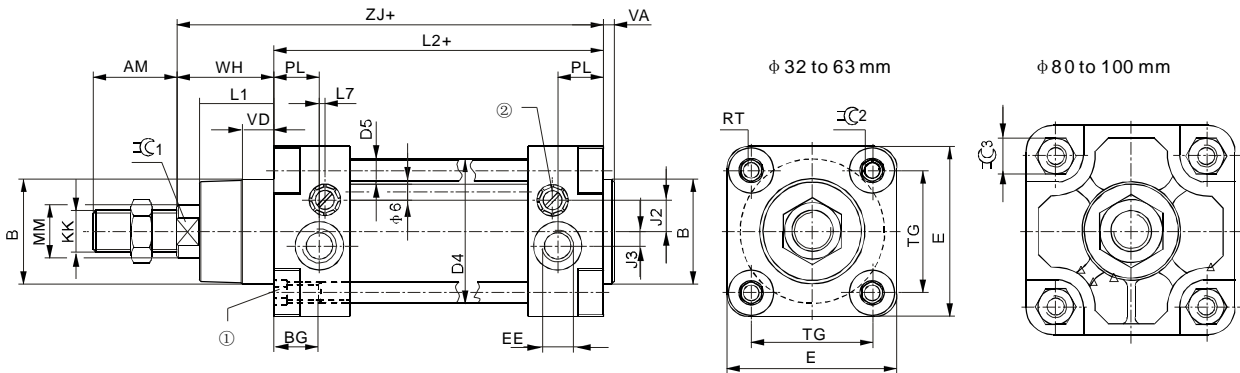


DNG Basic type

① Bearing and end caps	Aluminium	③ Piston rod, tie rod	High-alloy steel
② Cylinder barrel	Aluminium	-Seals	Polyurethane, nitrile rubber

◆ Dimensions

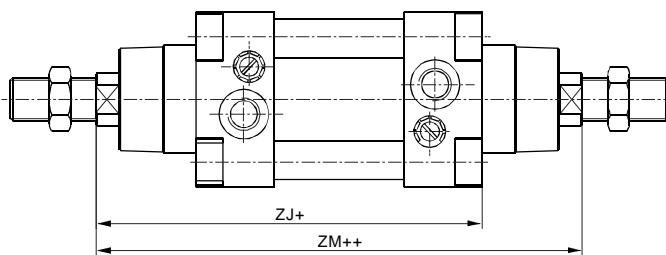
DNG□-□-PPV-A (Basic style)



- ① Socket head screw with female thread for mounting attachments
- ② Regulating screw for adjustable end-position cushioning

Note): The dimensions of built-in magnet type cylinder are exactly the same as without-magnet type cylinder.

DNG□-□-PPV-A-S2 (Double rod style)



+ = plus stroke length
++ = plus 2x stroke length

Note): The dimensions of built-in magnet type cylinder are exactly the same as without-magnet type cylinder.

- I
- CJP
- CJ1
- DNC
- DNCE
- DNG**
- C95
- SI
- CS1
- MB
- SU
- SC
- DSNU
- C85
- CJ2
- CM2
- MA
- MAL
- ADVU
- CQ2
- CQS
- SDA
- CU
- DPZ
- CXS
- TN
- ADVUI
- CQM
- MGP
- MGG
- CRA1
- CY1B
- CS
Auto switch
- D
Auto switch
- AC, AI
- HR
- RB
- RBQ

ISO / VDMA Standard Cylinder

Double Acting, Single Rod / Double Rod

Series DNG

Bore size(mm)	AM	B \varnothing d11	BG	D4 \varnothing	D5 \varnothing	E	EE	J2	J3
32	22	30	17	37	6	50	G1/8	7	-
40	24	35	16.5	45	6	55	G1/4	9.5	2.5
50	32	40	17	55	8	65	G1/4	12	5.5
63	32	45	19.5	68	8	75	G3/8	14	6
80	40	45	20	86	10	100	G3/8	15	7
100	40	55	20	107	10	120	G1/2	13	8

Bore size(mm)	KK	L1	L2	L7	MM \varnothing f8	PL	RT	TG	TK
32	M10 \times 1.25	19	94 \pm 0.4	5.8	12	8.8	M6	32.5	20
40	M12 \times 1.25	21.5	105 \pm 0.7	5.3	16	11	M6	38	25
50	M16 \times 1.5	28.5	106 \pm 0.7	2	20	17.5	M8	46.5	28
63	M16 \times 1.5	28.5	121 \pm 0.8	5	20	18	M8	56.5	30
80	M20 \times 1.5	34.5	128 \pm 0.8	8	25	17	M10	72	32
100	M20 \times 1.5	37.5	138 \pm 0.8	13	25	18	M10	89	38

Bore size(mm)	VA	VD	WH	ZJ	ZM	\varnothing C1	\varnothing C2	\varnothing C3
32	4	10.5	26	120	146	10	6	-
40	4	10.5	30	135	165	13	6	-
50	4	12	37	143	180	17	8	-
63	4	12.5	37	158	195	17	8	-
80	4	16.5	46	174	220	22	-	17
100	4	15.5	51	189	240	22	-	17