

# Vacuum Ejector Series CV

**ANSSION**  
PNEUMATIC & HYDRAULIC



### ◆ How to Order

CV - 10

Port size

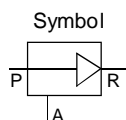
05	1/8	10	1/8
15	1/4	20	3/8

Model

CV Series	Vacuum Ejector
-----------	----------------

V
CV
ZU
ZH

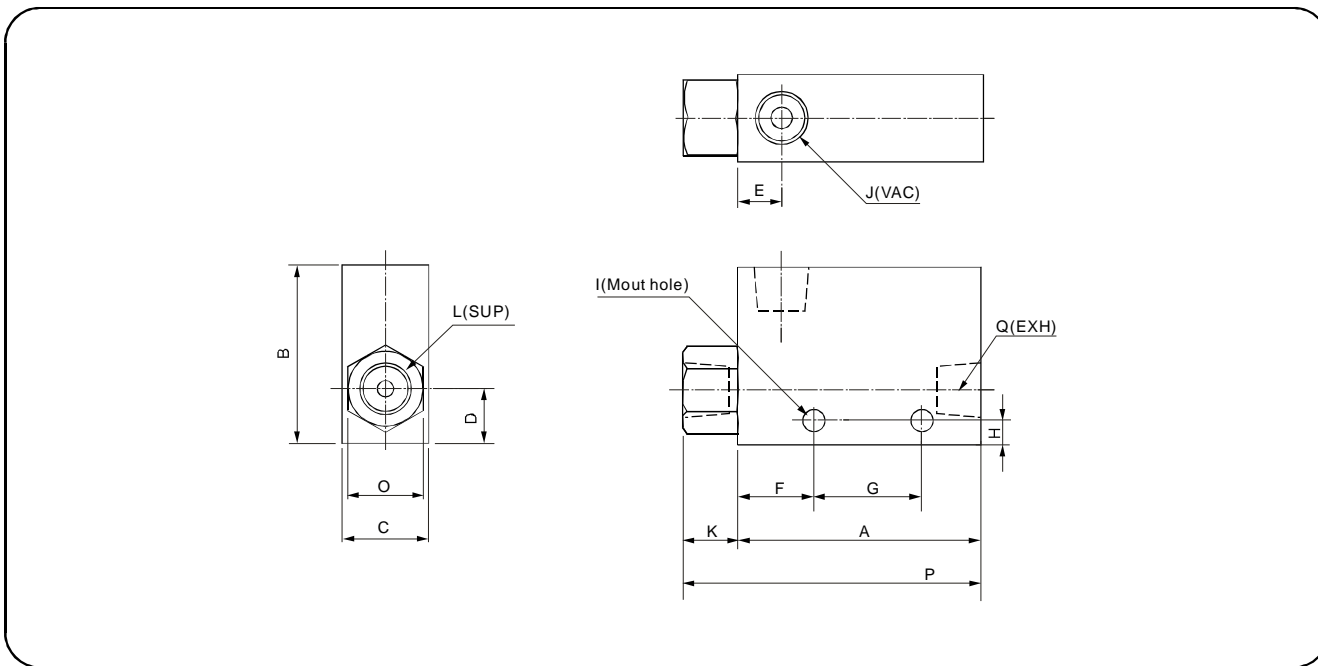
### ◆ Specifications



Model	CV-05	CV-10	CV-15	CV-20
Fluid	Air			
Port size	Rc1/8	Rc1/8	Rc1/4	Rc3/8
Nozzle dia.	0.5mm	1.0mm	1.5mm	2.0mm
Standard supply pressure	0.5MPa			
Ambient and fluid temperature	0~60°C (No freezing)			
Max. Vacuum pressure(kPa)	-86.7kPa	-91.8kPa		

\*Supply pressure: 0.45MPa

### ◆ Dimensions



Model	A	B	C	D	E	F	G	H	I	J	K	L	O	P	Q
CV-05	45	33	16	10	8	14	20	4.5	2-Φ4.2	Rc1/8	10	Rc1/8	14	55	Rc1/8
CV-10	45	33	16	10	8	14	20	4.5	2-Φ4.2	Rc1/8	10	Rc1/8	14	55	Rc1/8
CV-15	63	35	20	11	10	20	25	5	2-Φ4.5	Rc1/4	15	Rc1/4	17	78	Rc1/4
CV-20	85	40	30	15	13	28	32	7	2-Φ6	Rc3/8	20	Rc1/4	24	105	Rc1/2