

Standard Cylinder

Double Acting, Single Rod

Series CS1, CDS1

◆ How to Order

C D S1 L 160 - 300

Cylinder stroke

* Refer to "Maximum Stroke" .

Bore size (mm)

125	140	160	180	200	250	300
-----	-----	-----	-----	-----	-----	-----

Mounting style

B	Basic style	C	Single clevis style
L	Foot style	D	Double devis style
F	Rod side flange style	T	Center trunnion style
G	Head side flange style		

Magnet

Nil	Without magnet	D	Built-in magnet
------------	----------------	----------	-----------------

*Built-in magnet only avilabel for bore size 125mm to 200mm.



◆ Specifications

Bore size (mm)	125	140	160	180	200	250	300
Action	Double acting, single rod						
Fluid	Filtered compressed air						
Proof pressure	1.5 MPa						
Operating pressure range	0.05~0.97 MPa						
Ambient and fluid temperature	0~70°C (No freezing)						
Port size	G1/2		G3/4			G1	
Piston rod thread	M30×1.5	M36×1.5	M40×1.5	M45×1.5	M56×2.0	M60×2.0	
Cushion	Adjustable air cushion at both ends						

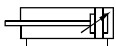
Note): Please contact with ANSSION for the mounting accessories.

◆ Maximum Stroke

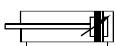
Bore size (mm)	Mounting bracket	Basic style, Head side flange style Single clevis style, Double clevis style Center trunnion style, Foot style Rod side flange style
125		1000 or less
140		1000 or less
160		1200 or less
180		1200 or less
200		1500 or less
250		1500 or less
300		1800 or less

Symbol

CS1B□-□



CDS1B□-□



Standard Cylinder

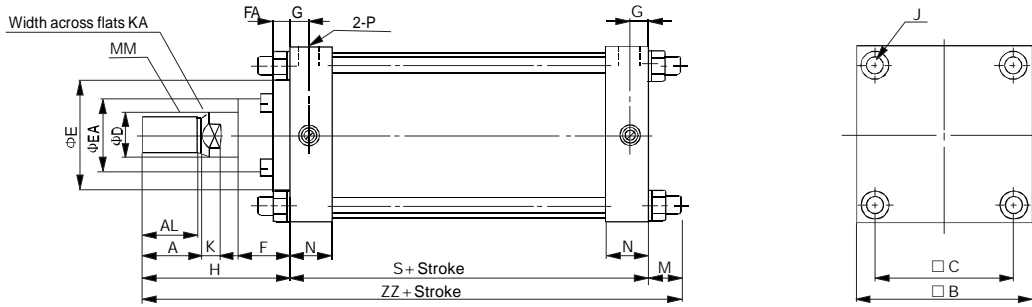
Double Acting, Single Rod

Series CS1, CDS1

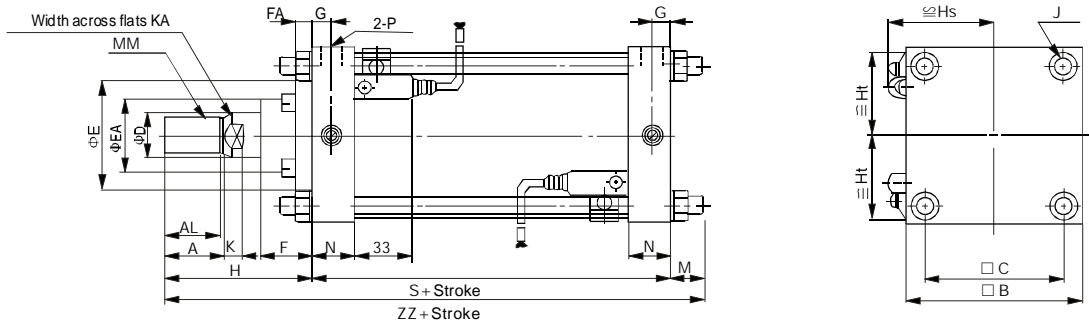
ANSSION
PNEUMATIC & HYDRAULIC

◆ Dimensions

CS1B□-□
(Basic style)



CDS1B□-□
(Basic style, built-in magnet)



Bore size(mm)	Stroke range*(mm)	A	AL	□B	□C	D	E	EA	F	FA	G	J	K	KA	M	MM	N	P	S
125	Up to 1000	50	47	145	115	36	90	59	43	14	16	M14×1.5	15	31	27	M30×1.5	35	G1/2	98
140	Up to 1000	50	47	161	128	36	90	59	43	14	16	M14×1.5	15	31	27	M30×1.5	35	G1/2	98
160	Up to 1200	56	53	182	144	40	90	59	43	14	18.5	M16×1.5	17	36	30.5	M36×1.5	39	G3/4	106
180	Up to 1200	63	60	204	162	45	115	70	48	17	18.5	M18×1.5	20	41	35	M40×1.5	39	G3/4	111
200	Up to 1200	63	60	226	182	50	115	74	48	17	18.5	M20×1.5	20	46	35	M45×1.5	39	G3/4	111
250	Up to 1200	71	67	277	225	60	140	86	60	20	23	M24×1.5	25	56	41.5	M56×2.0	49	G1	141
300	Up to 1200	80	76	330	270	70	140	96	60	20	23	M30×1.5	30	65	51.5	M64×2.0	49	G1	146

Bore size(mm)	H	ZZ
125	110	235
140	110	235
160	120	256.5
180	135	281
200	135	281
250	160	342.5
300	175	372.5

Built-in magnet: Φ 125 to Φ 200

Bore size(mm)	Stroke range(mm)	S	ZZ
125	Up to 1000	98	235
140	Up to 1000	98	235
160	Up to 1200	106	256.5
180	Up to 1200	115	285
200	Up to 998	120	290

except mentioned above are the same as standard type.

I

CJP

CJ1

DNC

DNCB

DNG

C95

SI

CS1

MB

SU

SC

DSNU

C85

CJ2

CM2

MA

MAL

ADVU

CQ2

CQS

SDA

CU

DPZ

CXS

TN

ADVUL

CQM

MGP

MGG

CRA 1

CY1B

CS

Auto switch

D

Auto switch

AC,AD

HR

RB

RBQ