

Compact Cylinder

Double Acting, Single Rod/Double Rod; Single Acting, Spring Return/Extend

Series CQS



◆ How to Order

C D QS B 20 - 10 D -

Body option

Double acting			
Standard stroke		Long stroke	
Nil	Standard chshion	C	With rubber bumper rod end female thread(standard)
C	With rubber bumper		M
M	Rod end male thread		
Single acting			
Nil	Standard(rod end female thread)	M	Rod end male thread

Action

D	Double acting
S	Single acting, spring return
T	Single acting, spring extend

Cylinder stroke

* Refer to "Standard stroke" .

Bore size (mm)

12	16	20	25
----	----	----	----

Mounting style

B	Through-hole / both ends tapped common(standard)
L	Foot style
F	Rod side flange style
G	Head side flange style
D	Double clevis style

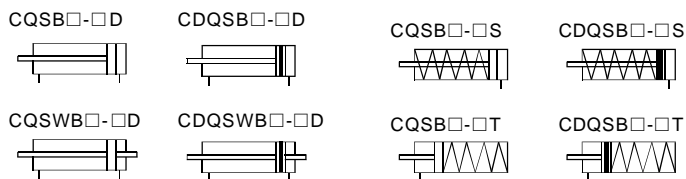
Piston rod

Nil	Single rod	W	Double rod
-----	------------	---	------------

Magnet

Nil	Without magnet	D	Built-in magnet
-----	----------------	---	-----------------

Symbol



◆ Specifications

Bore size (mm)		12	16	20	25
Action	C(D)QS(W)B□-□D	Double acting, single rod / double rod			
	C(D)QSB□-□S/T	Single acting, spring return / extend			
Fluid		Filtered compressed air			
Proof pressure		1.5 MPa			
Operating pressure range	C(D)QS(W)B□-□D	0.07 ~1.0MPa		0.05~1.0 MPa	
	C(D)QSB□-□S/T	0.25~1.0 MPa		0.18 ~1.0MPa	
Ambient and fluid temperature		-10~70°C (No freezing)			
Port size		M5×0.8			
Piston rod thread	Female thread	M3×0.5	M4×0.7	M5×0.8	M6×1.0
	Male thread	M5×0.8	M6×1.0	M8×1.25	M10×1.25
Cushion		Without cushion / rubber bumper			

Note): Please contact with ANSSION for the mounting accessories.

I

- CJP
- CJ1
- DNC
- DNCB
- DNG
- C95
- SI
- CS1
- MB
- SU
- SC
- DSNU
- C85
- CJ2
- CM2
- MA
- MAL
- ADVU
- CQ2**
- CQS**
- SDA
- CU
- DPZ
- CXS
- TN
- ADVUL
- CQM
- MGP
- MGG
- CRA1
- CY1B
- CS
Auto switch
- D
Auto switch
- AC,AD
- HR
- RB
- RBQ

Compact Cylinder

Double Acting, Single Rod/Double Rod; Single Acting, Spring Return/Extend

Series CQS

Cylinder stroke

Bore size (mm)	Double acting		Single acting
	Standard stroke (mm)	Long stroke (mm)	Standard stroke(mm)
12,16	5, 10,15,20,25,30	35,40,45,50,75,100	5,10
20	5,10,15,20,25,30,	75,100,125,150,175,200	
25	35,40,45,50	75,100,125,150,175,200,250,300	

◆ Dimensions

C(D)QSB □-□D
Basic type(through-hole/both ends tapped common)

Φ 12

Φ 16

2x 4-φ OB counterbore RB
H thread effective depth C
2x 4-OA counterbore RA (Note)
2-M5×0.8
Auto switch
Minimum lead wire bending radius 10
4φN through
Flat washer 4 pcs
B + Stroke
A + Stroke

Note 1) For the following bore/stroke sizes through-hole is threaded over the entire length: Basic style Φ 12 and Φ 16; 5 stroke, Φ 20; 5 to 15 stroke, Φ 25; 5 to 10 stroke, Φ 20 with auto switch built-in magnet; 5 stroke.

Φ 20,25

Rod end male thread

Bore size (mm)	Standard stroke	Long stroke	C ₁	H ₁	X
	L ₁	L ₁			
12	14	24	9	M5×0.8	10.5
16	15.5	25.5	10	M6×1.0	12
20	18.5	28.5	12	M8×1.25	14
25	22.5	32.5	15	M10×1.25	17.5

Bore size (mm)	Standard stroke range (mm)	Standard stroke								Long stroke range (mm)	Long stroke				C	D	E	H	I	K	M	N	OA	OB	Q	RA	RB	T
		Without magnet				Built-in magnet					Without/built-in magnet																	
		A	B	F	L	A	B	F	L		A	B	F	L														
12	5 to 30	20.5	17	5	3.5	25.5	22	5	3.5	35 to 100	45.5	32	7.5	13.5	6	6	25	M3×0.5	32	5	15.5	3.5	M4×0.7	6.5	7.5	7	4	0.5
16	5 to 30	20.5	17	5	3.5	25.5	22	5	3.5	35 to 100	45.5	32	7.5	13.5	8	8	29	M4×0.7	38	6	20	3.5	M4×0.7	6.5	7.5	7	4	0.5
20	5 to 50	24	19.5	5.5	4.5	34	29.5	5.5	4.5	75 to 200	55.5	41	9	14.5	7	10	36	M5×0.8	47	8	25.5	5.4	M6×1.0	9	9	10	7	1
25	5 to 50	27.5	22.5	5.5	5	37.5	32.5	5.5	5	75 to 300	59	44	11	15	12	12	40	M6×1.0	52	10	28	5.4	M6×1.0	9	9	10	7	1

Note): External dimensions with rubber bumper are same as standard type as shown above.

Compact Cylinder

Double Acting, Single Rod/Double Rod; Single Acting, Spring Return/Extend

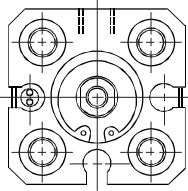
Series CQS



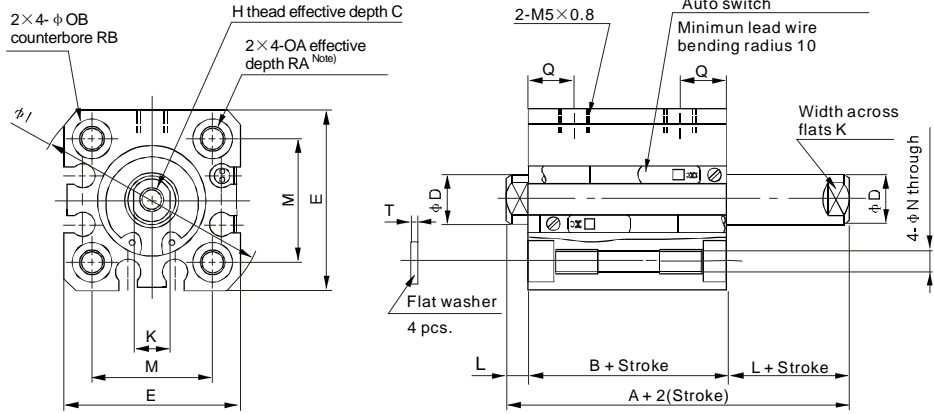
C(D)QSWB□-□D

Double rod style (Through-hole/Both ends tapped common)

Φ 12

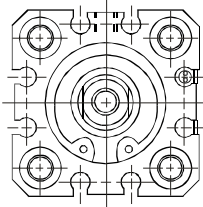


Φ 16

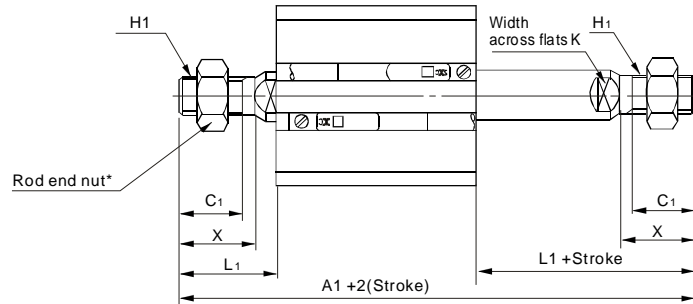


Note 1): For basic style Φ 20 and Φ 25 with 5 stroke, through-hole is threaded over the entire length..

Φ 20,25



Rod end male thread



Bore size (mm)	Without magnet	Built-in magnet	C1	H1	L1	X
	A1	A1				
12	50	55	9	M5×0.8	14	10.5
16	53	58	10	M6×1.0	15.5	15
20	63	73	12	M8×1.25	18.5	14
25	74	84	15	M10×1.25	22.5	17.5

Bore size (mm)	Stroke range (mm)	Without magnet		Built-in magnet		C	D	E	H	I	K	L	M	N	OA	OB	Q	RA	RB	T
		A	B	A	B															
12	5 to 30	29	22	34	27	6	6	25	M×0.5	32	5	3.5	15.5	3.5	M4×0.7	6.5	7.5	7	4	0.5
16	5 to 30	29	22	34	27	8	8	29	M4×0.7	38	6	3.5	20	3.5	M4×0.7	6.5	7.5	7	4	0.5
20	5 to 50	35	26	45	36	7	10	36	M5×0.8	47	8	4.5	25.5	5.4	M6×1.0	9	9	10	7	1
25	5 to 50	39	29	49	39	12	12	40	M6×1.0	52	10	5	28	5.4	M6×1.0	9	11	10	7	1

Note): External dimensions with rubber bumper are same as standard type as shown above.

I

CJP

CJ1

DNC

DNCB

DNG

C95

SI

CS1

MB

SU

SC

DSNU

C85

CJ2

CM2

MA

MAL

ADVU

CQ2

CQS

SDA

CU

DPZ

CXS

TN

ADVUL

CQM

MGP

MGG

CRA1

CY1B

CS

Auto switch

D

Auto switch

AC,AD

HR

RB

RBQ

Compact Cylinder

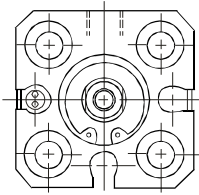
Double Acting, Single Rod/Double Rod; Single Acting, Spring Return/Extend

Series CQS

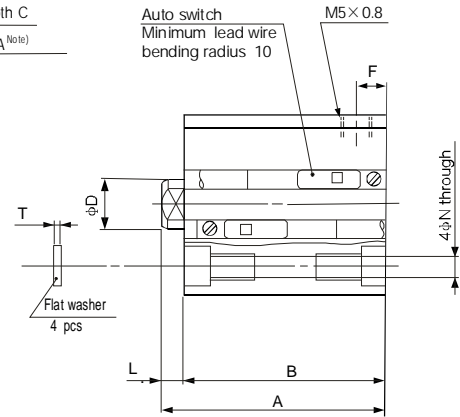
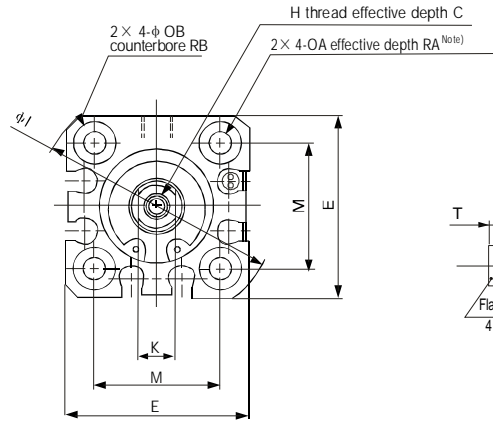
C(D)QSB □-□S

Spring return style(through-hole / Both ends tapped common)

Φ 12

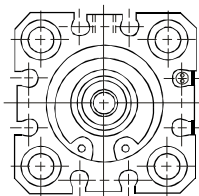


Φ 16

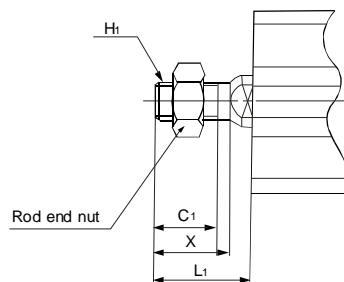


Note): For basic style Φ 12 and Φ 16 with 5 stroke, through-hole is threaded over the entire length.
For basic style Φ 20, Φ 25 with 5 stroke, through-hole is threaded over the entire length.
With auto switch (built-in magnet) / Φ 20; 5 stroke.

Φ 20,25



Rod end male thread



Bore size(mm)	C ₁	H ₁	L ₁	X
12	9	M5×0.8	14	10.5
16	10	M6×1.0	15.5	12
20	12	M8×1.25	18.5	14
25	15	M10×1.25	22.5	17.5

Bore size (mm)	Standard range (mm)	Without magnet				Built-in magnet				C	D	E	F	H	I	K	L	M	N	OA	OB	RA	RB	T
		A		B		A		B																
		5 ST	10 ST	5 ST	10 ST	5 ST	10 ST	5 ST	10 ST															
12	5,10	25.5	30.5	22	27	30.5	35.5	27	32	6	6	25	5	M3×0.5	32	5	3.5	15.5	3.5	M4×0.7	6.5	7	4	0.5
16	5,10	25.5	30.5	22	27	30.5	35.5	27	32	8	8	29	5	M4×0.7	38	6	3.5	20	3.5	M4×0.7	6.5	7	4	0.5
20	5,10	29	34	24.5	29.5	39	44	34.5	39.5	7	10	36	5.5	M5×0.8	47	8	4.5	25.5	5.4	M6×1.0	9	10	7	1
25	5,10	32.5	37.5	27.5	32.5	42.5	47.5	37.5	42.5	12	12	40	5.5	M6×1.0	52	10	5	28	5.4	M6×1.0	9	10	7	1

Note): External dimensions with rubber bumper are same as standard type as shown above.

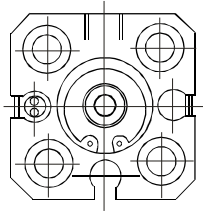
Compact Cylinder Double Acting, Single Rod/Double Rod; Single Acting, Spring Return/Extend Series CQS



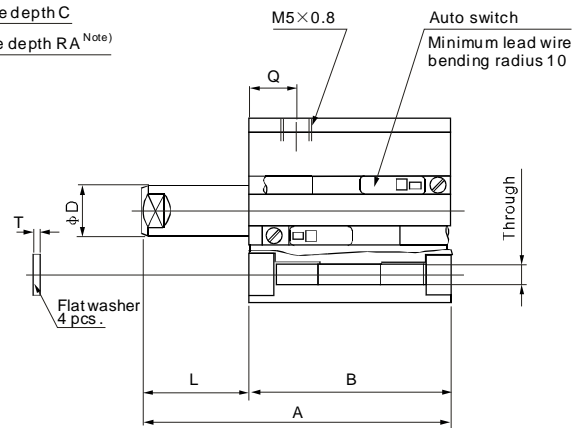
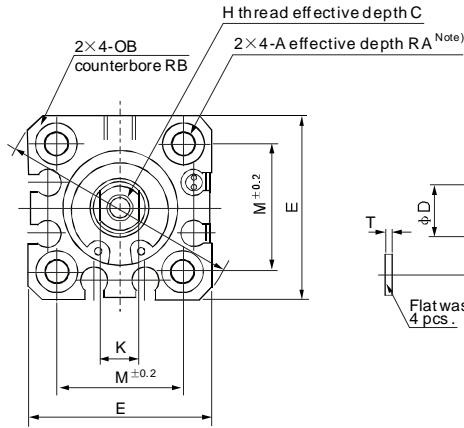
C(D)QSB □-□T

Spring extend style (through-hole/both ends tapped common)

Φ12

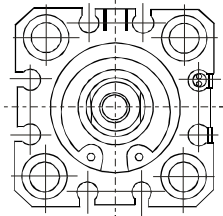


Φ16

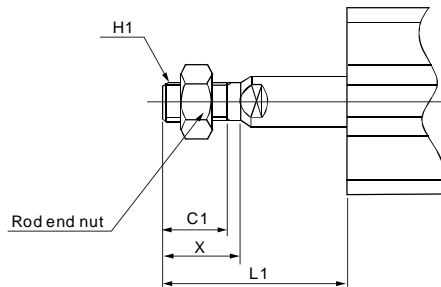


Note): For basic style Φ12 and Φ16 with 5 stroke, through-hole is threaded over the entire length.
For basic style Φ20, Φ25 with 5 stroke, through-hole is threaded over the entire length.
With auto switch (built-in magnet) / Φ20; 5 stroke.

Φ20,25



Rod end male thread



Bore size (mm)	C ₁	H ₁	L ₁		X
			5 ST	10 ST	
12	9	M5×0.8	19	24	10.5
16	10	M6×1.0	20.5	25.5	12
20	12	M8×1.25	23.5	28.5	14
25	15	M10×1.25	27.5	32.5	17.5

Bore size (mm)	Standard range (mm)	Without magnet				Built-in magnet				C	D	E	H	I	K	L		M	N	OA	OB	Q	RA	RB	T
		A		B		A		B								5 ST	10 ST								
		5 ST	10 ST	5 ST	10 ST	5 ST	10 ST	5 ST	10 ST																
12	5,10	30.5	40.5	22	27	35.5	45.5	27	32	6	6	25	M3×0.5	32	5	8.5	13.5	15.5	3.5	M4×0.7	6.5	7.5	7	4	0.5
16	5,10	30.5	40.5	22	27	35.5	45.5	27	32	8	8	29	M4×0.7	38	6	8.5	13.5	20	3.5	M4×0.7	6.5	7.5	7	4	0.5
20	5,10	34	44	24.5	29.5	44	54	34.5	39.5	7	10	36	M5×0.8	47	8	9.5	14.5	25.5	5.4	M6×1.0	9	9	10	7	1
25	5,10	37.5	47.5	27.5	32.5	47.5	57.5	37.5	42.5	12	12	40	M6×1.0	52	10	10	15	28	5.4	M6×1.0	9	11	10	7	1

Note): External dimensions with rubber bumper are same as standard type as shown above.

I

CJP

CJ1

DNC

DNCB

DNG

C95

SI

CS1

MB

SU

SC

DSNU

C85

CJ2

CM2

MA

MAL

ADVU

CQ2

CQS

SDA

CU

DPZ

CXS

TN

ADVUL

CQM

MGP

MGG

CRA1

CY1B

CS

Auto switch

D

Auto switch

AC,AD

HR

RB

RBQ