

# Guide Rod Compact Cylinder

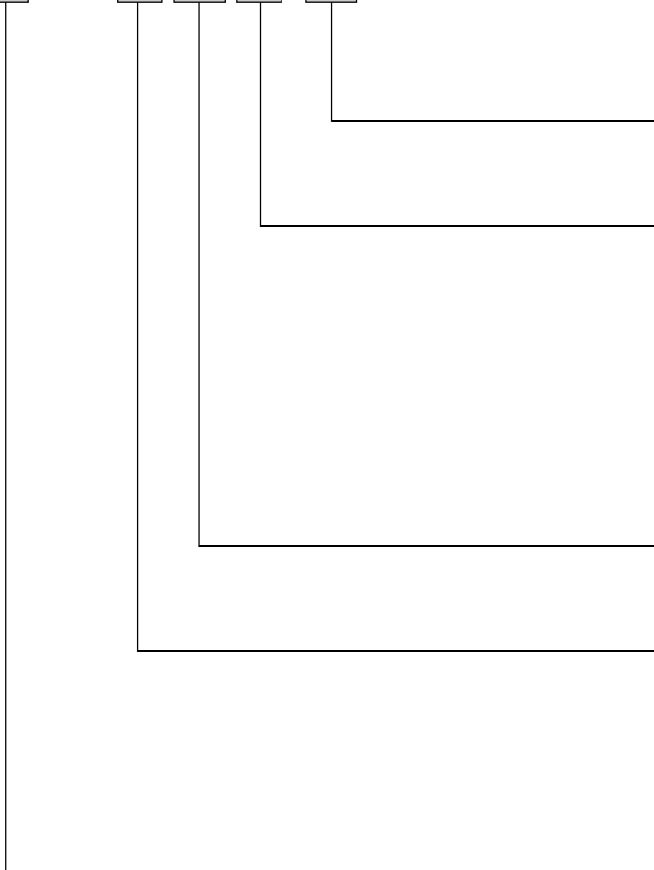
Double Acting, Single Rod

## Series CQM



### ◆ How to Order

C D QM B 20 10



#### Cylinder stroke (mm)

\* Refer to "Standard stroke" .

#### Thread type

Symbol	Port thread	Mounting thread	Bore size
Nil	M thread	M thread	φ 12 to φ 25
	Rc		
TN	NPT		φ 32 to φ 50
TF	G		
NN	M thread	Inch thread	φ 12 to φ 25
	NPT		φ 32 to φ 50

Note): M thread to be used for without auto switch type of φ32, 5 stroke exceptionally.

#### Bore size (mm)

12	16	20	25	32	40	50
----	----	----	----	----	----	----

#### Mounting

B	Through-hole (standard)
A	Both end tapped style (φ 32 to φ 50)

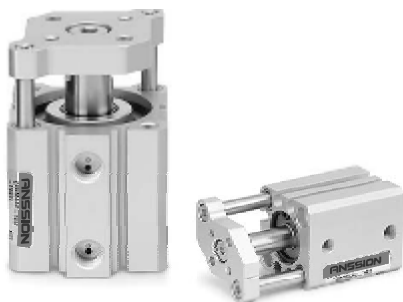
Note): A type is only available for φ 32,40,50.

#### Magent

Nil	Without magent	D	Built-in magent
-----	----------------	---	-----------------

### ◆ Specifications

Bore size (mm)	12	16	20	25	32	40	50
Action	Double acting, single rod						
Fluid	Filtered compressed air						
Proof pressure	1.5 MPa						
Operating pressure range	0.12~1.0 MPa			0.1~1.0 MPa			
Ambient and fluid temperature	-10°C to 70°C (No freezing)						
Port size(Rc,G,NPT)	M5×0.8			1/8		1/4	
Cushion	Rubber bumper						



### ⚠ Caution

This product should not be used as a stopper.

Symbol

CDQMB□-□



### ◆ Standard Stroke

Bore size (mm)	Standard stroke (mm)
12, 16	5, 10, 15, 20, 25, 30
20, 25	5, 10, 15, 20, 25, 30, 35, 40, 45, 50
32, 40	5, 10, 15, 20, 25, 30, 35, 40, 45, 50, 63,75, 80,100
50	10, 15, 20, 25, 30, 35, 40, 45, 50, 63,75,80, 100

### I

CJP

CJ1

DNC

DNCB

DNG

C95

SI

CS1

MB

SU

SC

DSNU

C85

CJ2

CM2

MA

MAL

ADVU

CQ2

CQS

SDA

CU

DPZ

CXS

TN

ADVUL

CQM

MGP

MGG

CRA1

CY1B

CS

Auto switch

D

Auto switch

AC,AD

HR

RB

RBQ

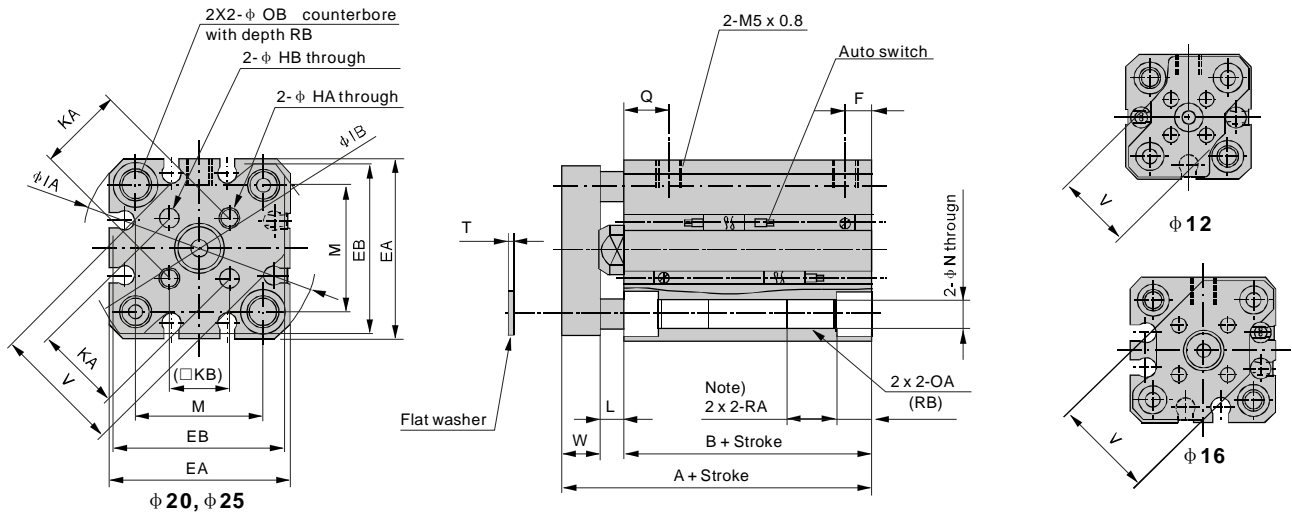
# Guide Rod Compact Cylinder

## Double Acting, Single Rod

# Series CQM

### ◆ Dimensions

**C(D)QM□-□ φ 12 to 25**  
(Basic style, through hole)



Bore size (mm)	Stroke range (mm)	Without magnet		Built-in magnet		EA	EB	F	HA		QA		HB	IA	HB
		A	B	A	B				-	NN	-	NN			
12	5 to 30	26.5	17	31.5	22	25	24	5	M3X0.5	4-40UNC	M4X0.7	8-32UNC	3	32	31.5
16	5 to 30	26.5	17	31.5	22	29	28	5	M3X0.5	4-40UNC	M4X0.7	8-32UNC	3	38	37
20	5 to 50	32	19.5	42	29.5	36	34	5.5	M4X0.7	6-32UNC	M6X1.0	1/4-20UNC	4	47	45.5
25	5 to 50	35.5	22.5	45.5	32.5	40	38	5.5	M5X0.8	10-32UNF	M6X1.0	1/4-20UNC	5	52	50.5

Bore size (mm)	KA	KB	L	M	N	OB	Q	RA	RB	T	V	W
12	10	7.1	3.5	15.5	3.5	6.5	7.5	7	4	0.5	14.9	6
16	14	9.9	3.5	20	3.5	6.5	7.5	7	4	0.5	20	6
20	17	12	4.5	25.5	5.4	9	9	10	7	1	26	8
25	22	15.6	5	28	5.4	9	11	10	7	1	30	8

Note): For the following bore/stroke sizes, the through-hole is threaded.  
Standard without auto switch: φ 12 and φ 16; 5 stroke, φ 25; 5 to 10 stroke.  
Built-in magnet with auto switch: φ 20; 5 stroke.

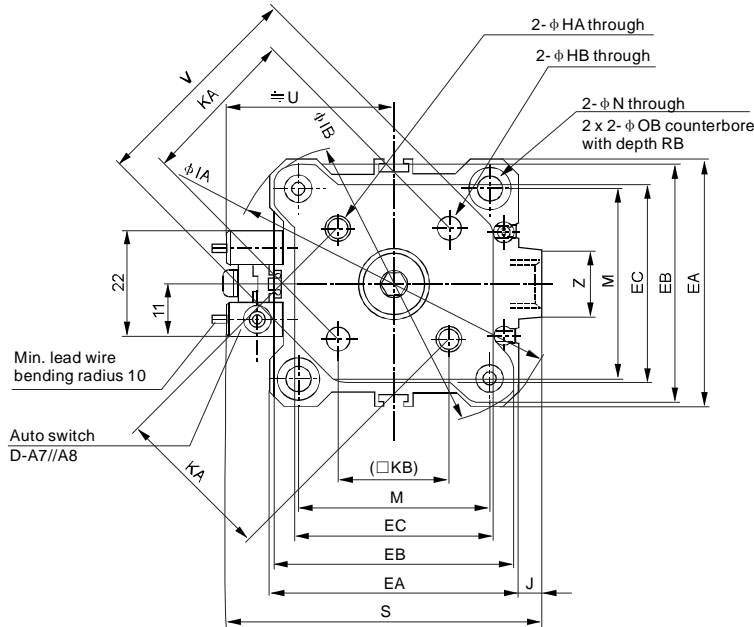
# Guide Rod Compact Cylinder

## Double Acting, Single Rod

# Series CQM

**ANSSION**  
PNEUMATIC & HYDRAULIC

**C(D)QM□-□ φ 32 to 50**  
(Basic style, through hole)



Both ends tapped style (CQMA)

Bore size (mm)	Stroke range (mm)	Without auto switch																		
		A	B	F	Q	P				A	B	F	Q	P				EA	EB	EC
						-	TN	TF	NN					-	TN	TF	NN			
32	5	40	23	5.5	11.5	M5X0.8	-	-	M5X0.8	50	33	7.5	10.5	Rc1/8	NPT1/8	G1/8	NPT1/8	45	43	34.4
	10 to 50	40	23	7.5	10.5	10.5	Rc1/8	G1/8	NPT1/8	50	33	7.5	10.5	Rc1/8	NPT1/8	G1/8	NPT1/8	45	43	34.4
	75, 100	50	33	7.5	10.5	10.5	Rc1/8	G1/8	NPT1/8	50	33	7.5	10.5	Rc1/8	NPT1/8	G1/8	NPT1/8	45	43	34.4
40	5 to 50	46.5	29.5	8	11	11	Rc1/8	G1/8	NPT1/8	56.5	39.5	8	11	Rc1/8	NPT1/8	G1/8	NPT1/8	52	50	41.4
	75, 100	56.5	39.5	8	11	11	Rc1/8	G1/8	NPT1/8	56.5	39.5	8	11	Rc1/8	NPT1/8	G1/8	NPT1/8	52	50	41.4
50	10 to 50	50.5	30.5	10.5	10.5	10.5	Rc1/4	G1/4	NPT1/4	60.5	40.5	10.5	10.5	Rc1/4	NPT1/4	G1/4	NPT1/4	64	62	53.4
	75, 100	60.5	40.5	10.5	10.5	10.5	Rc1/4	G1/4	NPT1/4	60.5	40.5	10.5	10.5	Rc1/4	NPT1/4	G1/4	NPT1/4	64	62	53.4

Bore size (mm)	HA		QA		HB	IA	IB	J	KA	KB	L	M	N	OB	RA	RB	S	U	V	W	Z
	-TN,TF	NN	-TN,TF	NN																	
32	M5X0.8	10-32UNF	M6X1.0	1/4-20UNC	5	60	58.5	4.5	28	19.8	7	34	5.5	9	10	7	58.5	31.5	38	10	14
40	M5X0.8	10-32UNF	M6X1.0	1/4-20UNC	5	69	67.5	5	33	23.3	7	40	5.5	9	10	7	66	35	46	10	14
50	M6X1.0	1/4-20UNF	M8X1.25	5/16-18UNC	6	86	84.5	7	42	29.7	8	50	6.6	11	14	8	80	41	58	12	19

I

CJP

CJ1

DNC

DNCB

DNG

C95

SI

CS1

MB

SU

SC

DSNU

C85

CJ2

CM2

MA

MAL

ADVU

CQ2

CQS

SDA

CU

DPZ

CXS

TN

ADVUL

**CQM**

MGP

MGG

CRA1

CY1B

CS

Auto switch

D

Auto switch

AC,AD

HR

RB

RBQ