

Regulator

Series AR1000 to 5000

◆ How to Order

AR3000 — [] 03 BG

Accessories (Options)

Symbol	Description	Applicable model
Nil	—	—
B	Bracket	AR1000 to AR5000
G	Gauge	Without limit indicator
		With limit indicator
		AR1000
		AR2000 to AR5000

Port size

Symbol	Port size	Applicable model
M5	M5×0.8	AR1000
01	1/8	AR2000
02	1/4	AR2000 / AR3000
03	3/8	AR3000 / AR4000
04	1/2	AR4000
06	3/4	AR4000 / AR5000
10	1	AR5000

Thread

Nil	Metric thread (M5)/Rc (PT)	N	NPT	F	G
-----	----------------------------	---	-----	---	---

Model

Series	Equipment
AR1000	Regulator (AR)
AR2000	
AR3000	
AR4000	
AR5000	



AR2000

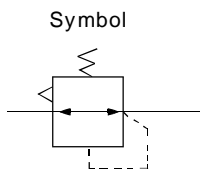


AR3000



AR5000

◆ Specifications



Model	AR1000	AR2000	AR3000	AR4000	AR4000-06	AR5000
Port size	M5×0.8	1/8 1/4	1/4 3/8	3/8 1/2	3/4	3/4 1
Fluid	Air					
Proof pressure	1.5 MPa					
Max. operating pressure	1.0 MPa					
Set pressure range	0.05-0.7MPa	0.05-0.85 MPa				
Pressure gauge port size	1/16	1/8	1/8	1/4	1/4	1/4
Ambient and fluid temperature	-5~60℃ (Non-freezing)					
Construction	Relieving style					
Weight(kg)	0.08	0.27	0.41	0.84	0.94	1.19

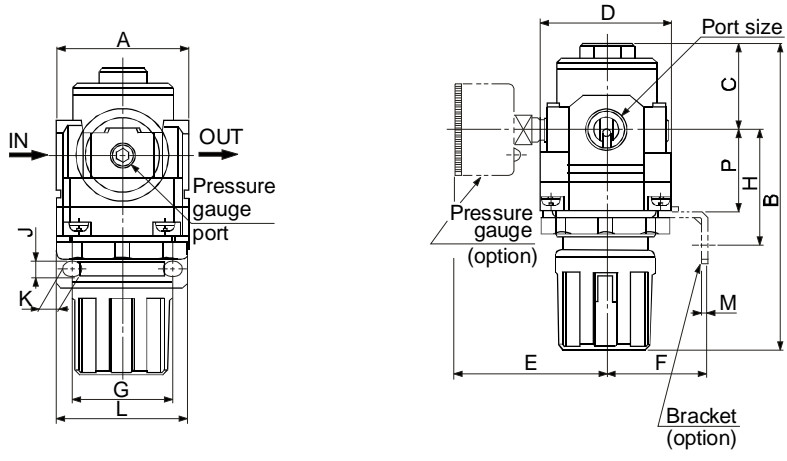
Regulator

Series AR1000 to 5000

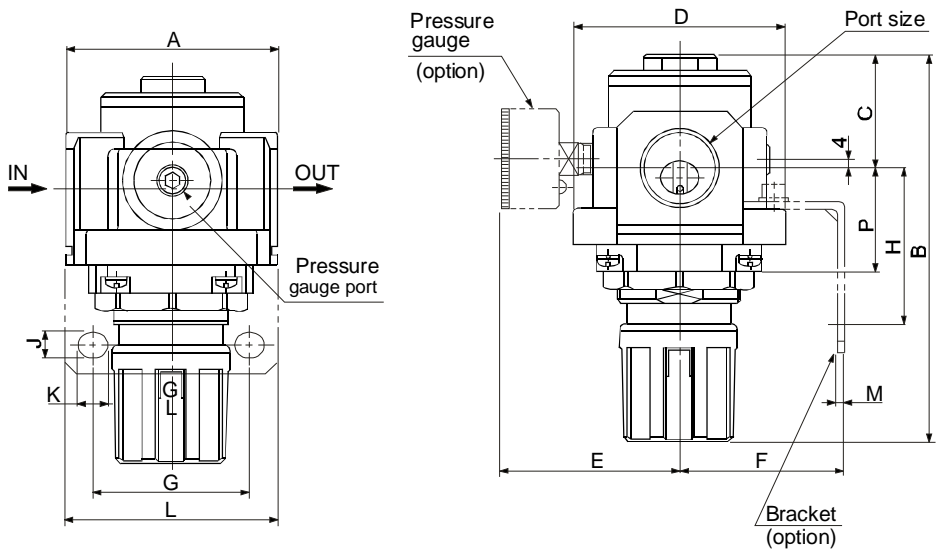
ANSSION
PNEUMATIC & HYDRAULIC

◆ Dimensions

AR1000 to AR4000



AR5000



III

- AD401,402
- AC
- AW
- AF
- AR**
- AL
- UFRL
- UFR/L
- UFR
- UF
- UR
- UL
- FRL700A
- FRL600A
- FR500A
- F200A
- NR200
- R 200
- L200A
- AAC,ABC
- AAF,ABFC
- AAFR,ABFR
- AAF,ABF
- AAR,ABR
- AAL,ABL
- SFC
- SFR
- SL

Model	Port size	A	B	C	D	E	Bracket mounting dimensions							ΦN	P
							F	G	H	J	K	L	M		
AR1000	M5×0.8	25	61.5	11	25	26	25	28	30	4.5	6.5	40	2	20.5	19
AR2000	1/8,1/4	40	95	17	40	56.8	30	34	44	5.4	15.4	55	2.3	33.5	25
AR3000	1/4,3/8	53	127.5	35	53	60.8	41	40	46	6.5	8	53	2.3	42.5	32.5
AR4000	3/8,1/2	70	149.5	37.5	70	65.5	50	54	54	8.5	10.5	70	2.3	52.5	36
AR4000-06	3/4	75	154.5	40.5	70	69.5	50	54	56	8.5	10.5	70	2.3	52.5	38
AR5000	3/4,1	90	168	48	90	75.5	70	66	65.8	11	13	90	3.2	52.5	44