

# Guide Rod Compact Cylinder

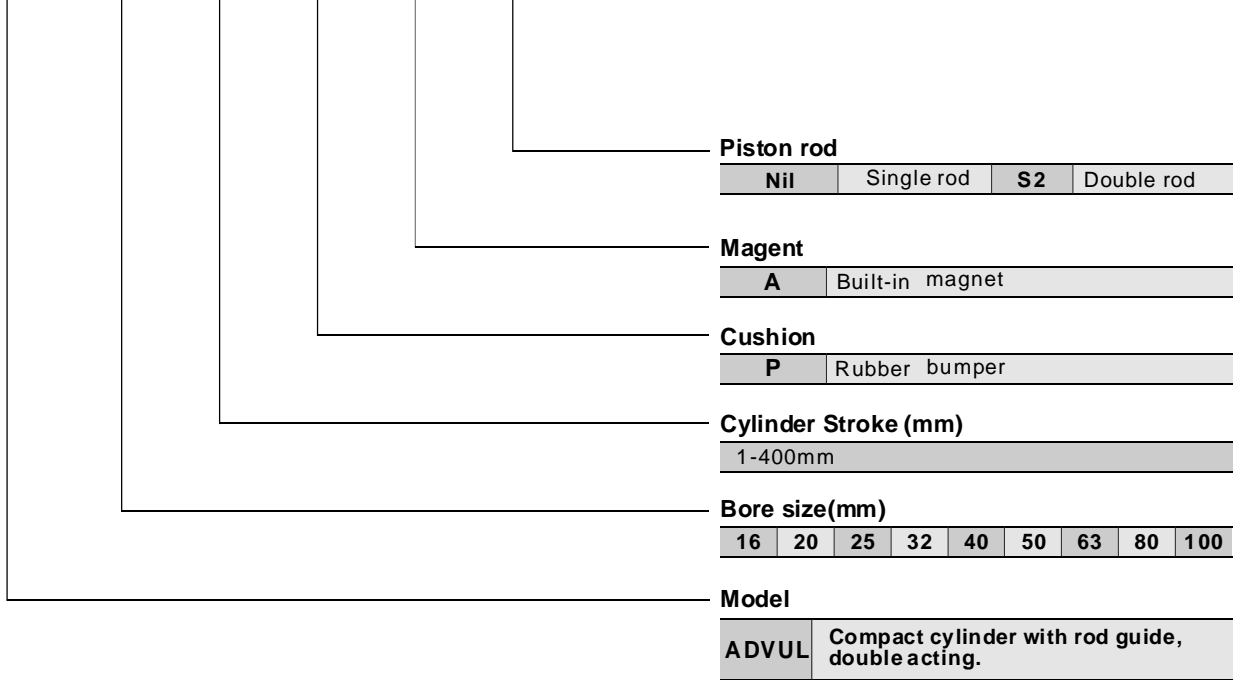
Double Acting, Single Rod / Double Rod

## Series ADVUL



### ◆ How to Order

ADVUL 50-80-P-A-S2



Symbol

ADVUL□-□-□-□-□-□-□-□-□-□-□-□

ADVUL□-□-□-□-□-□-□-□-□-□-□-□



### ◆ Specifications

Bore size (mm)	16	20	25	32	40	50	63	80	100
Action	Double acting, single rod / double rod								
Fluid	Filtered compressed air								
Proof Pressure	1.5MPa								
Operating pressure range	0.05~1.0MPa								
Ambient and fluid temperature	-20~80°C (no freezing)								
Port size	M5	M5	M5	G1/8	G1/8	G1/8	G1/8	G1/8	G1/4
Cushion	Rubber bumper								

Note): Please contact with ANSSION for the mounting accessories.

I

CJP

CJ1

DNC

DNCB

DNG

C95

SI

CS1

MB

SU

SC

DSNU

C85

CJ2

CM2

MA

MAL

ADVU

CQ2

CQS

SDA

CU

DPZ

CXS

TN

ADVUL

CQM

MGP

MGG

CRA1

CY1B

CS

Auto switch

D

Auto switch

AC,AD

HR

RB

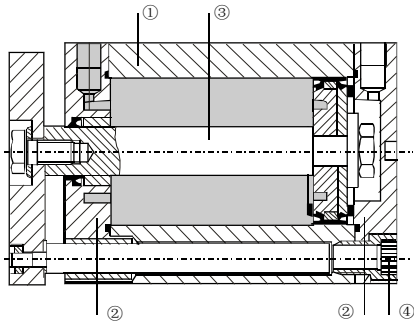
RBQ

# Guide Rod Compact Cylinder

Double Acting, Single Rod / Double Rod

## Series ADVUL

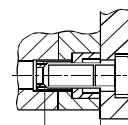
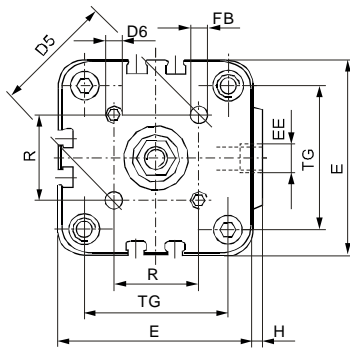
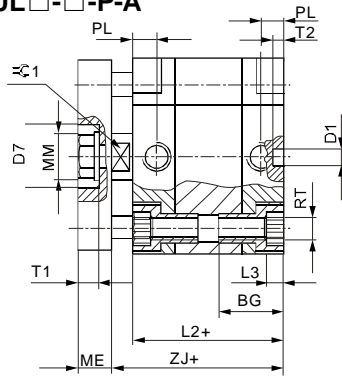
### ◆ Materials



Variant	Basic type	
1 Cylinder barrel	Wrought aluminium alloy	
2 Bearing and end cap	Wrought aluminium alloy	
3 Piston rod	φ 16...32	High-alloy stainless steel
	φ 40...100	High-alloy steel
4 Flange screws	φ 16	High-alloy stainless steel
	φ 20...100	Tempered steel
- Seals	Polyurethane, nitrile rubber	

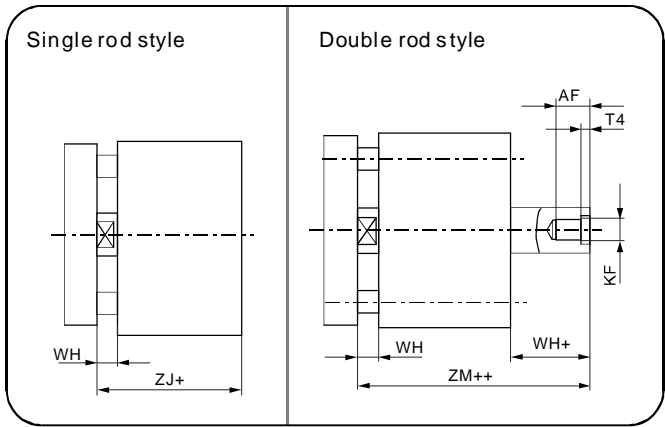
### ◆ Dimensions

ADVUL □-□-P-A



② 2 Minimum screw-in depth  
+ =plus stroke length

Bore size (mm)	BG <sup>1)</sup>	D1 φ H9	D5	D6	D7 φ H9	E	EE	FB φ H8	H	L2	L3	L4	ME	MM φ	PL	R	RT	T1 +0.2	T1 -0.2	TG	⊖ h13
16	18.5	6	14	M3	-	29	M5	3	1	38	3	16	6	8	8	9.9	M4	-	4	18	7
20	18.5	6	17	M4	-	36	M5	4	1.5	38	4	18	8	10	8	12	M5	-	4	22	9
25	18.5	6	22	M5	14	40	M5	5	1.5	39.5	4	18	8	10	8	15.6	M5	4.8	4	26	9
32	21.5	6	28	M5	17	50	G1/8	5	2	44.5	5	20	10	12	8	19.8	M6	6.1	4	32	10
40	21.5	6	33	M5	17	60	G1/8	5	2.5	45.5	5	20	10	12	8	23.3	M6	6.1	4	42	10
50	22	6	42	M6	22	68	G1/8	6	3	45.5	6	20	12	16	8	29.7	M8	7.6	4	50	13
63	24.5	8	50	M6	22	87	G1/8	6	4	50	8	25	12	16	8	35.4	M10	7.6	4	62	13
80	27.5	8	65	M8	28	107	G1/8	8	4	56	8	25	14	20	8.5	46	M10	8.7	4	82	17
100	32.5	8	80	M10	30	128	G1/4	10	5	66.5	8	25	14	25	10.5	56.6	M10	10.3	4	103	22



φ (mm)	AF	K/F	T4	WH	ZJ	ZM
16	10	M4	1.5	4.5	42.5	47
20	12	M5	2	4.5	42.5	47
25	12	M5	2	5.5	45	50.5
32	14	M6	2.6	6	50.5	56.5
40	14	M6	2.6	6.5	52	58.5
50	16	M8	3.3	7.5	53	60.5
63	16	M8	3.3	7.5	57.5	65
80	20 <sup>1)</sup>	M10	4.7	8	64	72
100	24 <sup>1)</sup>	M12	6.1	10	76.5	86.5

1) With a stroke <5 mm, the maximum screw-in depth is reduced by 5 mm.