

Compact Cylinder

Double Acting, Single Rod / Double Rod

Series ADVU



◆ How to Order



Piston rod

Nil	Single rod
S2	Double rod

Magnet

A	Built-in magnet
---	-----------------

Cushion

P	Rubber bumper
---	---------------

Piston rod thread

Nil	Female thread
A	Male thread

Cylinder Stroke(mm)

1...400mm

Bore size(mm)

16	20	25	32	40	50	63	80	100
----	----	----	----	----	----	----	----	-----

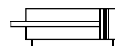
Mode

ADVU	Compact cylinder, Double-acting,
------	----------------------------------

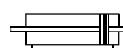


Symbol

ADVU□-□-P-A



ADVU□-□-P-A-S2



◆ Specifications

Bore size (mm)	16	20	25	32	40	50	63	80	100
Action	Double acting, single rod/double rod								
Fluid	Filtered compressed air								
Proof pressure	1.5MPa								
Operating pressure range	0.12~1.0 MPa	0.1~1.0 MPa	0.08~1.0 MPa			0.06~1.0 MPa			
Ambient and fluid temperature	-20~80℃(No freeing)								
Port size	M5			G1/8				G1/4	
Piston rod thread	Female thread	M4	M5	M6	M8	M10	M12		
	Male thread	M8	M10×1.25			M12×1.25		M16×1.5	M20×1.5
Cushion	Rubber bumper								

Note): Please contact with ANSSION for the mounting accessories.

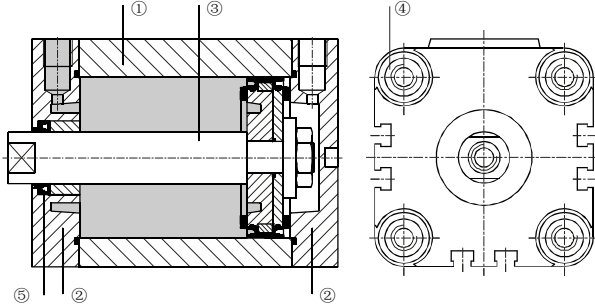
- CJP
- CJ1
- DNC
- DNCB
- DNG
- C95
- SI
- CS1
- MB
- SU
- SC
- DSNU
- C85
- CJ2
- CM2
- MA
- CQ2
- CQS
- SDA
- CU
- DPZ
- CXS
- TN
- ADVUL
- CQM
- MGP
- MGG
- CRA1
- CY1B
- CS
Auto switch
- D
Auto switch
- AC,AD
- HR
- RB
- RBQ

Compact Cylinder

Double Acting, Single Rod / Double Rod

Series ADVU

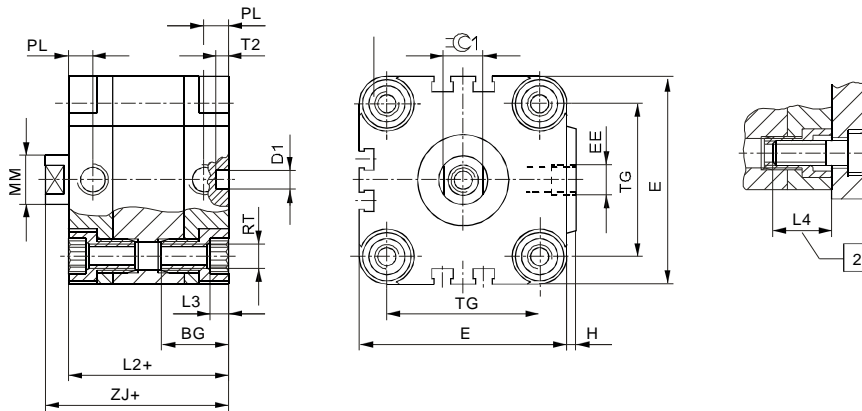
◆ **Materials**



Variants	Type
① Cylinder barrel	Wrought aluminium alloy
② End cap	Wrought aluminium alloy
③ Piston rod	ϕ 16...32 High-alloy stainless steel ϕ 40...100 High-alloy steel
④ Flange screws	ϕ 16 High-alloy stainless steel ϕ 20...100 Tempered steel
⑤ Dynamic seals	Polyurethane

◆ **Dimensions**

ADVU□-□-P-A
(Basic style)



- - Note
To attach cylinder . 12 and 16 mm from above, use only 2 screws diagonally or non-magnetic screws.

+ = plus stroke length

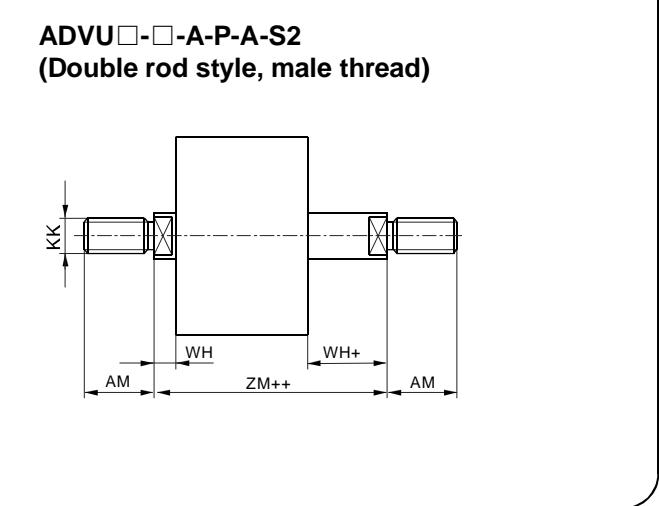
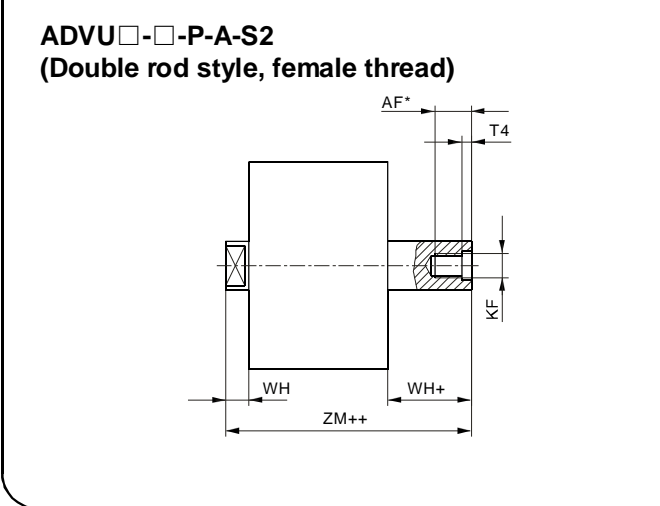
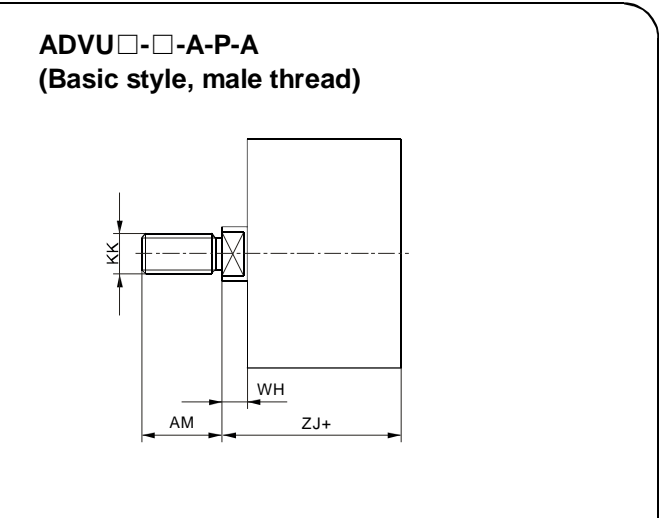
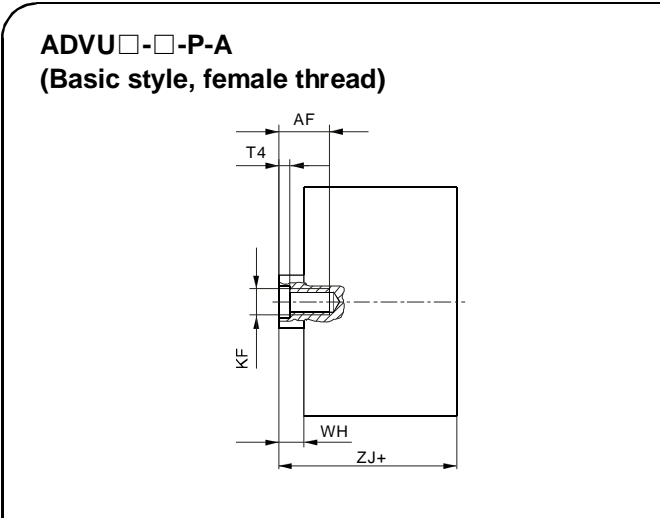
2 Minimum screw-in depth

Bore size (mm)	BG	D1 ϕ H9	E	EE	H	L2	L3	L4	MM ϕ	PL	RT	T2	TG	ZJ	C1
16	18.5	6	29	M5	1	38	3	16	8	8	M4	4	18	42.5	7
20	18.5	6	36	M5	1.5	38	4	18	10	8	M5	4	22	42.5	9
25	18.5	6	40	M5	1.5	39.5	4	18	10	8	M5	4	26	45	9
32	21.5	6	50	G1/8	2	44.5	5	20	12	8	M6	4	32	50.5	10
40	21.5	6	60	G1/8	2.5	45.5	5	20	12	8	M6	4	42	52	10
50	22	6	68	G1/8	3	45.5	6	20	16	8	M8	4	50	53	13
63	24.5	8	87	G1/8	4	50	8	25	16	8	M10	4	62	57.5	13
80	27.5	8	107	G1/8	4	56	8	25	20	8.5	M10	4	82	64	17
100	32.5	8	128	G1/4	5	66.5	8	25	35	10.5	M10	4	103	76.5	22

Compact Cylinder

Double Acting, Single Rod / Double Rod

Series ADVU



Bore size (mm)	AF	AM	KF	KK	T4	WH	ZJ	ZM
16	10	20	M4	M8	1.5	4.5	42.5	47
20	12	22	M5	M10×1.25	2	4.5	42.5	47
25	12	22	M5	M10×1.25	2	5.5	45	50.5
32	14	22	M6	M10×1.25	2.6	6	50.5	56.5
40	14	22	M6	M10×1.25	2.6	6.5	52	58.5
50	16	24	M8	M12×1.25	3.3	7.5	53	60.5
63	16	24	M8	M12×1.25	3.3	7.5	57.5	65
80	20	32	M10	M16×1.5	4.7	8	64	72
100	24	40	M12	M20×1.5	6.1	10	76.5	86.5

- I
- CJP
- CJ1
- DNC
- DNCB
- DNG
- C95
- SI
- CS1
- MB
- SU
- SC
- DSNU
- C85
- CJ2
- CM2
- MA
- MAL
- ADVU**
- CQ2
- CQS
- SDA
- CU
- DPZ
- CXS
- TN
- ADVUL
- CQM
- MGP
- MGG
- CRA1
- CY1B
- CS
Auto switch
- D
Auto switch
- AC,AD
- HR
- RB
- RBQ