

# Air Filter + Regulator

2 Units Air Combination

## Series AC1020 to 5020

### ◆ How to Order

AC3020 — [ ] 03 DG

#### Accessories (Options)

Symbol	Description	Applicable model
C	Auto drain	Float style (N.C.): AC2000 to AC5000
D	Auto drain	Pressure differential style: AC1000, AC2000 Float style (N.O.): AC2000 to AC5000
G	Pressure gauge	Without limit indicator: AC1000
		With limit indicator: AC2000 to AC5000

#### Port size

Symbol	Port size	Applicable model
M5	M5×0.8	AC1020
01	1/8	AC2020
02	1/4	AC2020 / AC3020
03	3/8	AC3020 / AC4020
04	1/2	AC4020
06	3/4	AC4020 / AC5020
10	1	AC5020

#### Thread

Nil	Metric thread (M5)/Rc (PT)	N	NPT	F	G

#### Model: 2 units air combination

Series	Combination of equipment
AC1020	Air filter + Regulator (AF) (AR)
AC2020	
AC3020	
AC4020	
AC5020	

### ◆ Specifications

Model		AC1020	AC2020	AC3020	AC4020	AC4020-06	AC5020
Combination equipment	Air filter	AF1000	AF2000	AF3000	AF4000	AF4000-06	AF5000
	Regulator	AR1000	AR2000	AR3000	AR4000	AF4000-06	AR5000
Port size		M5×0.8	1/8 1/4	1/4 3/8	3/8 1/2	3/4	3/4 1
Gauge port size (Rc(PT))		1/16	1/8	1/8	1/4	1/4	1/4
Fluid		Air					
Proof pressure		1.5MPa					
Max. operating pressure		1.0MPa					
Set pressure range		0.05~0.7 MPa	0.05~0.85 MPa				
Flow(ℓ/min(ANR))(Port size) <sup>(1)</sup>		100(M5×0.8)	500(1/4)	2000(3/8)	4000(1/2)	5000(3/4)	6000(3/4)
Ambient and fluid temperature		-5~60 °C(Non-freezing)					
Filtration		5 μm					
Bowl material		Polycarbonate					
Construction/Regulator		Relieving style					
Weight (kg)		0.21	0.54	0.82	1.61	1.71	2.52
Accessory (Standard equipment)	Bowl guard	—	—	●	●	●	●
	Bracket <sup>(2)</sup>	B110T	B210T	B310T	B410T	B510T	B610T

Note 1): Conditions: Supply pressure 0.7MPa, Set pressure 0.5MPa

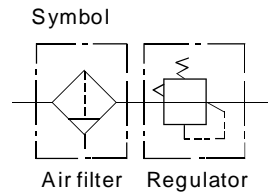
Note 2): Set of 3 or more than 3 pieces: L type bracket

# Air Filter + Regulator

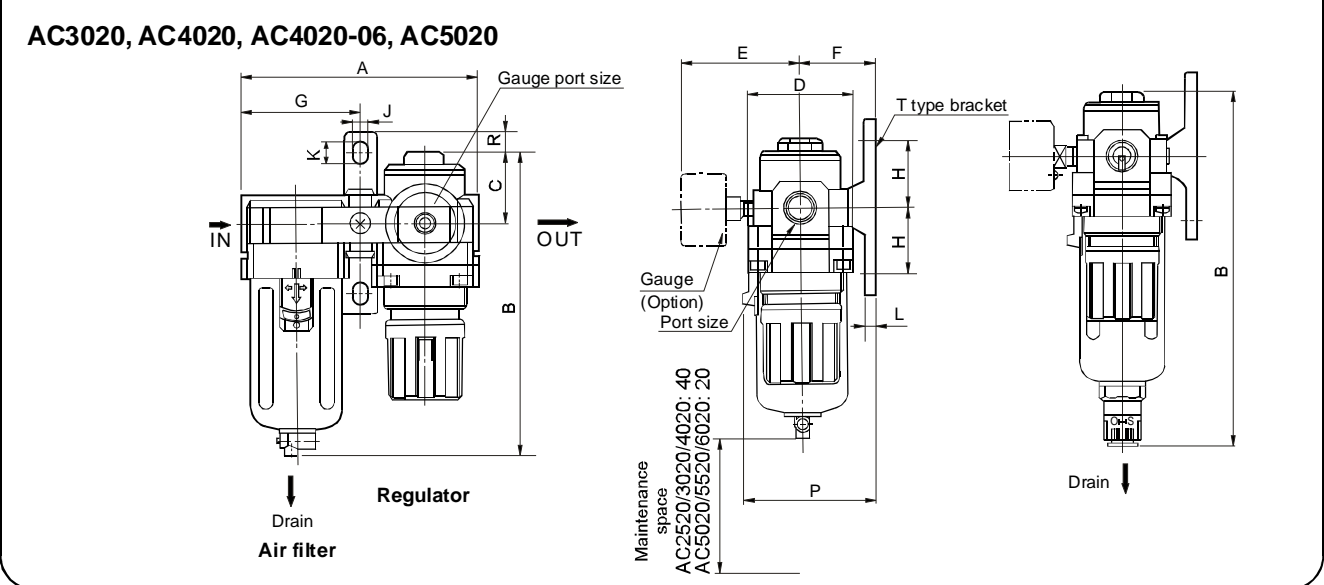
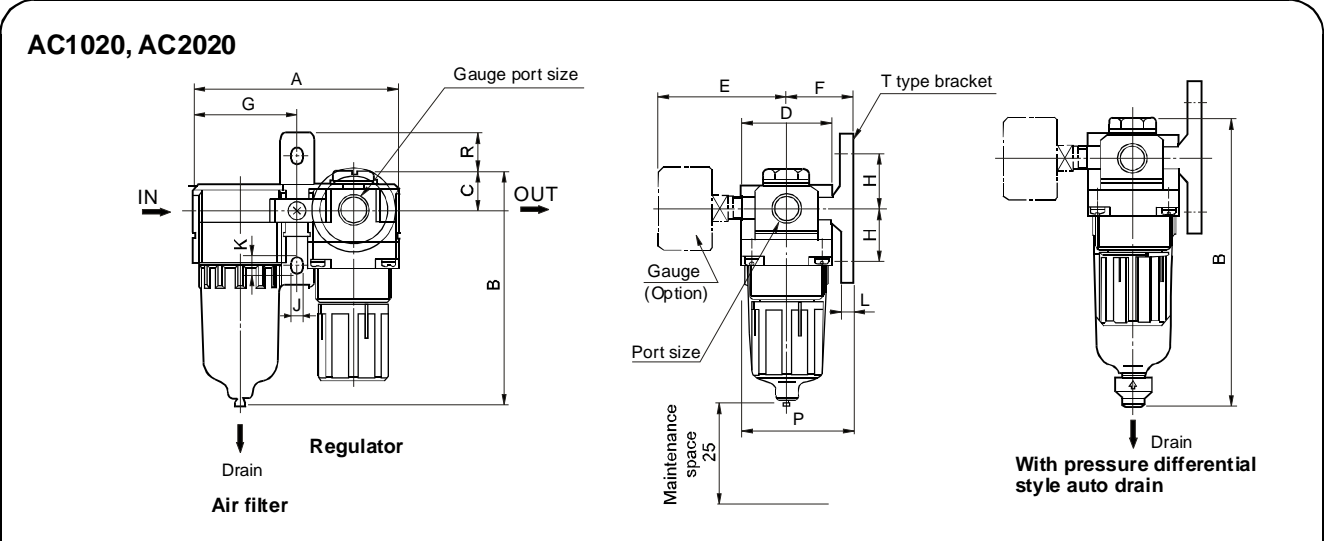
## 2 Units Air Combination

# Series AC1020 to 5020

**ANSSION**  
PNEUMATIC & HYDRAULIC



◆ **Dimensions**



Model	Port size	A	B	C	D	E	Bracket mounting size						P	R	With auto drain	
							F	G	H	J	K	L			Float	Press.Diff.
														B	B	
<b>AC1020</b>	M5×0.8	58	70	11	25	26	25	29	20	4.5	7.5	5	38.5	16	—	90.5
<b>AC2020</b>	1/8, 1/4	90	103.5	17	40	56.8	30	45	24	5.5	8.5	5	50	16	—	126.5
<b>AC3020</b>	1/4, 3/8	117	150	35	53	60.8	41	58.5	35	7	11	7	70.5	10	191	—
<b>AC4020</b>	3/8, 1/2	154	184.5	37.5	70	65.5	50	77	40	9	13	7	88	12.5	225.5	—
<b>AC4020-06</b>	3/4	164	189.5	40.5	70	69.5	50	82	40	9	13	7	88	9.5	230.5	—
<b>AC5020</b>	3/4, 1	195	268	48	90	75.5	70	97.5	50	12	16	10	115	14.5	309.5	—

**III**

- AD401,402
- AC**
- AW
- AF
- AR
- AL
- UFRL
- UFR/L
- UFR
- UF
- UR
- UL
- FRL700A
- FRL600A
- FR500A
- F200A
- NR200
- R 200
- L200A
- AAC,ABC
- AAFC,ABFC
- AAFR,ABFR
- AAF,ABF
- AAR,ABR
- AAL,ABL
- SFC
- SFR
- SL