

Air Filter / Regulator Series AAFR, ABFR



AAFR



ABFR

◆ How to Order

ABFR 3000 - D

Drain type

Nil	Semi-auto Drain
M	Manual Drain
A	Auto Drain

* "A" Only for AB Series.

Port size

2000	G1/4	3000	G3/8	4000	G1/2
------	------	------	------	------	------

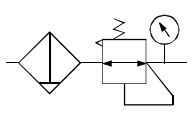
Air Filter / Regulator

AAFR	AA Series	ABFR	AB Series
------	-----------	------	-----------

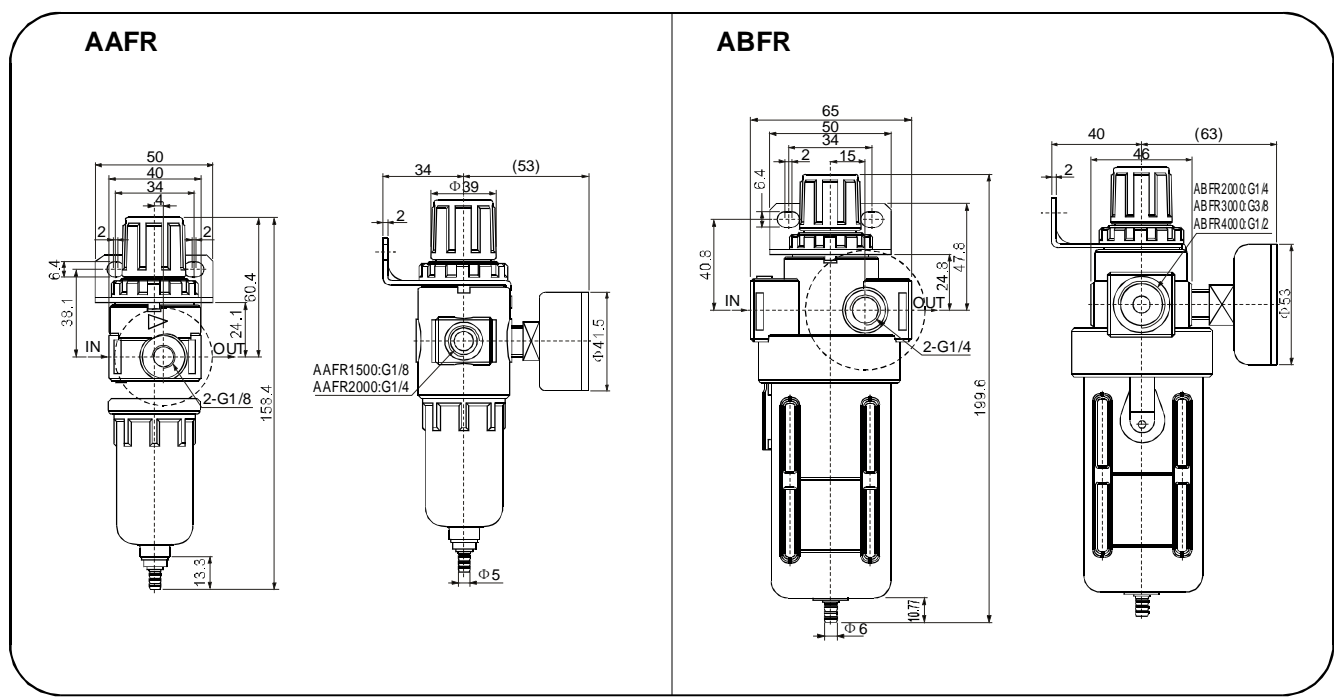
◆ Specifications

Model	AAFR2000	ABFR2000	ABFR3000	ABFR4000
Fluid	Air			
Port size	G1/4	G1/4	G3/8	G1/2
Set pressure range	0.05~0.85 MPa			
Max.operating pressure	0.95 MPa			
Proof pressure	1.5 MPa			
Ambient and fluid temperature	5~60 °C			
Filter bowl capacity	15 cc	60 cc		
Weight	0.26 Kg	0.4 Kg		

Symbol



◆ Dimensions



III
AD401,402
AC
AW
AF
AR
AL
UFRL
UFR/L
UFR
UF
UR
UL
FRL700A
FRL600A
FR500A
F200A
NR200
R 200
L200A
AAC,ABC
AAFC,ABFC
AAFR,ABFR
AAF,ABF
AAR,ABR
AAL,ABL
SFC
SFR
SL