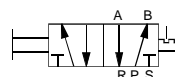


# 5 Port Push-pull Valve Series 4L

**ANSSION**  
PNEUMATIC & HYDRAULIC



Symbol



### ◆ Specifications

Item/Type	4L110-06	4L210-06	4L210-08	4L310-08	4L310-10
Fluid	Air				
Type of actuation	5 port 2 position				
Port size	In=Out=1/8		In=Out=1/4		In=Out=3/8
Orifice size	12mm <sup>2</sup> (Cv=0.67)	14mm <sup>2</sup> (Cv=0.78)	16mm <sup>2</sup> (Cv=0.89)	25mm <sup>2</sup> (Cv=1.39)	30mm <sup>2</sup> (Cv=1.67)
Operating pressure range	0~0.8 MPa				
Proof pressure	1.2 MPa				
Ambient and fluid temperature	-5~60°C (No freezing)				

### ◆ How to Order

4L 1 10 - 06

Port size	06	1/8	08	1/4	10	3/8
Type of actuation	10	5 port 2 position				
Series	1	100 series	2	200 series	3	300 series
Model	4L	5 port 2 position push-pull valve				

II

VF

SY

SYJ

4V100

4V200

4V300

4V400

VT307

VP

3V

2W

2WH

2L

2V

2P

VFA

SYA

4A100

4A200

4A300

3A100

3A200

3A300

3L

4L

4H

SL,SH

4HV

HV,K

3FM

3F

4F

FV

MSV

MOV

JM

TAC

HSV

RE

ASC

KA

ACV

KS

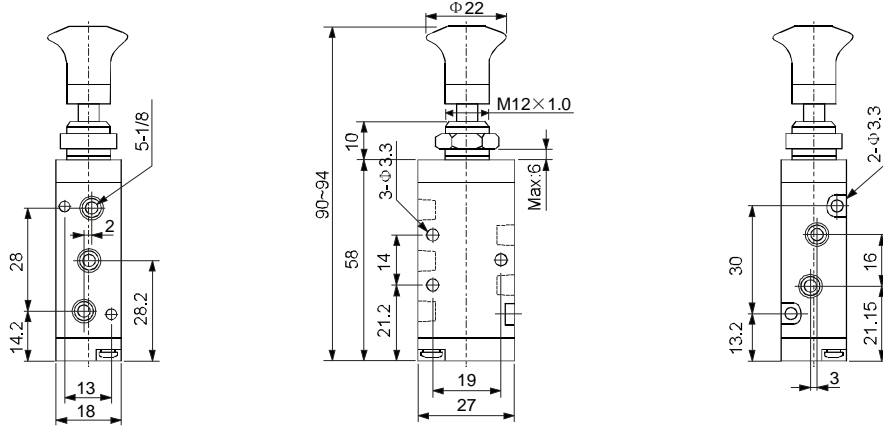
QE

Manifold

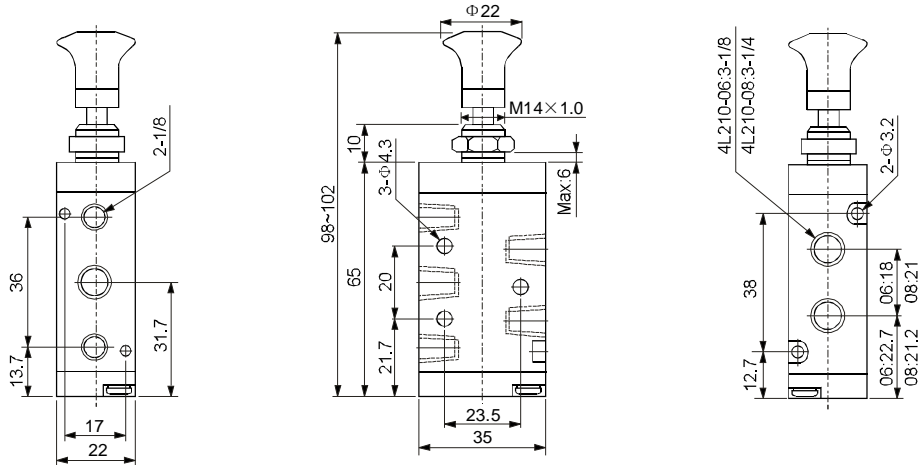
# 5 Port Push-pull Valve Series 4L

◆ Dimensions

**4L110**



**4L210**



**4L310**

