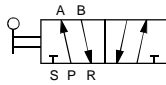


5 Port Hand Lever Valve Series 4H

ANSSION
PNEUMATIC & HYDRAULIC



Symbol



◆ How to Order

4H 2 10 - 06

Port size

06	1/8	08	1/4	10	3/8
----	-----	----	-----	----	-----

Type of actuation

10	5 port 2 position
----	-------------------

Series

2	200 series	3	300 series
---	------------	---	------------

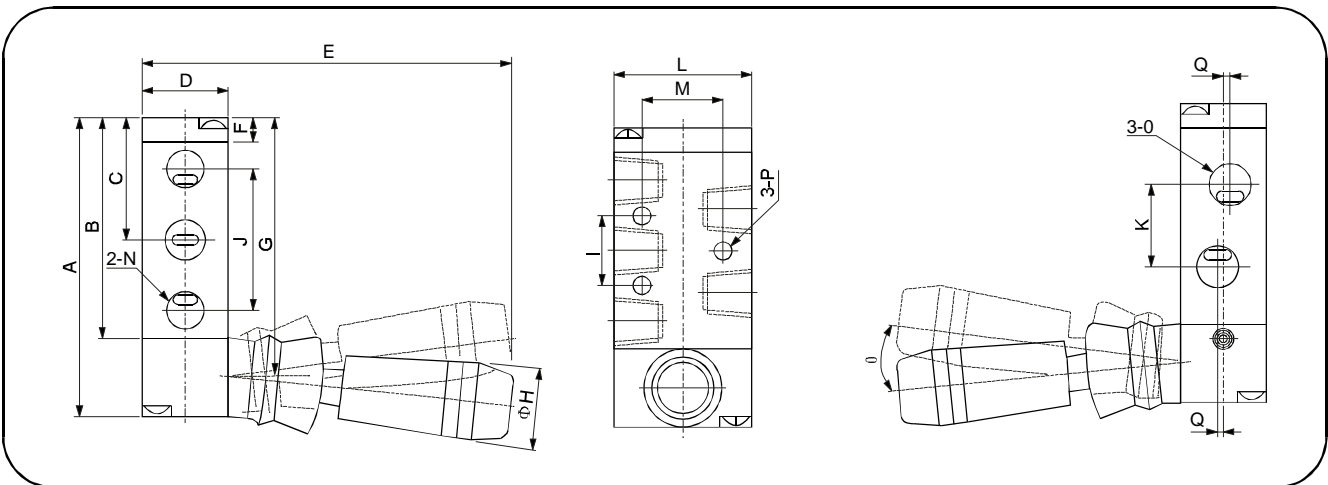
Model

4H	5 port 2 position Hand lever valve
----	------------------------------------

◆ Specifications

Item/Type	4H210-06	4H210-08	4H310-08	4H310-10
Fluid	Air			
Type of actuation	5 port 2 position			
Orifice size	14mm ² (Cv=0.78)	16mm ² (Cv=0.89)	25mm ² (Cv=1.39)	30mm ² (Cv=1.67)
Port size	In=Out=Exhaust=1/8	In=Out=1/4 Exhaust=1/8	In=Out=Exhaust=1/4	In=Out=3/8 Exhaust=1/4
Operating pressure range	0~0.8 MPa			
Ambient and fluid temperature	-5~60°C(No freezing)			
Lubrication	Not required			
Operating angle	± 15°			

◆ Dimensions



Item/Type	A	B	C	D	E	F	G	H	I	J	K	L	M	N	O	P	Q	θ
4H210-06	76.7	56.5	31.5	22	95	6.5	66.5	Φ19	20	36	18	35	23.5	1/8	1/8	Φ 4.3	-	15.8
4L210-08	76.7	56.5	31.5	22	95	6.4	66.5	Φ19	20	36	21	35	23.5	1/8	1/4	Φ 4.3	1.5	15.8
4L310-08	92.5	72.5	40	27	100	7.5	66.5	Φ19	24	45	22	40	27.5	1/4	1/4	Φ 4.3	-	17.5
4H310-10	92.5	72.5	40	27	100	7.5	66.5	Φ19	24	45	24	40	27.5	1/4	3/8	Φ 4.3	2	17.5

II

VF

SY

SYJ

4V10

4V20

4V30

4V40

VT30

VP

3V

2W

2WH

2L

2V

2P

VFA

SYA

4A10

4A20

4A30

3A10

3A20

3A30

3L

4L

4H

SL,SI

4HV

HV,K

3FM

3F

4F

FV

MSV

MOV

JM

TAC

HSV

RE

ASC

KA

ACV

KS

QE

Manifold