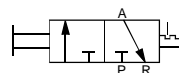


3 Port Push-pull Valve Series 3L



Symbol



◆ Specifications

Item/Type	3L110-06	3L210-06	3L210-08	3L310-08	3L310-10
Fluid	Air				
Type of actuation	3 port 2 position(Normally closed)				
Port size	In=Out=1/8		In=Out=1/4		In=Out=3/8
Orifice size	12mm ² (Cv=0.67)	14mm ² (Cv=0.78)	16mm ² (Cv=0.89)	25mm ² (Cv=1.39)	30mm ² (Cv=1.67)
Operating pressure range	0~0.8 MPa				
Proof pressure	1.2 MPa				
Ambient and fluid temperature	-5~60°C (No freezing)				

◆ How to Order

3L **1** **10** - **06**

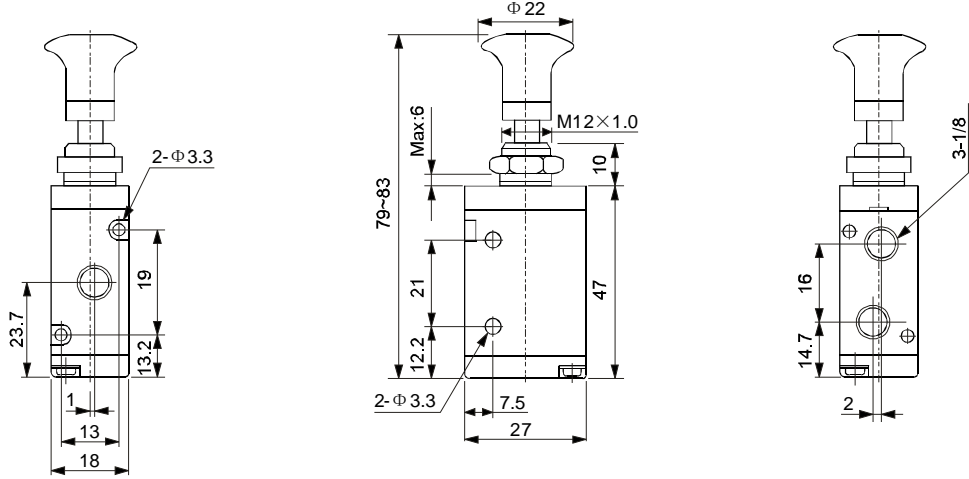
<div style="display: flex; flex-direction: column; align-items: center;"> <div style="margin-bottom: 20px;"> 3L </div> <div style="margin-bottom: 20px;"> 1 </div> <div style="margin-bottom: 20px;"> 10 </div> <div style="margin-bottom: 20px;"> - </div> <div style="margin-bottom: 20px;"> 06 </div> </div>	Port size	<table border="1"> <tr> <td style="width: 20px;">06</td> <td style="width: 20px;">1/8</td> <td style="width: 20px;">08</td> <td style="width: 20px;">1/4</td> <td style="width: 20px;">10</td> <td style="width: 20px;">3/8</td> </tr> </table>	06	1/8	08	1/4	10	3/8
	06	1/8	08	1/4	10	3/8		
	Type of actuation	<table border="1"> <tr> <td style="width: 20px;">10</td> <td>3 port 2 position</td> </tr> </table>	10	3 port 2 position				
	10	3 port 2 position						
Series	<table border="1"> <tr> <td style="width: 20px;">1</td> <td>100 series</td> <td style="width: 20px;">2</td> <td>200 series</td> <td style="width: 20px;">3</td> <td>300 series</td> </tr> </table>	1	100 series	2	200 series	3	300 series	
1	100 series	2	200 series	3	300 series			
Model	<table border="1"> <tr> <td style="width: 20px;">3L</td> <td>3 port 2 position push-pull valve</td> </tr> </table>	3L	3 port 2 position push-pull valve					
3L	3 port 2 position push-pull valve							

- II
- VF
- SY
- SYJ
- 4V100
- 4V200
- 4V300
- 4V400
- VT307
- VP
- 3V
- 2W
- 2WH
- 2L
- 2V
- 2P
- VFA
- SYA
- 4A100
- 4A200
- 4A300
- 3A100
- 3A200
- 3A300**
- 3L**
- 4L
- 4H
- SL,SH
- 4HV
- HV,K
- 3FM
- 3F
- 4F
- FV
- MSV
- MOV
- JM
- TAC
- HSV
- RE
- ASC
- KA
- ACV
- KS
- QE
- Manifold

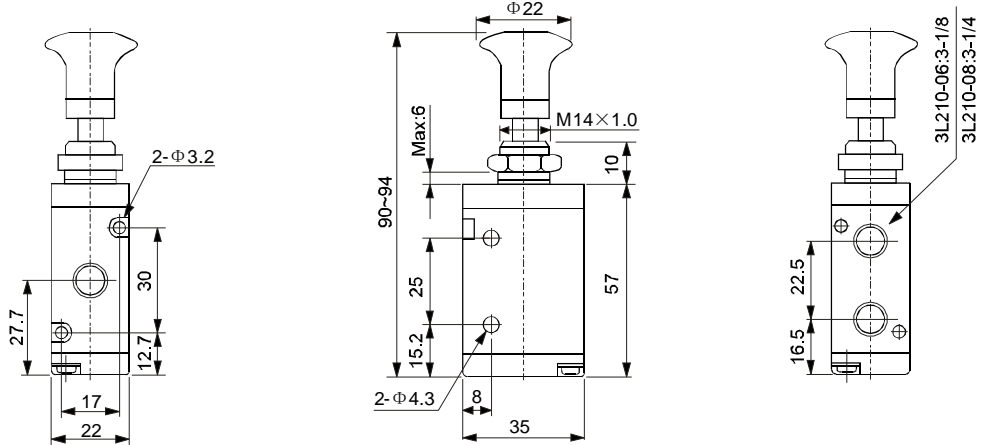
3 Port Push-pull Valve Series 3L

◆ Dimensions

3L110



3L210



3L310

