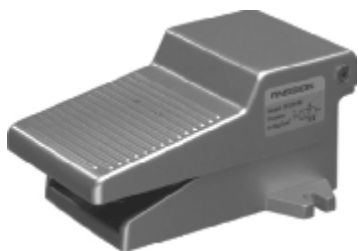


3 Port Foot Pedal Valve Series 3F



◆ How to Order

3F210 - **08** **L** - **NC**



Type of actuation

Nil	Normal open(standard)
NC	Normal closed

Code

Nil	Standard type	L	With lock
------------	---------------	----------	-----------

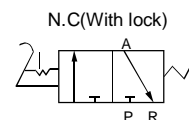
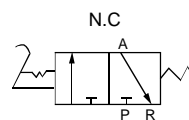
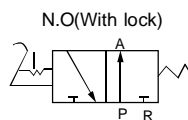
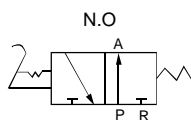
Port size

06	1/8	08	1/4
-----------	-----	-----------	-----

Model

3F210	Foot pedal valve 3 port 2 position
--------------	------------------------------------

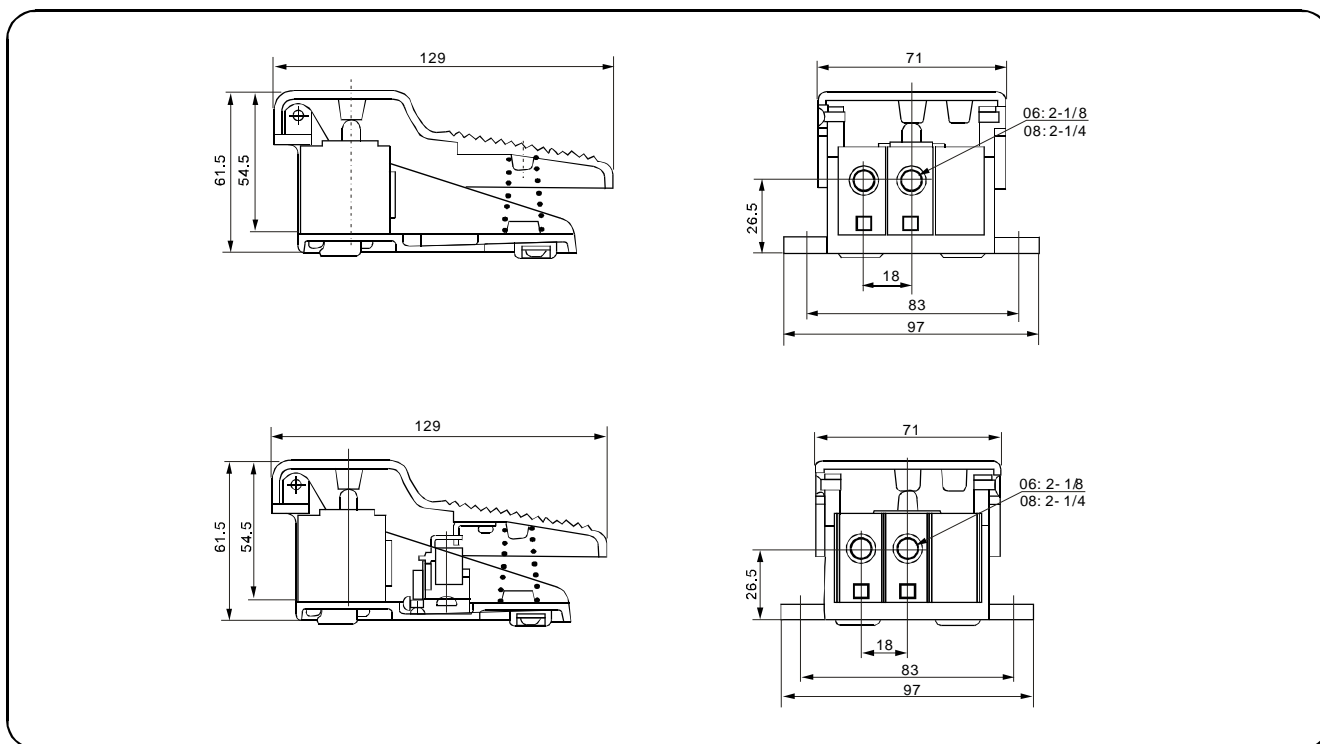
Symbol



◆ Specifications

Model	3F210-06 3F210-06L	3F210-06-NC 3F210-06L-NC	3F210-08 3F210-08L	3F210-08-NC 3F210-08L-NC
Fluid	Air			
Type of actuation	3 port 2 position			
Action	Direct			
Port size	In=Out=1/8		In=Out=1/4	
Operating pressure range	0~0.8 MPa			
Ambient and fluid temperature	-5~60℃(No freezing)			
Lubrication	No required			

◆ Dimensions



II

- VF
- SY
- SYJ
- 4V100
- 4V200
- 4V300
- 4V400
- VT307
- VP
- 3V
- 2W
- 2WH
- 2L
- 2V
- 2P
- VFA
- SYA
- 4A100
- 4A200
- 4A300
- 3A100
- 3A200
- 3A300
- 3L
- 4L
- 4H
- SL,SH
- 4HV
- HV,K
- 3FM**
- 3F
- 4F
- FV
- MSV
- MOV
- JM
- TAC
- HSV
- RE
- ASC
- KA
- ACV
- KS
- QE
- Manifold