



# 3 Port Air Operated Valve

Body Ported

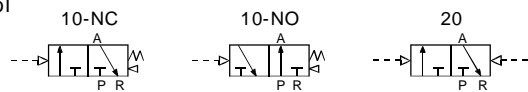
## Series 3A300



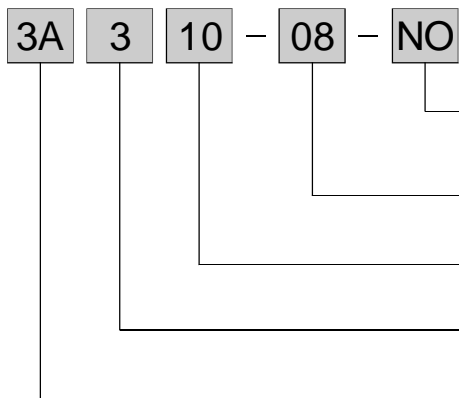
### ◆ Specifications

Model	3A310-08	3A320-08	3A310-10	3A320-10
Fluid	Air			
Action	Exterior control			
Port size	In=Out=1/4		In=Out=3/8	
Type of actuation	3 port 2 position			
Ambient and fluid temperature	-5~60℃(No freezing)			
Orifice size	25mm <sup>2</sup> (Cv=1.39)		30mm <sup>2</sup> (Cv=1.67)	
Lubrication	Not required			
Operating pressure range	0.15~0.8 MPa			
Proof pressure	1.2 MPa			
Material of body	Aluminum alloy			
Max.operating frequency	5 Hz			

Symbol



### ◆ How to Order



#### Action

NO	Normally open*	NC	Normally close
----	----------------	----	----------------

\* NO (Normally open) only for single acting type.

#### Port size

08	1/4	10	3/8
----	-----	----	-----

#### Type of actuation

10	Single acting	20	Double acting
----	---------------	----	---------------

#### Series

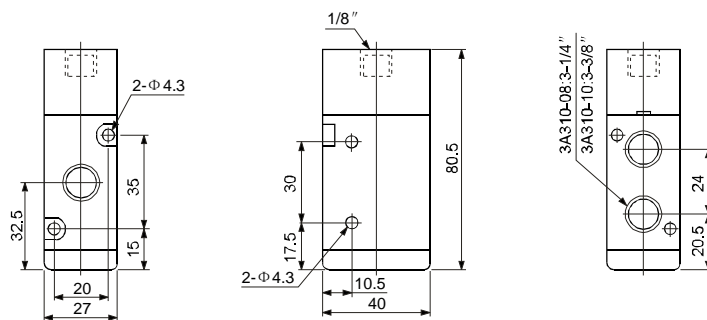
3	300 Series
---	------------

#### Model

3A	3 port 2 position air valve
----	-----------------------------

### ◆ Dimensions

#### 3A310



#### 3A320

