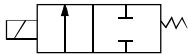


## 2 Port Solenoid Valve

# Series 2WH (High pressure type)



Symbol



### ◆ Specifications

Model	2WH012-06	2WH012-08	2WH020-10
Fluid	Air, Water, Oil		
Action	Direct acting, normally closed		
Type of actuation	2 port 2 position		
Orifice size	1.2mm		2mm
Cv	0.05		0.15
Port size	1/8	1/4	3/8
Viscosity limit	Under 20CST		
Operating pressure range	Air, Water, Oil: 0~2.0 MPa		
Proof pressure	3.5 MPa		
Ambient and fluid temperature	-5~80°C (No freezing)		
Allowable voltage range	± 10% of rated voltage		
Material of body	Brass		
Seal material	XNBR		

### ◆ How to Order

2WH 012 - 06 - AC110V

#### Rated voltage

DC12V		DC24V		AC24V	50/60Hz
AC110V	50/60Hz	AC220V	50/60Hz	AC380V	50/60Hz

#### Port size

06	1/8	08	1/4	10	3/8
----	-----	----	-----	----	-----

#### Orifice size

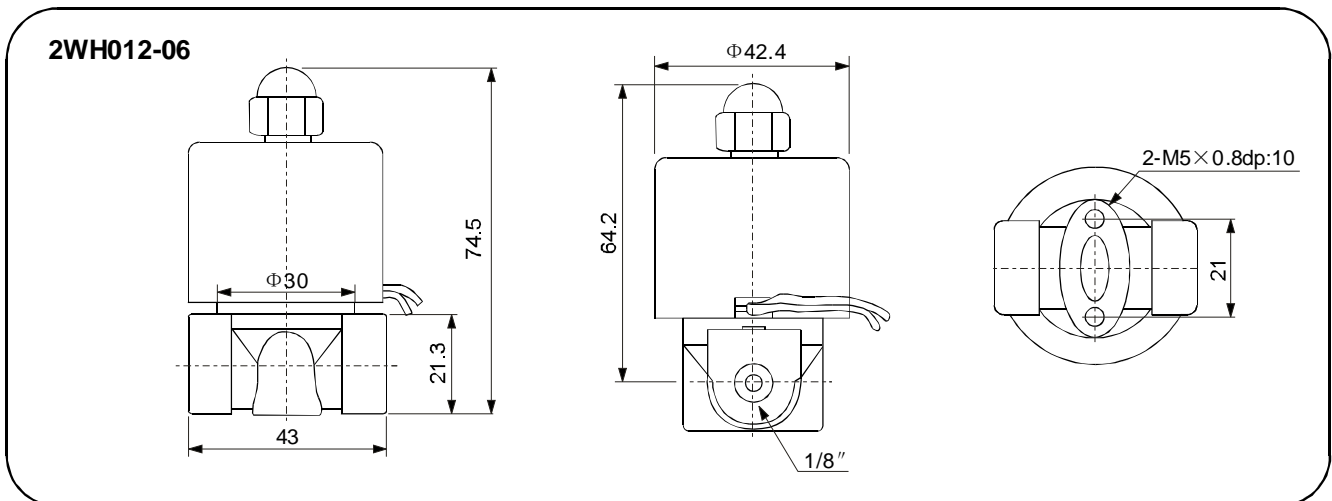
012	1.2mm	020	2.0mm
-----	-------	-----	-------

#### Model

2WH	2 port 2 position solenoid valve (high pressure type)
-----	---

※ Note): Please consult us for other voltage and port size.

### ◆ Dimensions



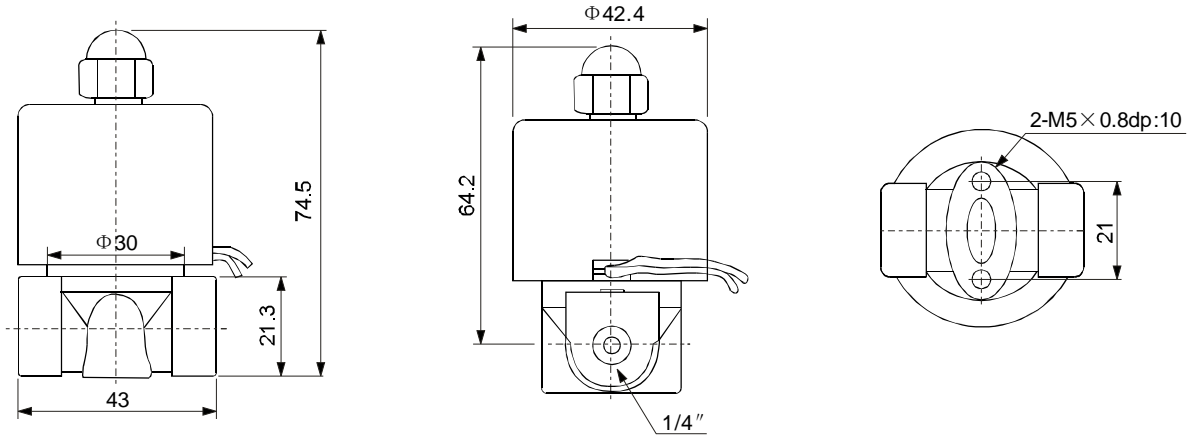
# 2 Port Solenoid Valve

## Series 2WH (High pressure type)

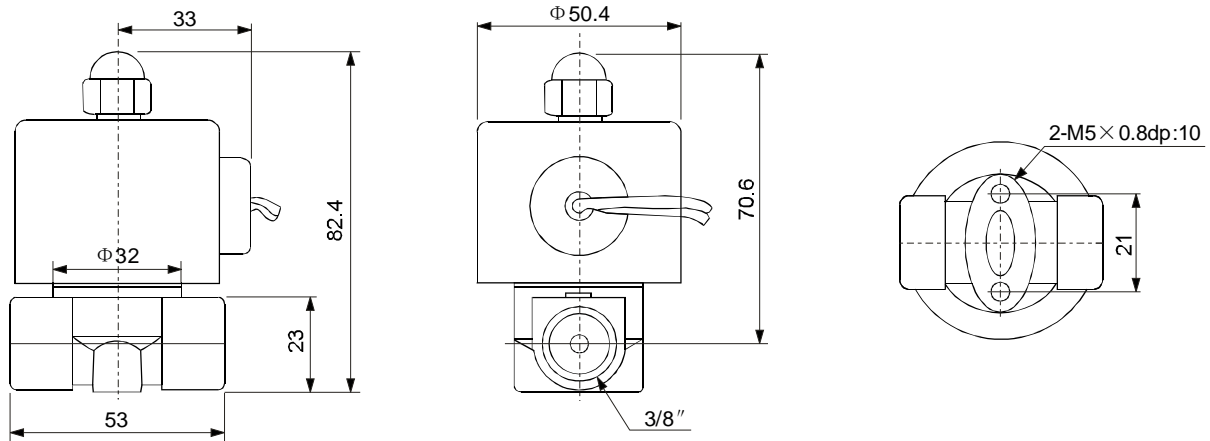
**ANSSION**  
PNEUMATIC & HYDRAULIC

◆ Dimensions

2WH012-08



2WH020-10



II
VF
SY
SYJ
4V100
4V200
4V300
4V400
VT307
VP
3V
2W
<b>2WH</b>
2L
2V
2P
VFA
SYA
4A100
4A200
4A300
3A100
3A200
3A300
3L
4L
4H
SL,SH
4HV
HV,K
3FM
3F
4F
FV
MSV
MOV
JM
TAC
HSV
RE
ASC
KA
ACV
KS
QE
Manifold