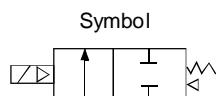


# 2 Port Solenoid Valve

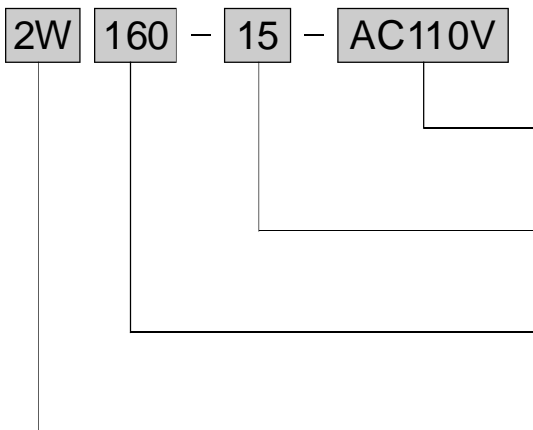
## Series 2W (Large port type)



### ◆ Specifications

Model	2W160-10	2W160-15	2W200-20	2W250-25	2W350-35	2W400-40	2W500-50
Fluid	Air, Water, Oil						
Action	Pilot diaphragm drive, normally closed						
Type of actuation	2 port 2 position						
Orifice size	16mm		20mm	25mm	35mm	40mm	50mm
Cv	4.8		7.6	12	24	29	48
Port size	3/8	1/2	3/4	1	1-1/4	1-1/2	2
Viscosity limit	Under 20CST						
Operating pressure range	Air:0~0.7 MPa, Water: 0~0.5 MPa, Oil: 0~0.5 MPa						
Proof pressure	1.05 MPa						
Ambient and fluid temperature	-5~80℃(No freezing)						
Allowable voltage range	± 10% of rated voltage						
Material of body	Brass						
Seal material	XNBR						

### ◆ How to Order



#### Rated voltage

DC12V		DC24V		AC24V	50/60Hz
AC110V	50/60Hz	AC220V	50/60Hz	AC380V	50/60Hz

#### Port size

10	3/8	15	1/2	20	3/4	25	1
35	1-1/4	40	1-1/2	50	2		

#### Orifice size

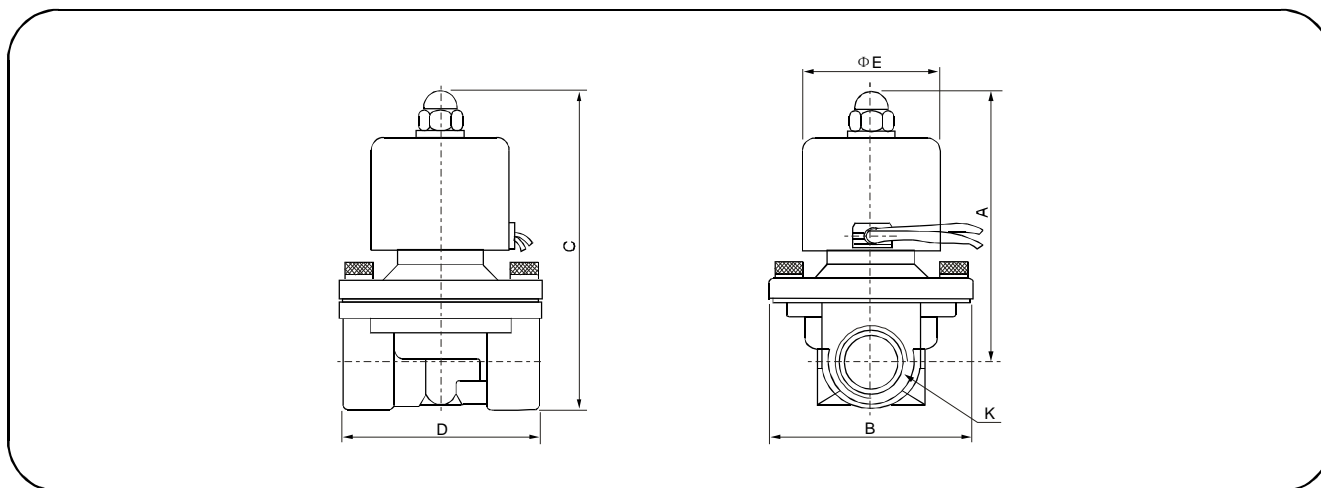
160	16mm	200	20mm	250	25mm
350	35mm	400	40mm	500	50mm

#### Model

2W	2 port 2 position solenoid valve (large port type)
----	--

※ Note): Please consult us for other voltage and port size.

### ◆ Dimensions



Type	A	B	C	D	E	K
2W160-10	93	57	106.5	69	50.4	3/8
2W160-15	93	57	106.5	69	50.4	1/2
2W200-20	100	57	115.5	80	50.4	3/4
2W250-25	105	73.4	126	99	50.4	1
2W350-35	142	95	172	123	70.2	1-1/4
2W400-40	142	95	172	123	70.2	1-1/2
2W500-50	172	123	209	168	70.2	2

- II
- VF
- SY
- SYJ
- 4V100
- 4V200
- 4V300
- 4V400
- VT307
- VP
- 3V
- 2W**
- 2WH
- 2L
- 2V
- 2P
- VFA
- SYA
- 4A100
- 4A200
- 4A300
- 3A100
- 3A200
- 3A300
- 3L
- 4L
- 4H
- SL,SH
- 4HV
- HV,K
- 3FM
- 3F
- 4F
- FV
- MSV
- MOV
- JM
- TAC
- HSV
- RE
- ASC
- KA
- ACV
- KS
- QE
- Manifold