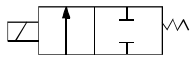


# 2 Port Solenoid Valve Series 2W



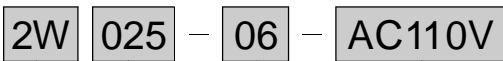
Symbol



### ◆ Specifications

Model	2W025-06	2W025-08	2W040-10
Fluid	Air, Water, Oil		
Action	Direct acting, normally closed		
Type of actuation	2 port 2 position		
Orifice size	2.5mm		4mm
Cv	0.23		0.60
Port size	1/8	1/4	3/8
Viscosity limit	Under 20CST		
Operating pressure range	Air, Water, Oil: 0~0.7 MPa		
Proof pressure	1.08 MPa		
Ambient and fluid temperature	-5~80℃ (No freezing)		
Allowable voltage range	± 10% of rated voltage		
Material of body	Brass		
Seal material	XNBR		

### ◆ How to Order



#### Rated voltage

DC12V		DC24V		AC24V	50/60Hz
AC110V	50/60Hz	AC220V	50/60Hz	AC380V	50/60Hz

#### Port size

06	1/8	08	1/4	10	3/8
----	-----	----	-----	----	-----

#### Orifice size

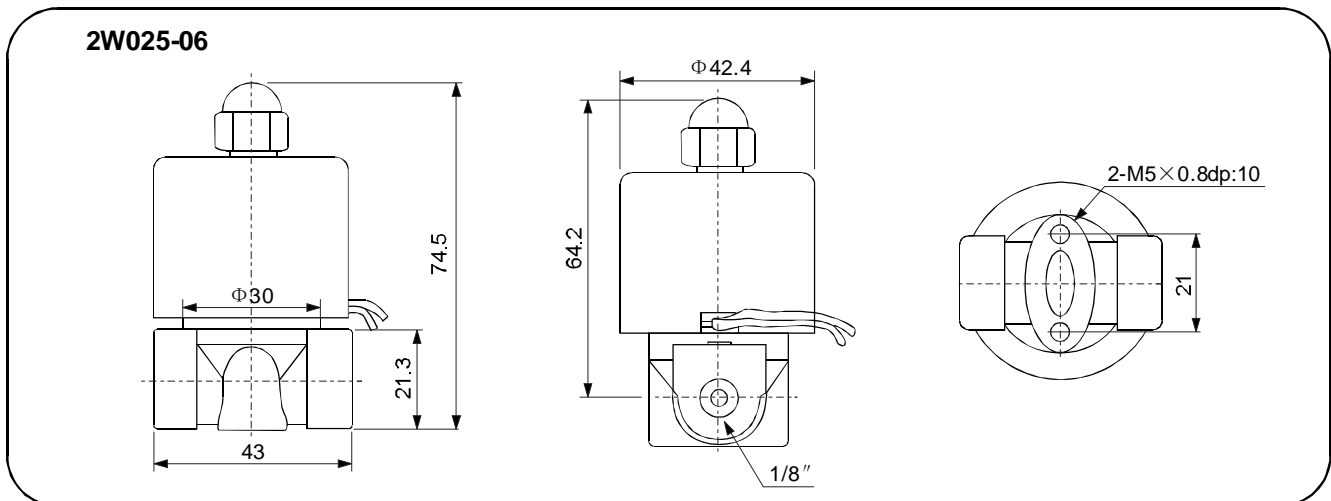
025	2.5mm	040	4.0mm
-----	-------	-----	-------

#### Model

2W	2 port 2 position solenoid valve (direct acting type)
----	---

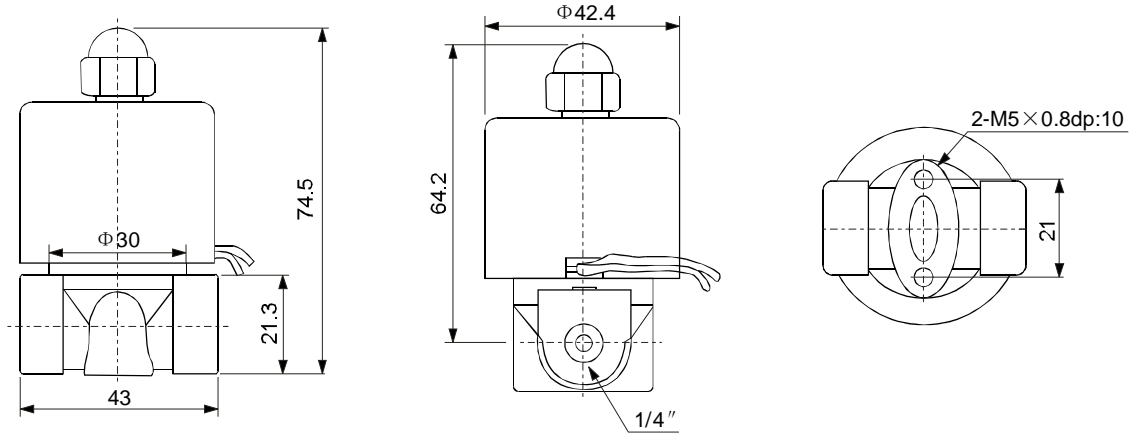
※ Note): Please consult us for other voltage and port size.

### ◆ Dimensions



II

- VF
- SY
- SYJ
- 4V100
- 4V200
- 4V300
- 4V400
- VT307
- VP
- 3V
- 2W**
- 2WH
- 2L
- 2V
- 2P
- VFA
- SYA
- 4A100
- 4A200
- 4A300
- 3A100
- 3A200
- 3A300
- 3L
- 4L
- 4H
- SL,SH
- 4HV
- HV,K
- 3FM
- 3F
- 4F
- FV
- MSV
- MOV
- JM
- TAC
- HSV
- RE
- ASC
- KA
- ACV
- KS
- QE
- Manifold

**◆ Dimensions**
**2W025-08**

**2W040-10**
