

5 Port Foot Pedal Valve

Series 4F

◆ How to Order

4F210 - 08 L

Code

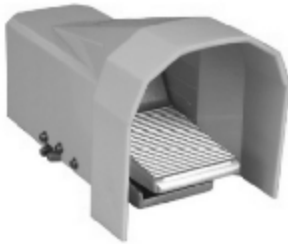
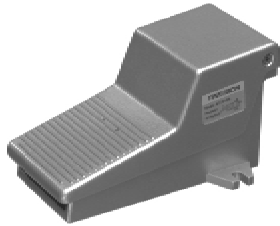
Nil	Standard	G	With cover
L	With lock	LG	With lock and cover

Port size

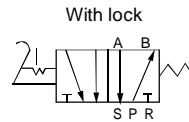
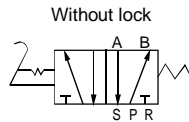
08	1/4
----	-----

Model

4F210	Foot pedal valve 5 port 2 position
-------	------------------------------------



Symbol

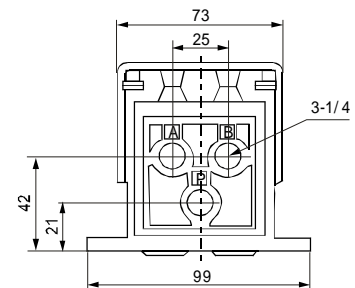
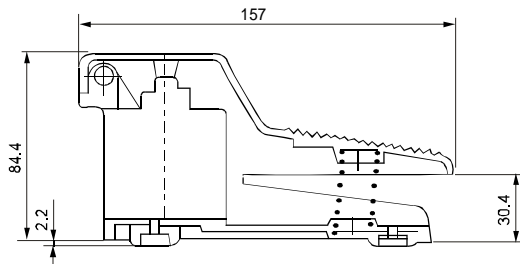


◆ Specifications

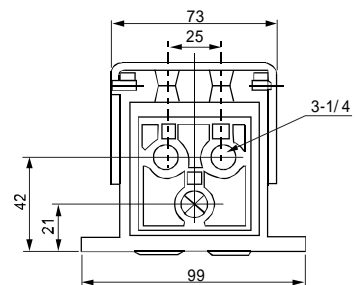
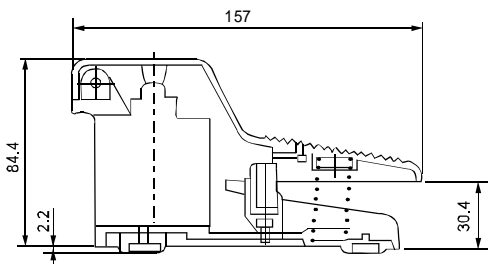
Model	4F210-08	4F210-08L	4F210-08G	4F210-08LG
Fluid	Air			
Type of actuation	5 port 2 position			
Action	Direct			
Port size	In=Out=1/4			
Operating pressure range	0~0.8 MPa			
Ambient and fluid temperature	-5~60°C (No freezing)			
Lubrication	No required			

◆ Dimensions

4F210-08



4F210-08L



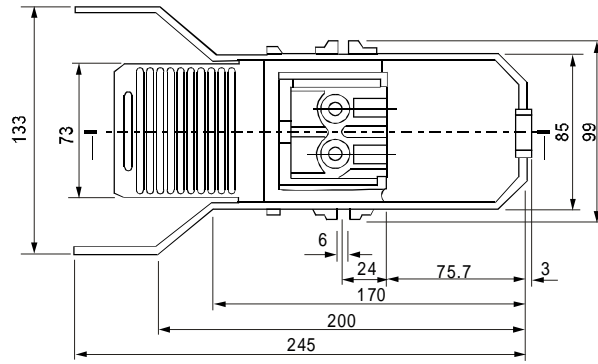
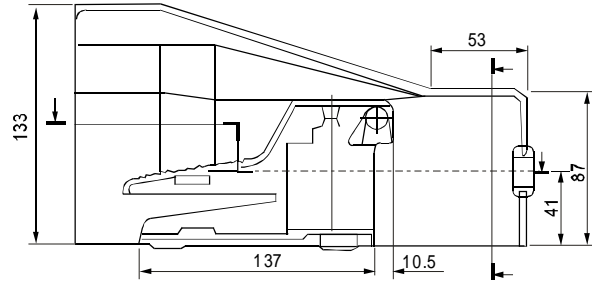
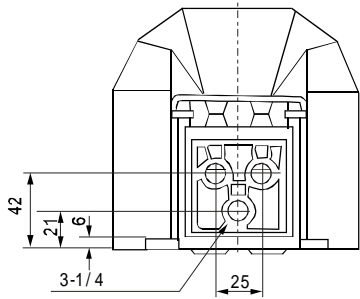
5 Port Foot Pedal Valve

Series 4F

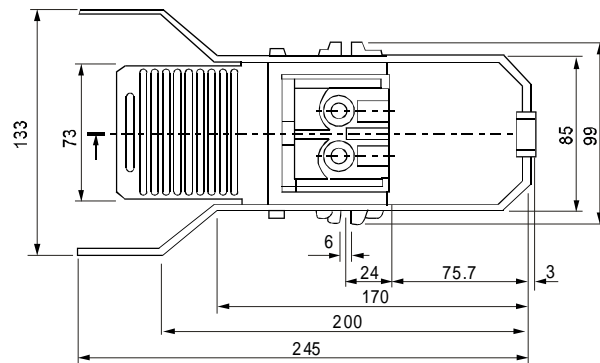
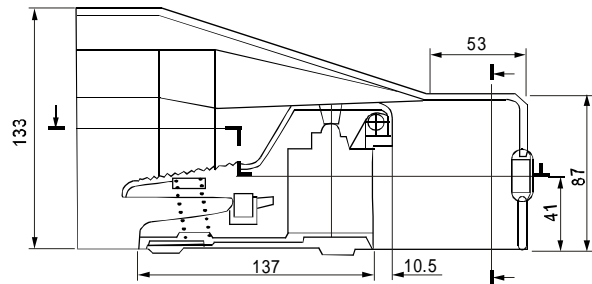
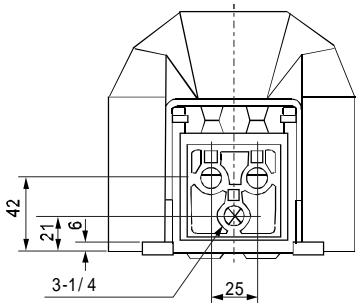
ANSSION
PNEUMATIC & HYDRAULIC

◆ Dimensions

4F210-08G



4F210-08LG



II
VF
SY
SYJ
4V10
4V20
4V30
4V40
VT30
VP
3V
2W
2WH
2L
2V
2P
VFA
SYA
4A10
4A20
4A30
3A10
3A20
3A30
3L
4L
4H
SL,SI
4HV
HV,K
3FM
3F
4F
FV
MSV
MOV
JM
TAC
HSV
RE
ASC
KA
ACV
KS
QE
Manifolc